

Date: _____ Location: _____
 Product: _____ Project: _____
 Quantity: _____ Catalog #: _____

LED LOC-GDHB High Bay Light Series



100W



200W – 250W



Special Order:

- White & Green
- 277-480V models



FEATURES

- IP65 rated
- Optional microwave sensor and emergency backup
- Easy installation and maintenance
- Corrosion and rust proof
- 50,000 hours lifetime

SUITABLE APPLICATIONS

- Warehouses
- Stadiums
- Factories
- Supermarkets
- Logistic Centers
- Exhibition Halls

CONSTRUCTION:

Unique design with built-in sensor. The lens has a spherical design and can emit light evenly. Each product is equipped with a shorting cap which is convenient for customers to replace the sensor.

OPTICAL SYSTEM:

Seoul SMD LED chips. 60° or 120° beam angle options.

WARRANTY:

5-year limited warranty. Actual performance may differ as a result of end-user environment and application.

ELECTRICAL:

Available as 120-347V or 277-480V input. 8FT cord comes standard on 120-347V. 5FT cord comes standard on 277-480V. -40°C to 50°C, -40°F to 122°F

INSTALLATION & MOUNTING:

Hanging hook or U-Bracket.

CONTROLS & DIMMING:

0-10V dimming comes standard. Suitable for use with LED dimmers. Motion sensor and remote-control options available.



120-347V Models – 8FT cord comes standard

MODEL NUMBER – 5,000K	WATTAGE	LUMENS	EFFICACY	CRI	POWER FACTOR	THD	REPLACES
LOC-GDHB-100W50KD-LV[MS;NS]C	100W	15,219LM	153.73LM/W	70	0.8898	16.84%	250W – 400W HID

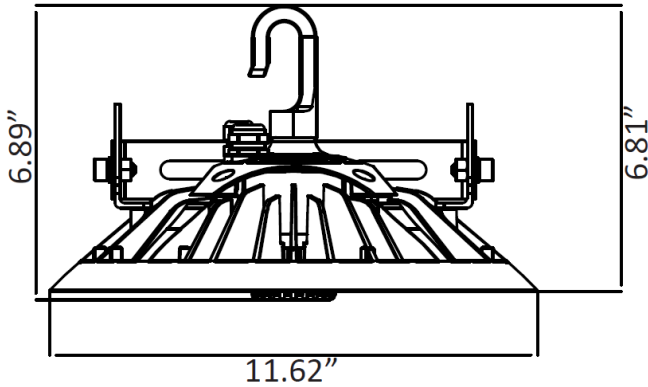
277-480V Models – 5FT cord comes standard

MODEL NUMBER – 5,000K	WATTAGE	LUMENS	EFFICACY	CRI	POWER FACTOR	THD	REPLACES
LOC-GDHB-150W50KD-HV[MS;NS]C	150W	22,845.4LM	147.38LM/W	70	0.942	13.1%	400W – 600W HID
LOC-GDHB-200W50KD-HV[MS;NS]C	200W	30,614.4LM	155.64LM/W	70	0.9246	15.44%	600W – 750W HID
LOC-GDHB-250W50KD-HV[MS;NS]C	250W	37,710.2LM	154.55LM.W	73	0.9456	15.07%	750W – 1,000W HID

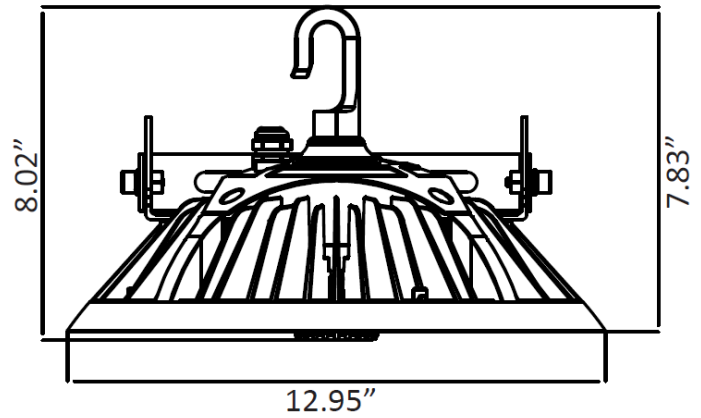
Series	Wattage	CCT Options	Dimming Options	Voltage Options
LOC-GDHB	100W 200W 250W	5,000K	0-10V Dimming Integrated Motion Sensor	LV = 120-347VAC HV = 277-480VAC
Optional	Beam Angle			
MS - Motion Sensor	60° 120°			

MEASUREMENTS (120-347V)

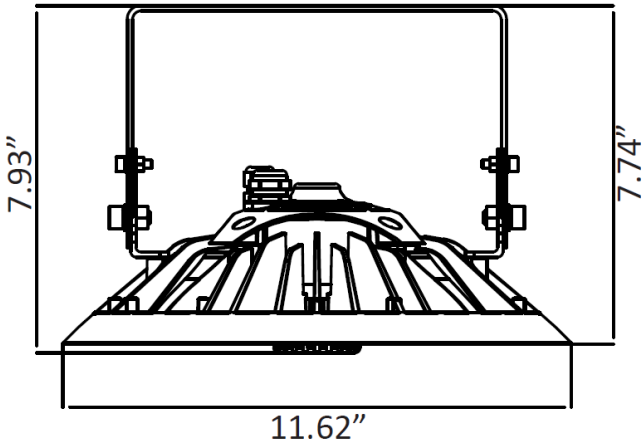
100W w/ Hook



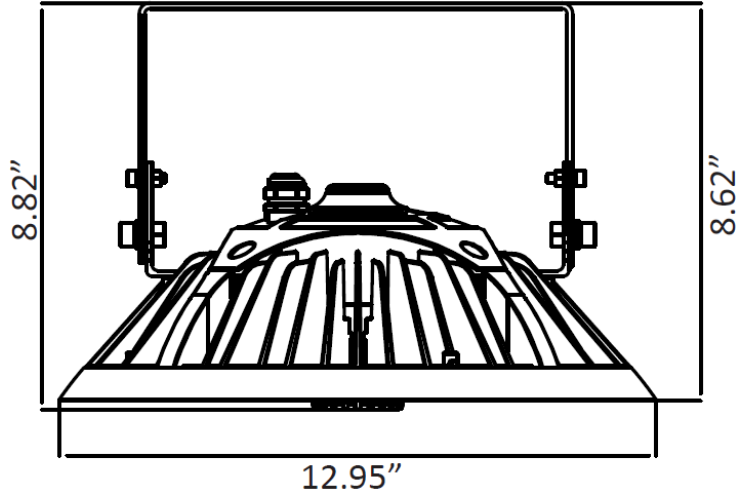
200W – 250W w/ Hook



100W w/ U-Bracket

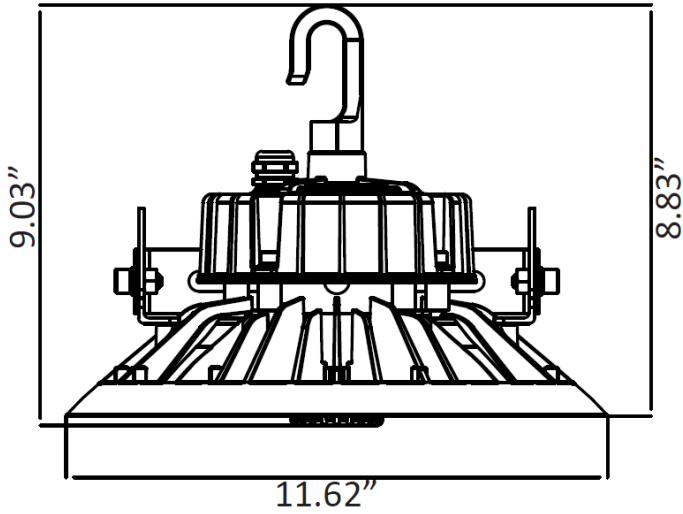


200W – 250W w/ U-Bracket

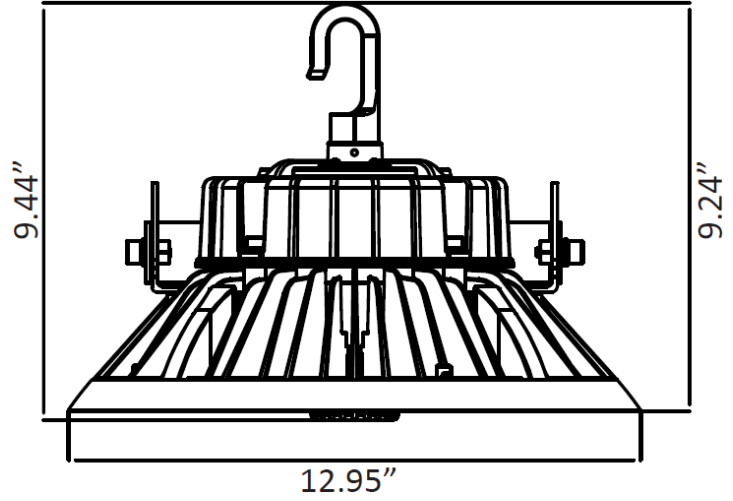


MODEL	QUANTITY	WEIGHT	UPC CODE
LOC-GDHB-100W50KD-LV[MS;NS]C	1	6.20 lbs	00815586028634

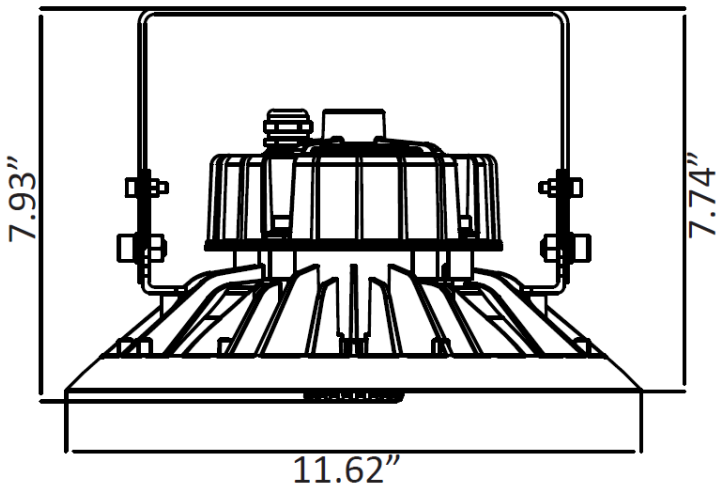
100W – 100W w/ Hook



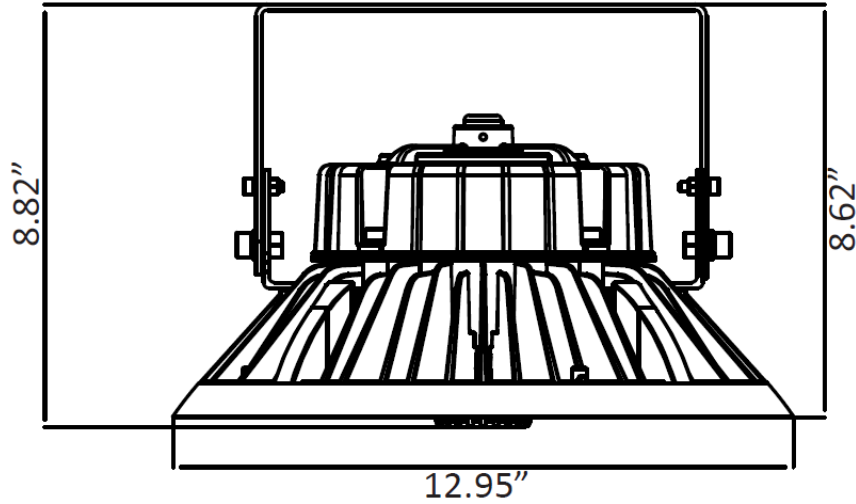
200W – 250W w/ Hook



100W – 100W w/ U-Bracket

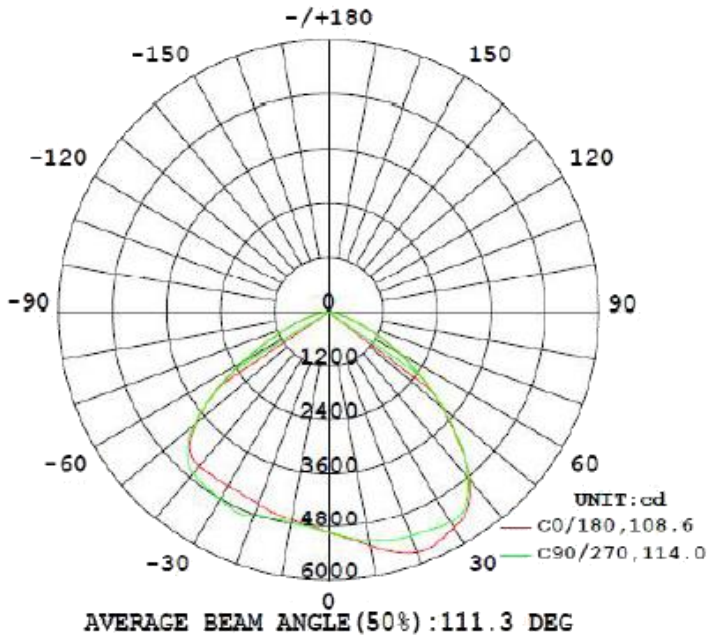


200W – 250W w/ U-Bracket



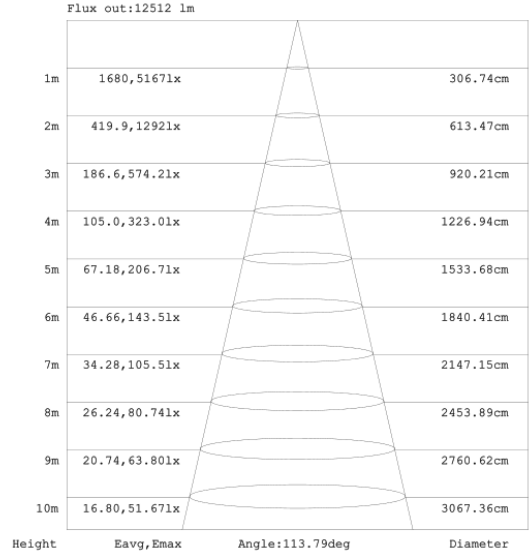
MODEL	QUANTITY	WEIGHT	UPC CODE
LOC-GDHB-150W50KD-HV[MS;NS]C	1	7.05 lbs	00815586029419
LOC-GDHB-200W50KD-HV[MS;NS]C	1	11.68 lbs	00815586029426
LOC-GDHB-250W50KD-HV[MS;NS]C	1	11.68 lbs	00815586029433

100W



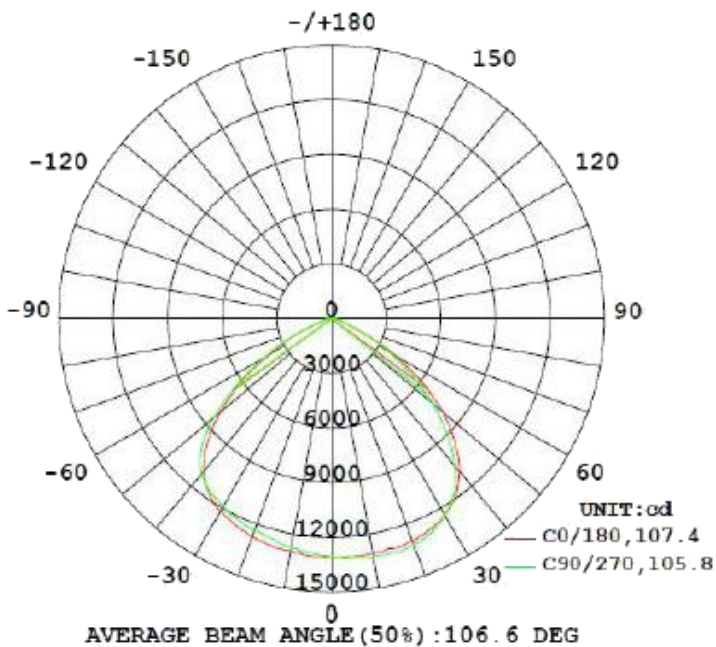
AAI Figure

Test:U:120.11V I:0.8290A P:98.992W PF:0.9942 Freq:60.01Hz Lamp Flux:15032.6x1 lm		
NAME: LED Fixed Luminaire	TYPE:LED	WEIGHT:N/A
SPEC.:N/A	DIM.:	SERIAL No.:N/A
MFR.: LED One Corporation	SUR.:	Shielding Angle:N/A



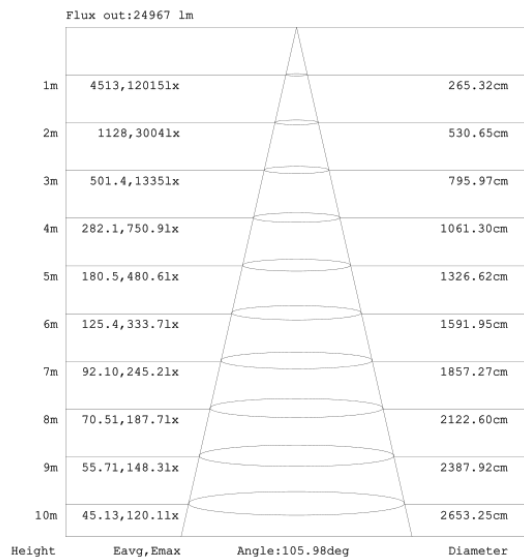
Note: The Curves indicate the illuminated area and the average illumination when the luminaire is at different distance.

200W



AAI Figure

Test:U:120.17V I:1.6828A P:201.76W PF:0.9977 Freq:60.01Hz Lamp Flux:30893.8x1 lm		
NAME: LED Fixed Luminaire	TYPE:LED	WEIGHT:N/A
SPEC.:N/A	DIM.:	SERIAL No.:N/A
MFR.: LED One Corporation	SUR.:	Shielding Angle:N/A

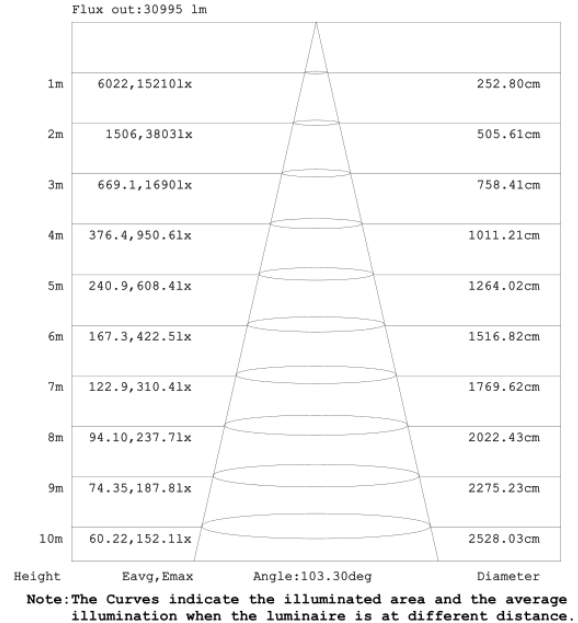
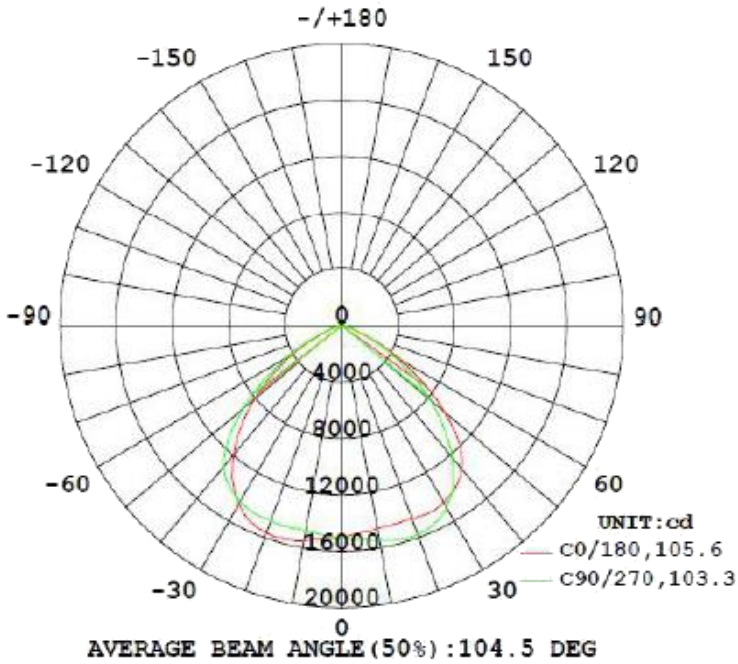


Note: The Curves indicate the illuminated area and the average illumination when the luminaire is at different distance.

250W

AAI Figure

Test:U:120.08V I:2.1233A P:254.36W PF:0.9977 Freq:60.01Hz Lamp Flux:38835.4x1 lm		
NAME: LED Fixed Luminaire	TYPE:LED	WEIGHT:N/A
SPEC.:N/A	DIM.:	SERIAL No.:N/A
MFR.: LED One Corporation	SUR.:	Shielding Angle:N/A



MOUNTING OPTIONS



U-Bracket (optional)



Hook

OPTIONAL ACCESSORIES



Motion Sensor
HD06VCRH
(compatible with remote control)



Remote Control
LOC-GDHB-HD05R



Photocell
HS05
(compatible with remote control)



Emergency Driver
LOC-HBEMDR-25WHV



Reflector