

EXIT SIGN COMBO Series Installation Guide

SAFETY INSTRUCTIONS: Read instructions carefully before attempting to install fixture.

- All wiring should be performed by a qualified electrician.
- Disconnect power before installing or servicing. This fixture must be wired in accordance with the National Electrical Code and applicable local codes and ordinances.
- Proper grounding is required to ensure personal safety.
- Do NOT use this equipment for other than its intended use.

CAUTION: Risk of fire

- **WARNING:** Make certain power is OFF before installing or maintaining fixture. No user serviceable parts inside.
- **WARNING:** When re-lamping, only use lamps specified in the exit sign. Using other lamp types may result in transformer damage or unsafe conditions.
- **WARNING:** Battery in this unit may not be fully charged. After electricity is hooked up to the unit, let the battery charge for at least 24 hours. Then normal operation of this unit should take effect (when applicable).
- **WARNING:** Equipment should be mounted in locations and at heights where it will not be subject to tampering by unauthorized personnel. Maximum mounting height is 12.9FT (3.9m). Flexible conduit only.
- **WARNING:** Do NOT use outdoors.
- **WARNING:** Do NOT mount near gas or electric heaters.

CLEANING & MAINTENANCE:

CAUTION: Be sure the fixture temperature is cool enough to touch. Do NOT clean or maintain while the fixture is energized.

1. Clean lens with non-abrasive cleaning solution.
2. Do NOT open fixture to clean the LED. Do NOT touch the LED.

Note: These instructions do not cover all details or variation in equipment, nor do they provide for every possible situation during installation, operation or maintenance.

BATTERY:

- The battery supplied with the battery backup model does not require maintenance. However, it should be tested periodically (see Testing below) and replaced when it no longer operates the connected fixtures for the duration of a 30-second or 90-minute test. The battery supplied in this equipment has a life expectancy of 3 years when used in a normal ambient temperature of 72°F.

TESTING:

- National Electric Code (NEC) and NFPA life safety code regulations require that routine tests need to be performed as listed below:
 - Once every month, the unit needs to be tested for a duration of 30-seconds.
 - Push in and hold the test switch to perform this test.
 - Once every 12 months, a full 90-minute (per UL requirements) test needs to be performed on the unit.
 - Disconnect the power to the unit and leave it in the emergency mode.
 - The LEDs should stay ON for at least 90 minutes.

MOUNTING OPTIONS:

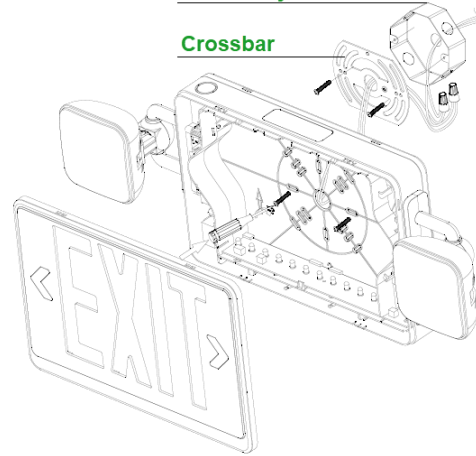
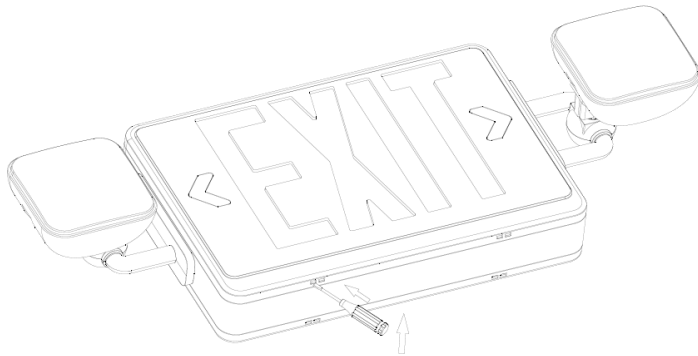
• WALL MOUNTING:

- A. Open the front cover using a flat screwdriver.
- B. Knockout appropriate mount screw hole and cable hole. Mount the back plate on the wall after feed building AC supply cable into the back plate. Attach the crossbar to the junction box.
- C. Make electrical connections inside the J-box. Cap unused wires.
 - For 120V, use the BLACK and WHITE wires.
 - For 277V, use the RED and WHITE wires.
- D. Feed excess wire into junction box and secure the back plate to the junction box.
- E. Secure faceplate to housing and remove the proper chevron(s) as requested.

WALL MOUNT

Electrical junction box installed on the wall

Crossbar



• CEILING MOUNTING: (Top Mount or Side Mount)

- A. Open the front cover using a flat screwdriver.
- B. Remove the mounting hole cover on the top of side of the unit. Assemble the canopy and attach the crossbar to the junction box.

• TOP MOUNT:

- a. Make electrical connections inside the J-box. Cap unused lead with wire nuts provided.
 - For 120V, use the BLACK and WHITE wires.
 - For 277V, use the RED and WHITE wires.
- b. Feed excess wire into the junction box and secure the back plate to the junction box canopy to crossbar so that the canopy is securely fastened and tight against the ceiling.
- c. Attach the battery connector to the PCB board (applicable) and restore the front cover on unit.
- d. Secure the faceplate to housing and remove the proper chevron(s) as requested.

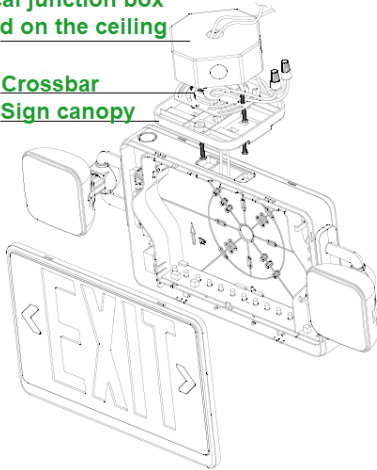
• SIDE MOUNT:

- a. Open the front cover using a flat screwdriver.
- b. Disconnect the wires and remove one of the lamps from the housing. Configure the removed lamp to the desired location or discard the lamp head once removed per request and attach the crossbar to the junction box.
- c. Make electrical connections inside the J-box. Cap all unused wires.
 - For 120V, use the BLACK and WHITE wires.
 - For 277V, use the RED and WHITE wires.
- d. Feed excess wire into the junction box and secure the back plate to the junction box canopy to crossbar so that the canopy is securely fastened and tight against the wall.
- e. Attach the battery connector to the PCB board (applicable) and restore the front cover on unit.
- f. Secure the faceplate to housing and remove the proper chevron(s) as requested.

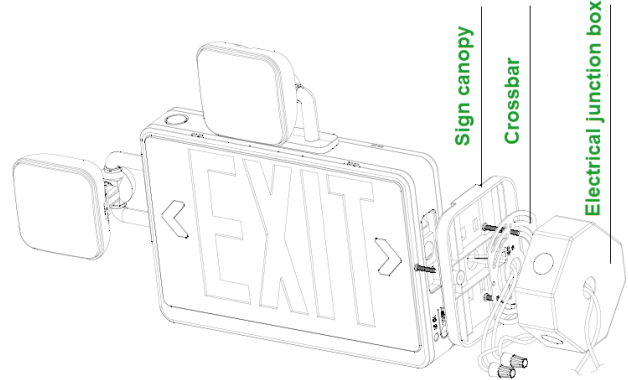
TOP MOUNT

Electrical junction box installed on the ceiling

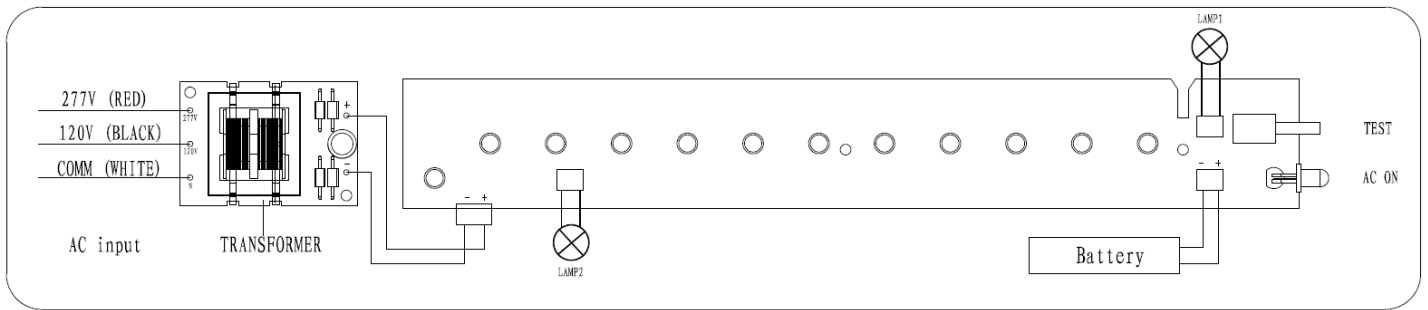
Crossbar
Sign canopy



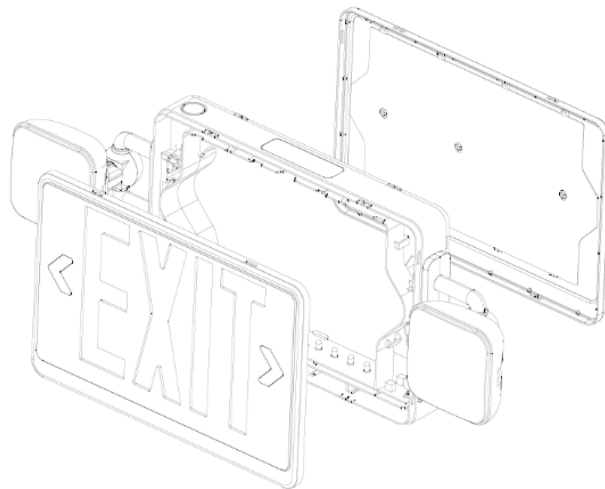
SIDE MOUNT



Electrical junction box installed on the wall



- **DOUBLE FACE INSTALLATION:** (For ceiling and side mounting only)



- **ASSEMBLING CANOPY TO HOUSING:**

- A. Insert canopy into housing and press until the canopy are firmly attached to the housing.
 - **CAUTION:** trying to remove the canopy after it is locked in place may cause damage.
- B. Manual battery test switch
 - Red AC power indicator (indicates normal operation)

