



MW MCCT Troffer Series Installation Guide

SAFETY INSTRUCTIONS: Read instructions carefully before attempting to install fixture.

- All wiring should be performed by a qualified electrician.
- Disconnect power before installing or servicing. This fixture must be wired in accordance with the National Electrical Code and applicable local codes and ordinances.
- **CAUTION:** Do NOT use this product for other than intended use. To prevent early product failure, luminaire should only be used in operating environments ranging from -20°C (-4°F) to 40°C (104°F).
- All wiring is recommended to be capped with UL approved wire connectors.
- **CAUTION:** Wear gloves and safety goggles always when removing luminaire from carton, installing, servicing or performing maintenance.
- Avoid direct eye exposure to the light source while it is on.
- Account for small parts and dispose packing material as these may be hazardous to children.

CAUTION: Risk of fire

- **WARNING:** Make certain power is OFF before installing or maintaining fixture. No user serviceable parts inside.
- **WARNING:** Turn off electrical power at fuse or circuit breaker box before wiring the luminaire to the power supply.
- **WARNING:** Verify that the voltage is correct by comparing it with the luminaire label information.
- **WARNING:** Keep combustible and other materials that can burn away from luminaire.
- **WARNING:** Minimum 90°C supply conductors.

CLEANING & MAINTENANCE:

CAUTION: Be sure the fixture temperature is cool enough to touch. Do NOT clean or maintain while the fixture is energized.

1. Clean glass lens with non-abrasive cleaning solution.
2. Do NOT open fixture to clean the LED. Do NOT touch the LED.

Note: These instructions do not cover all details or variation in equipment, nor do they provide for every possible situation during installation, operation or maintenance.

TROUBLESHOOTING:

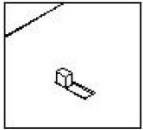
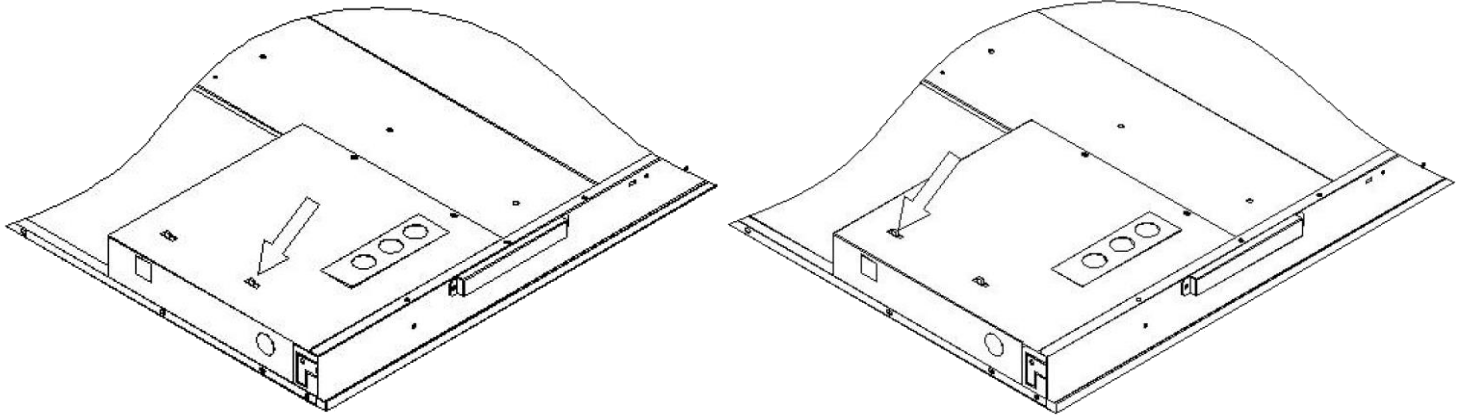
1. Check that the line voltage at fixture is correct. Refer to wiring directions.
2. Be sure the fixture is grounded properly.

OPERATING:

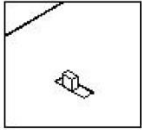
- Voltage Input: 120-277V 50/60Hz
- Operating Temperature: -20°C (-4°F) to 40°C (104°F)

Multi Wattage Multi CCT Troffer Series Installation

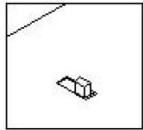
WATTAGE & COLOR TEMPERATURE SELECTION:



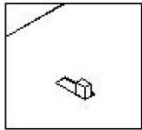
1x4: 15W
2x2: 15W
2x4: 24W



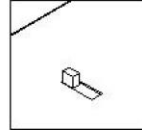
1x4: 19W
2x2: 19W
2x4: 29W



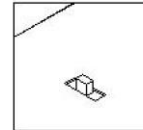
1x4: 24W
2x2: 24W
2x4: 32W



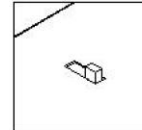
1x4: 29W
2x2: 29W
2x4: 39W



3,500K



4,000K



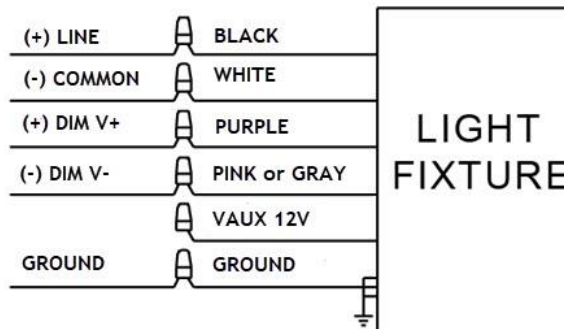
5,000K

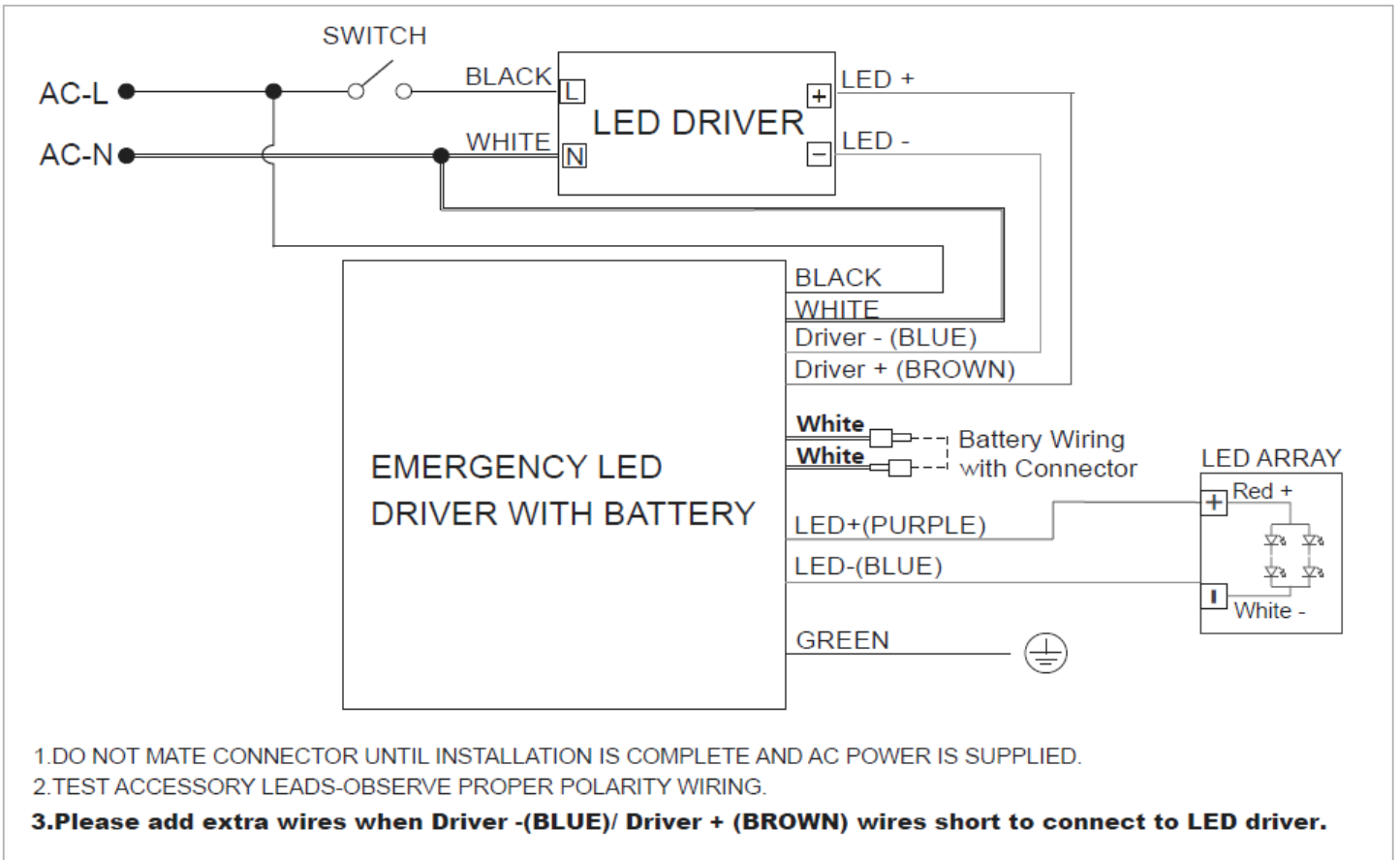
INSTALLATION FOR EMERGENCY BATTERY TO FIXTURE:

1. Open the driver box.
2. Connect the **WHITE** connector between the battery and emergency driver.
3. Seal the driver box.
4. Test the battery switch after the wiring is complete. (see wiring instructions below)

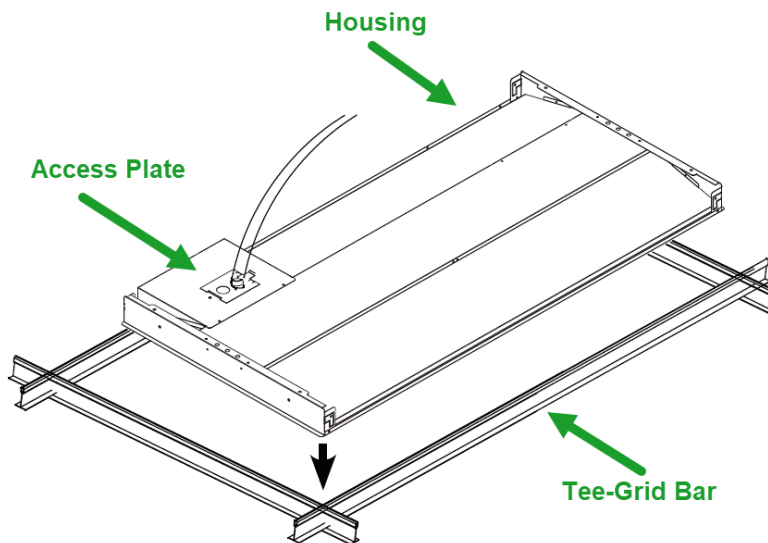
WARNING: ALL units must be individually connected to the AC supply.

5. Connect the **BLACK** fixture lead to the **LINE** supply lead.
6. Connect the **WHITE** fixture lead to the **COMMON** supply lead.
7. Connect the **GROUND** wire from fixture to **SUPPLY** ground.





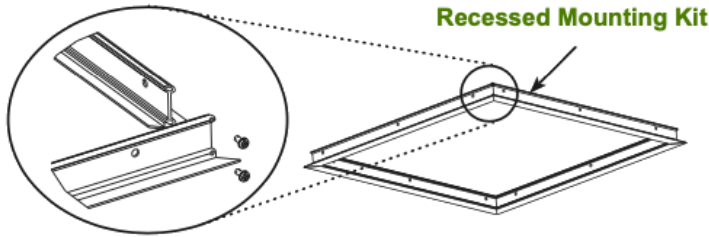
RECESSED MOUNTING GUIDE: WARNING: Recessed kit must be independently supported to building structure.



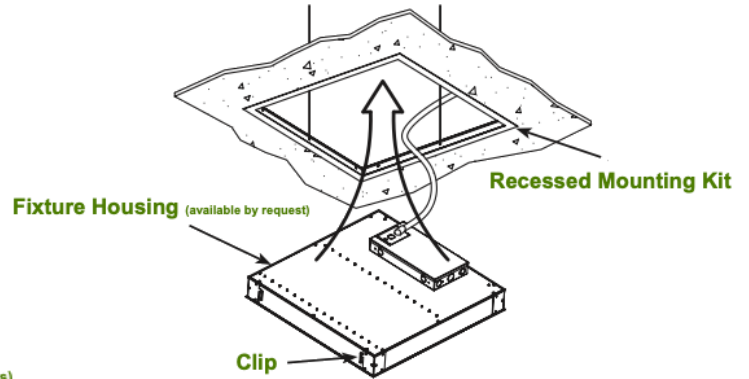
Multi Wattage Multi CCT Troffer Series Installation

RECESSED MOUNTING GUIDE: WARNING: Recessed kit must be independently supported to building structure.

1. Assemble the four pieces of the recessed kit with the screws provided.
2. Support the recessed kit to the building structure by hanger wires (provided by others), alternatively screw to the wood blocking (provided by others) or black iron (provided by others).
3. Bend the pre-installed clips (4) flat to the fixture housing.
4. Follow wiring directions on the fixture installation guide to complete electrical splices.
5. Rotate and slide the fixture as required to fit through the drywall opening as indicated by the directional arrow figure. Place it on the drywall.

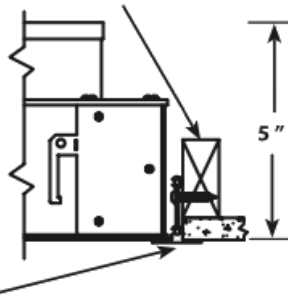
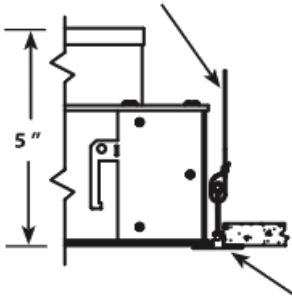


Recessed Mounting Kit

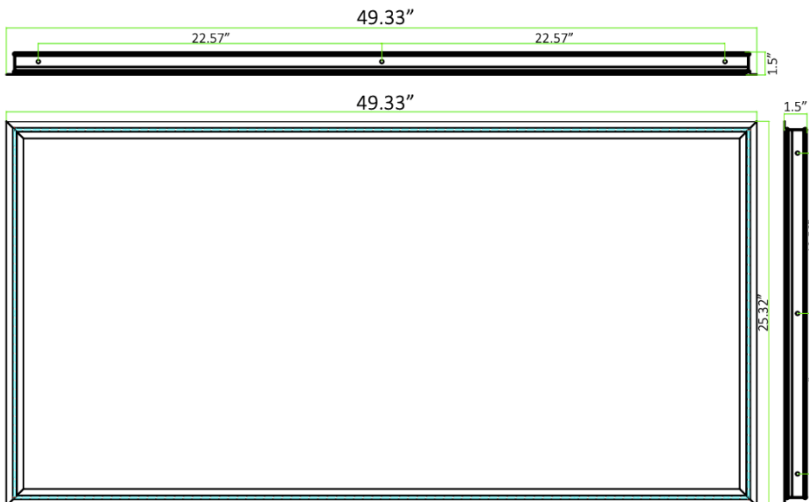
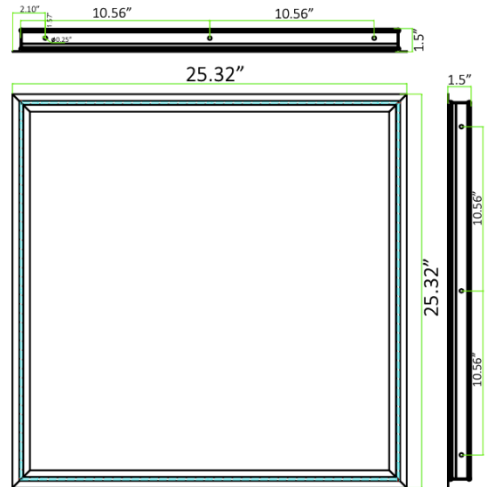
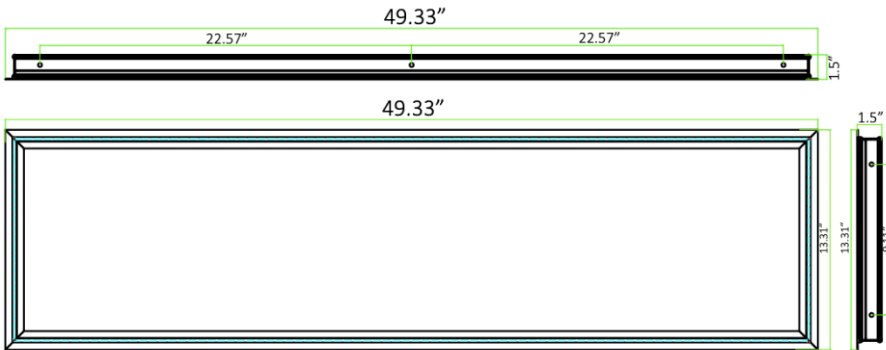


Hanging Wires (provided by others)

Wood Blocking (provided by others)



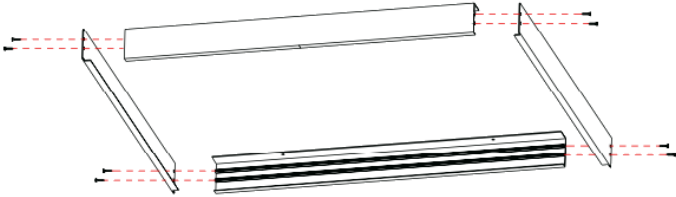
Recessed Mounting Kit



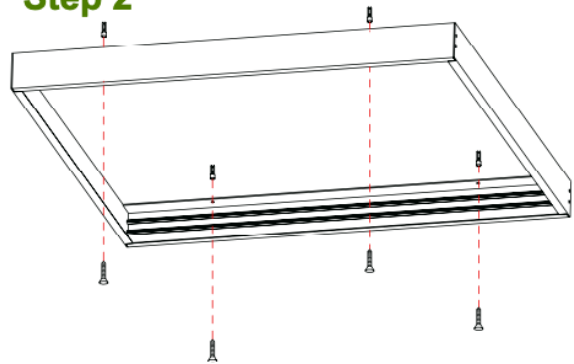
SURFACE MOUNTING GUIDE:

1. Assemble the 4 pieces of frame together and connect them with screws.
2. Place the frame onto the wall with screws.
3. Dismantle 1 piece of the frame and slide the LED fixture into the frame.
4. Re-attach the 1 piece removed in Step 3.

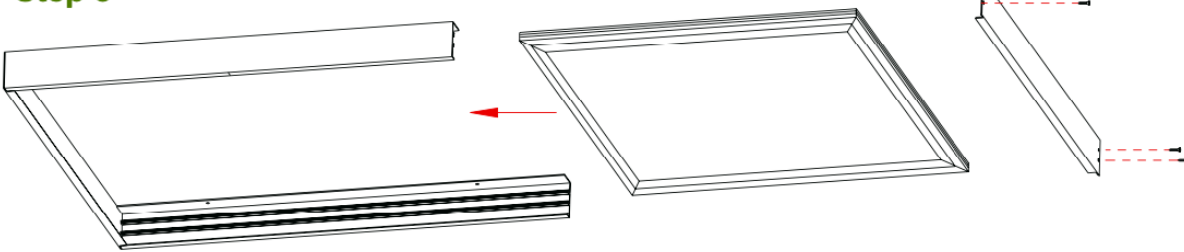
Step 1



Step 2



Step 3



Step 4

