

LEDone®

Surface Mounting Kit Installation Guide

SAFETY INSTRUCTIONS: Read instructions carefully before attempting to install fixture.

- All wiring should be performed by a qualified electrician.
- Disconnect power before installing or servicing. This fixture must be wired in accordance with the National Electrical Code and applicable local codes and ordinances.
- Proper grounding is required for safety.

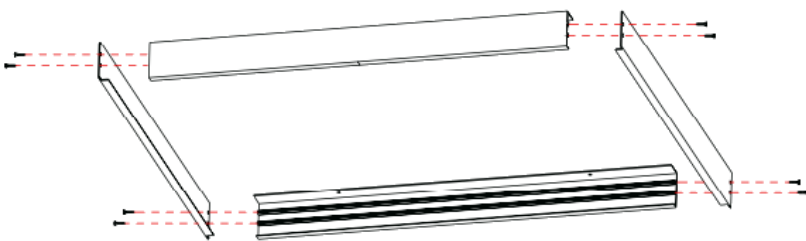
CAUTION: Risk of fire

- **WARNING:** Make certain power is OFF before installing or maintaining fixture. No user serviceable parts inside.
- **WARNING:** Install recessed kit and fixture per local codes.
- **WARNING:** Do NOT handle energized fixture when hands are wet, when standing in wet or damp surfaces or water.
- **WARNING:** Do NOT mount near flammable materials or any heat.
- **WARNING:** Do NOT let power cords touch the hot surface.
- **Fixture is for indoor and dry location only!!**

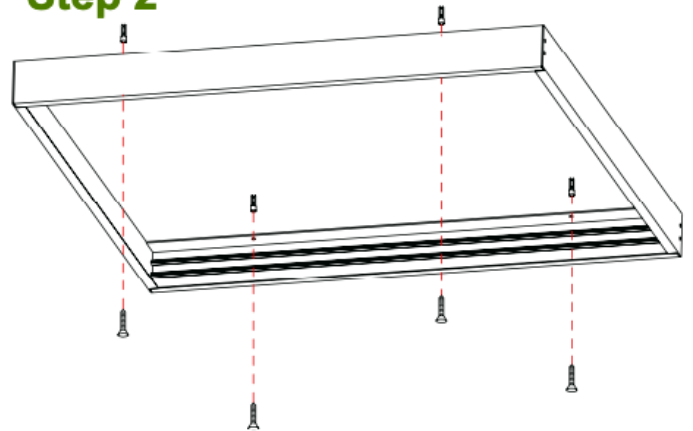
SURFACE MOUNTING GUIDE:

1. Assemble the 4 pieces of frame together and connect them with screws.
2. Place the frame onto the wall with screws.
3. Dismantle 1 piece of the frame and slide the LED fixture into the frame.
4. Re-attach the 1 piece removed in Step 3.

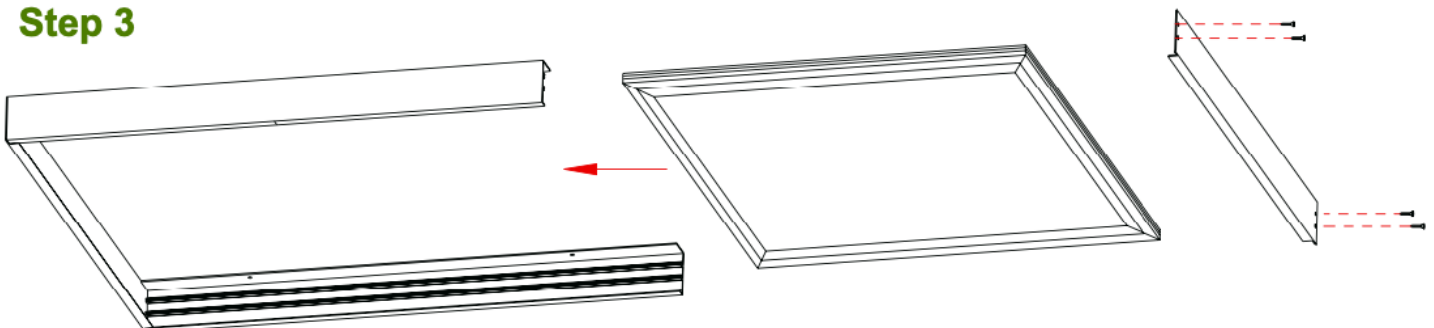
Step 1



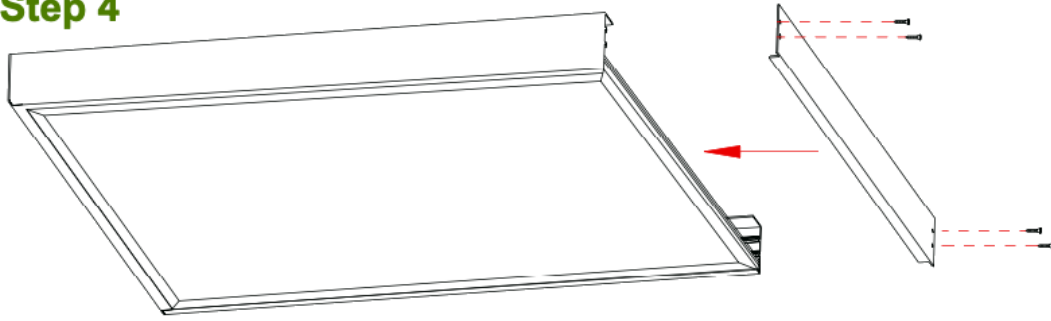
Step 2



Step 3



Step 4



Suitable for LOC-BLPL and LOC-TROF series

- 1x4
- 2x2
- 2x4

