

LEDone®

Recessed Mounting Kit Installation Guide

SAFETY INSTRUCTIONS: Read instructions carefully before attempting to install fixture.

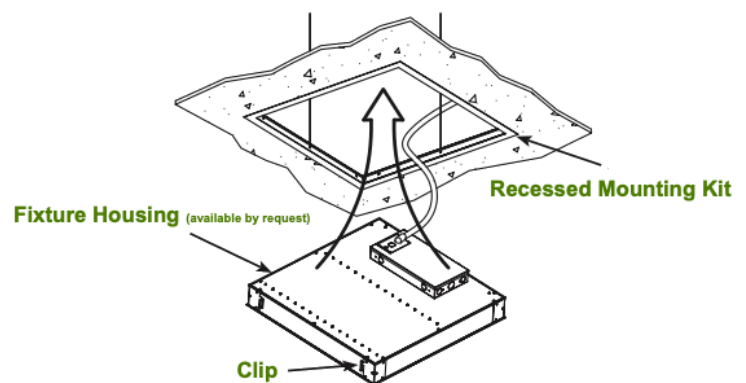
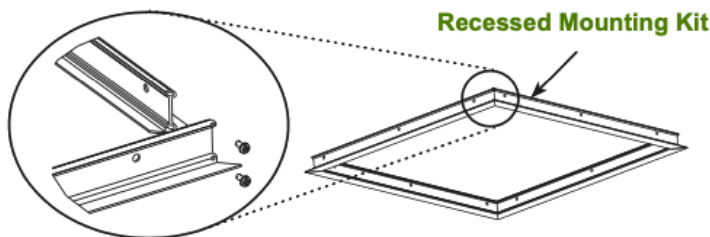
- All wiring should be performed by a qualified electrician.
- Disconnect power before installing or servicing. This fixture must be wired in accordance with the National Electrical Code and applicable local codes and ordinances.
- Proper grounding is required for safety.
- Suitable for installation in sheet rock / plasterboard in both insulated ceilings and non-insulated ceilings.
Not for continuous row mounting.

CAUTION: Risk of fire

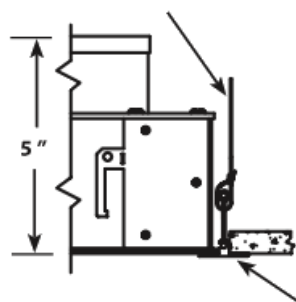
- **WARNING:** Make certain power is OFF before installing or maintaining fixture. No user serviceable parts inside.
- **WARNING:** Install recessed kit and fixture per local codes.
- **WARNING:** Do NOT handle energized fixture when hands are wet, when standing in wet or damp surfaces or water.
- **WARNING:** Vapor barrier must be suitable for 90°C.
- **WARNING:** Recessed kit must be independently supported to building structure.

RECESSED MOUNTING GUIDE:

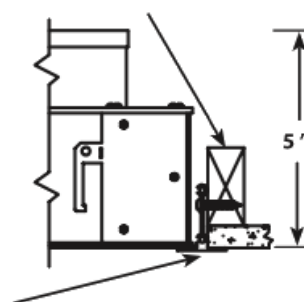
1. Assemble the four pieces of the recessed kit with the screws provided.
2. Support the recessed kit to the building structure by hanger wires (provided by others), alternatively screw to the wood blocking (provided by others) or black iron (provided by others).
3. Bend the pre-installed clips (4) flat to the fixture housing.
4. Follow wiring directions on the fixture installation guide to complete electrical splices.
5. Rotate and slide the fixture as required to fit through the drywall opening as indicated by the directional arrow figure. Place it on the drywall.



Hanging Wires (provided by others)



Wood Blocking (provided by others)



Recessed Mounting Kit

