

# LEDone®

## LOD-KFL Series Installation Guide



### SAFETY INSTRUCTIONS: Read instructions carefully before attempting to install fixture.

- All wiring should be performed by a qualified electrician.
- Disconnect power before installing or servicing. This fixture must be wired in accordance with the National Electrical Code and applicable local codes and ordinances.
- Proper grounding is required to ensure personal safety.
- This fixture is for outdoor use and should not be used in areas with limited ventilation or high ambient temperatures.

### CAUTION: Risk of fire

- **WARNING:** Make certain power is OFF before installing or maintaining fixture. No user serviceable parts inside.

### CLEANING & MAINTENANCE:

CAUTION: Be sure the fixture temperature is cool enough to touch. Do NOT clean or maintain while the fixture is energized.

1. Clean glass lens with non-abrasive glass cleaning solution.
2. Do NOT open fixture to clean the LED. Do NOT touch the LED.

Note: These instructions do not cover all details or variation in equipment, nor do they provide for every possible situation during installation, operation or maintenance.

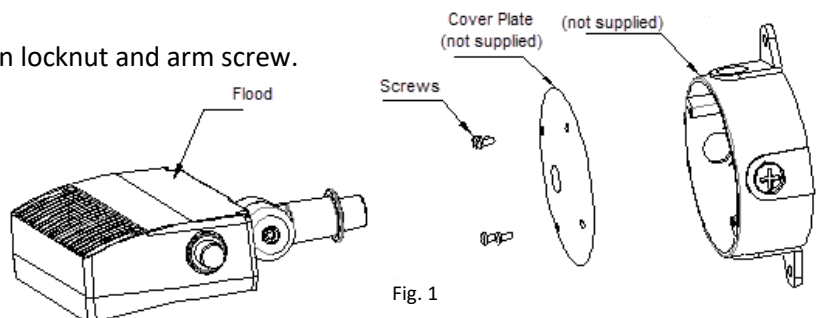
### TROUBLESHOOTING:

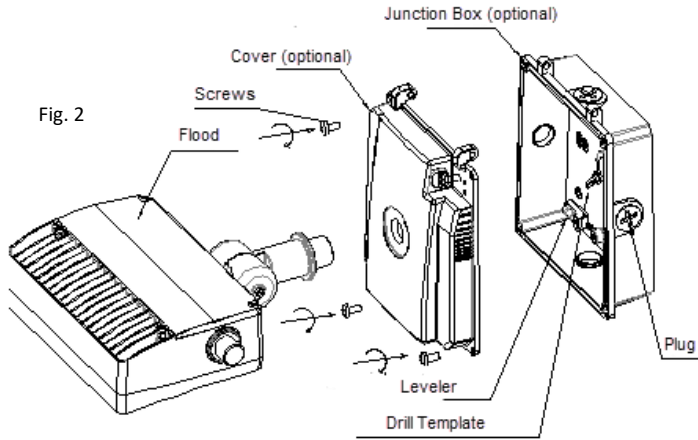
1. Check that the line voltage at fixture is correct. Refer to wiring directions.
2. Check that the fixture is grounded properly.

### JUNCTION BOX MOUNTING:

Mount to a weatherproof junction box and cover plate (not supplied) as shown in Fig. 1 and Fig. 2. To ensure weatherproof seal, apply weatherproof silicone sealant to the back of the junction box. This is especially important with an uneven wall surface.

1. Thread fixture into cover plate. Seal arm thread using Teflon tape or silicone sealant.
2. Connect wires correctly.
3. Attach cover to junction box.
4. Aim floodlight in the direction desired and tighten locknut and arm screw.





## GROUND MOUNTING:

Mount to a pole as shown in Fig. 3.

1. Thread fixture into pole cap.
2. Connect wires correctly.
3. Place post cap on the pole.
4. Aim floodlight in the direction desired and tighten locknut and arm screw.

## TRUNNION MOUNTING:

CAUTION: UL and C UL listed or CSA certified liquid tight cord grip suitable for use with three conductor type STW flexible cord shall be used for connection to a wet location outlet box provided by others.

To adjust the angle of the fixture using the trunnion shown in Fig. 4:

1. Loosen the pivot bolts and angle locking screw.
2. Adjust the fixture to the desired angle.
3. Tighten pivot bolts and angle locking screw.

## WIRING:

Universal voltage driver permits operation at 120V through 277V, 50/60Hz except fixtures factory ordered with a (PC).

1. Connect the BLACK fixture lead to the (+) LINE supply lead.
2. Connect the WHITE fixture lead to the (-) COMMON supply lead
3. Connect the GROUND wire from fixture to the supply ground.

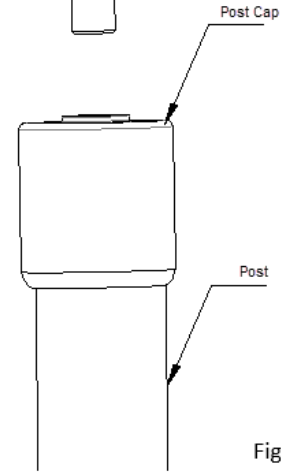
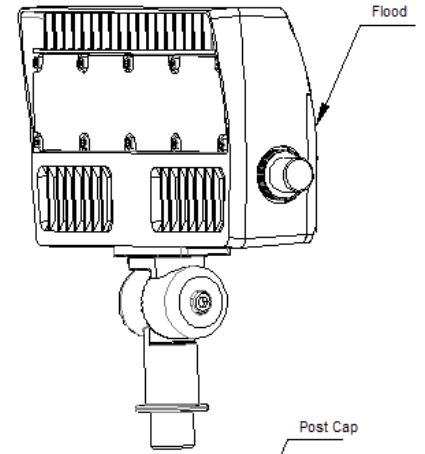


Fig. 3

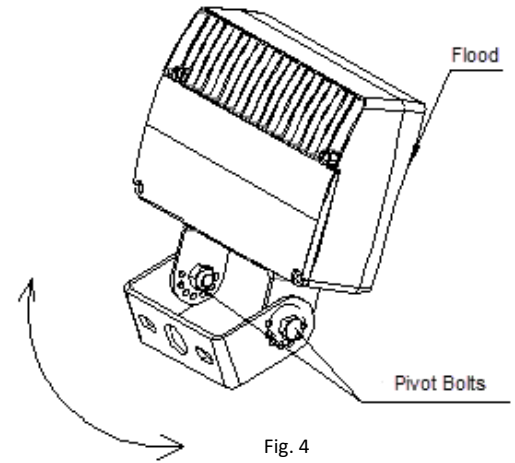
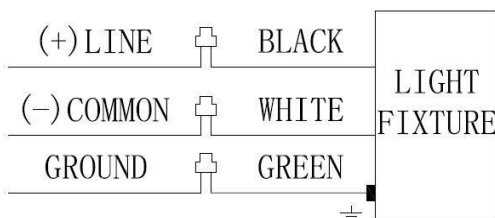
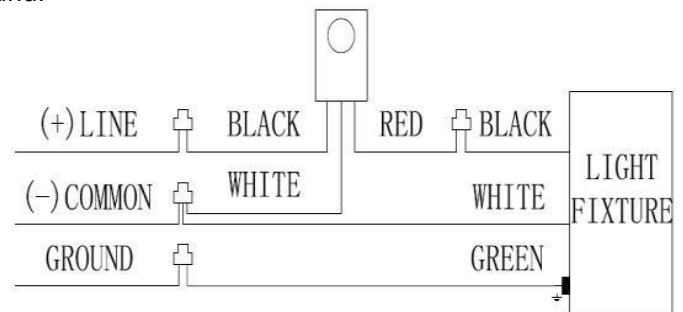


Fig. 4



Without photocell



With photocell