

Edge Lit Flat Panel Installation Instructions

LEDone[®]

IMPORTANT

READ INSTRUCTIONS CAREFULLY BEFORE INSTALLING. KEEP THESE INSTRUCTIONS FOR FUTURE REFERENCE.

ProLED luminaires must be wired in accordance with the National Electrical Code and all applicable local codes. Proper grounding is required for safety.

THIS PRODUCT MUST BE INSTALLED IN ACCORDANCE WITH THE APPLICABLE INSTALLATION CODE BY A QUALIFIED ELECTRICIAN WHO IS FAMILIAR WITH THE CONSTRUCTION AND OPERATION OF THE PRODUCT AND THE HAZARDS INVOLVED.

WARNING - Risk of fire or electric shock. ProLED Panel Light installation requires knowledge of luminaires and electrical systems. If not qualified, DO NOT attempt installation. Contact a qualified electrician.

WARNING - Risk of fire or electric shock. Suitable for damp locations. Make sure the power is off prior to installation.

WARNING - Risk of fire or electric shock. Suitable for flat T-Grid in non-insulated ceilings. Access above ceiling required. DO NOT cover fixture with insulation liner or similar material.

WARNING - DO NOT install in unstable, loose or easily breakable surfaces.

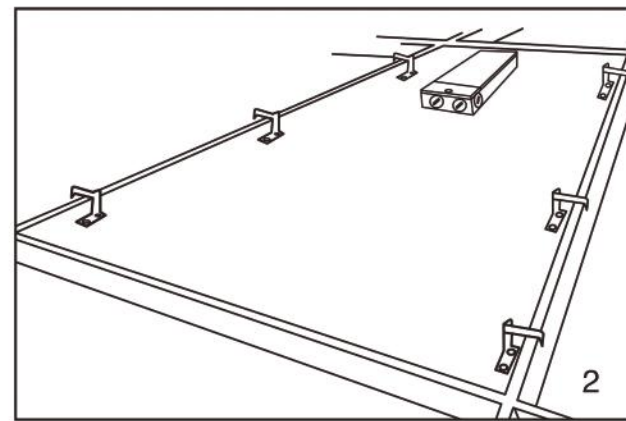
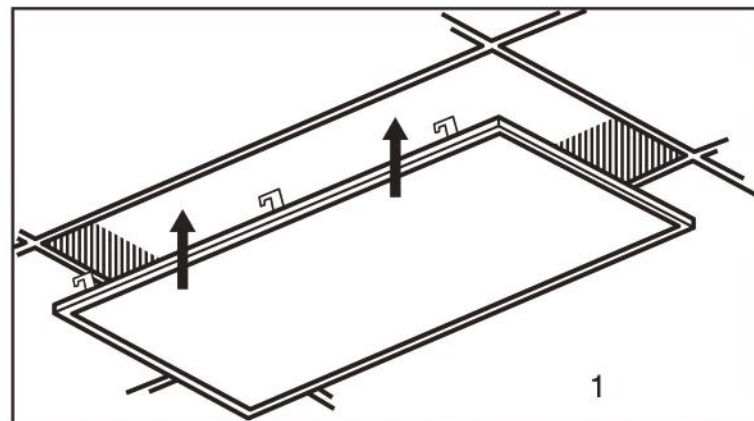
WARNING - DO NOT let objects impact or exert force on the surface of the luminaire.

Warranty Information:

This product is warranted for 5 years from the date of purchase. If this product does not perform to the specifications supplied on this package, send an email or write to the address below for product return and replacement. This replacement is the sole remedy available. Liability for incidental or consequential damage is expressly excluded. Visit www.halcolighting.com for full warranty details.

Installation Steps:

1. Make sure the POWER IS TURNED OFF at the source to the location at which you are installing the product.
2. Remove existing panel if applicable.
3. Before installing the panel in the ceiling, pull up the safety hooks on the back of the luminaire (Fig. 1)
4. Insert the panel into the ceiling so it rests securely on the T-grid. Bend each safety hook 90° so they extend over the T-grid on both sides of the fixture. (Fig. 2)



Installation Steps:

5. Unscrew and remove the cover plate from the driver box. (Fig. 3)
6. Insert power supply using appropriate electrical fittings. Insert BLACK wire (Line) from the power supply into the wiring terminal marked with L. Insert the WHITE wire (Neutral) from the power supply into the wiring terminal marked with N. Connect the green wires (ground) together. (fig. 4)
7. For 0-10V dimming circuits, wire the grey (-) and purple (+) wires to the corresponding wiring terminals marked with GND (Grey) and 0-10V (Purple). (fig. 4)
8. For thru-wiring to another luminaire, utilize the second set of terminals marked "L" and "N" in the same manner detailed in step 6.
9. Reattach cover plate to driver box after wiring.

Ceiling Designation	Fixture Dimensions: in. (mm)
2x2'	600x600x46mm
2x4'	600x1210x46mm

