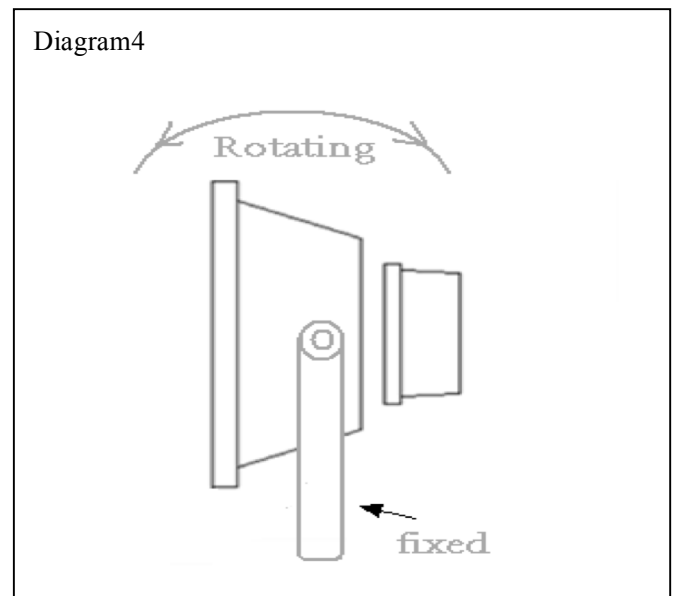
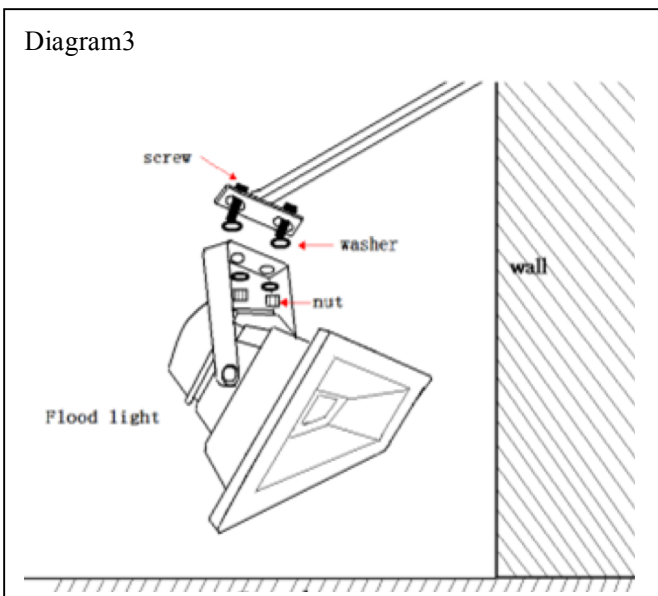
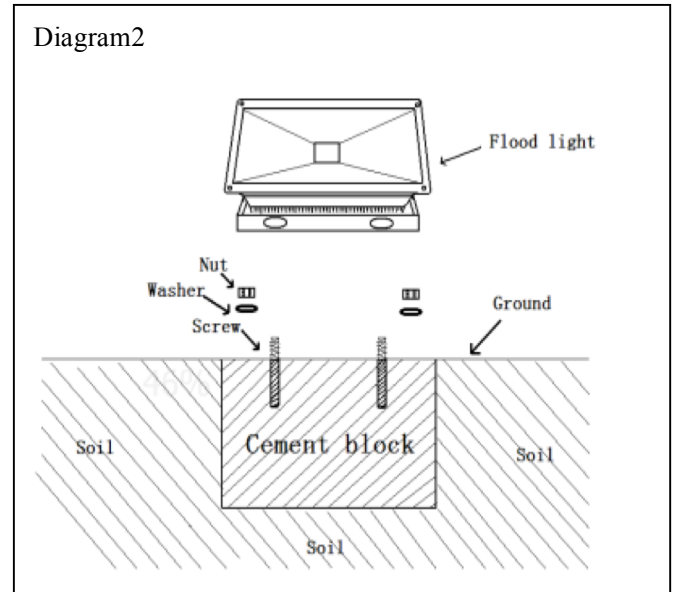
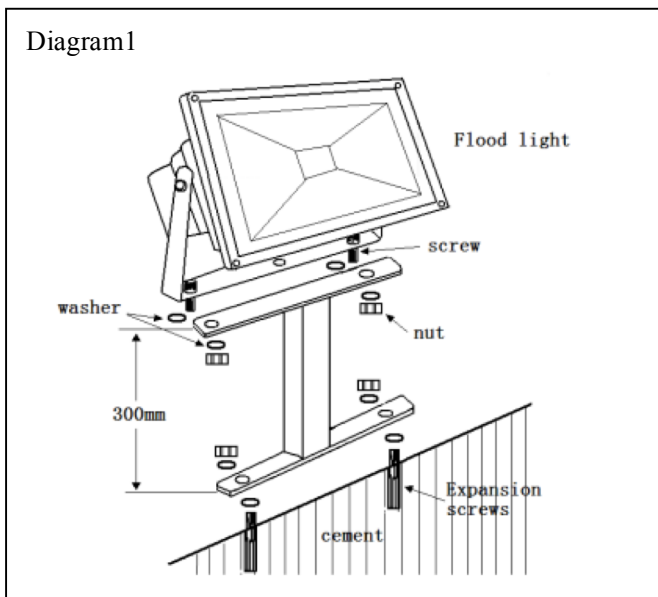


LED Retrofit Instructions:



DANGER! RISK OF SHOCK! DISCONNECT POWER BEFORE INSTALLATION!

- 1、 Before installation, please check the installation guide as Diagram1, Diagram 2 and Diagram 3 shows.
- 2、 Please fix the stands of the fixtures on the mounting holes and lock the stands by screws.
- 3、 Ensure the luminous direction is down. just like Diagram 4 shows.
- 4、 IP grade: IP65
- 5、 Switch on power
- 6、 Please see attach connect instruction



Luminaire Description

1. LED Flood light per watt can replace the traditional metal halide lamp of up to 5-6W.
2. Ensure all parts and accessories are in the package, including this instruction.
3. Please make sure the existed luminaire dimension is confirm to dimension described before.
4. Lamps must be operated within an ambient fixture temperature of -4F and 104F to comply with safety and warranty regulations.
5. DO NOT USE WITH DIMMERS