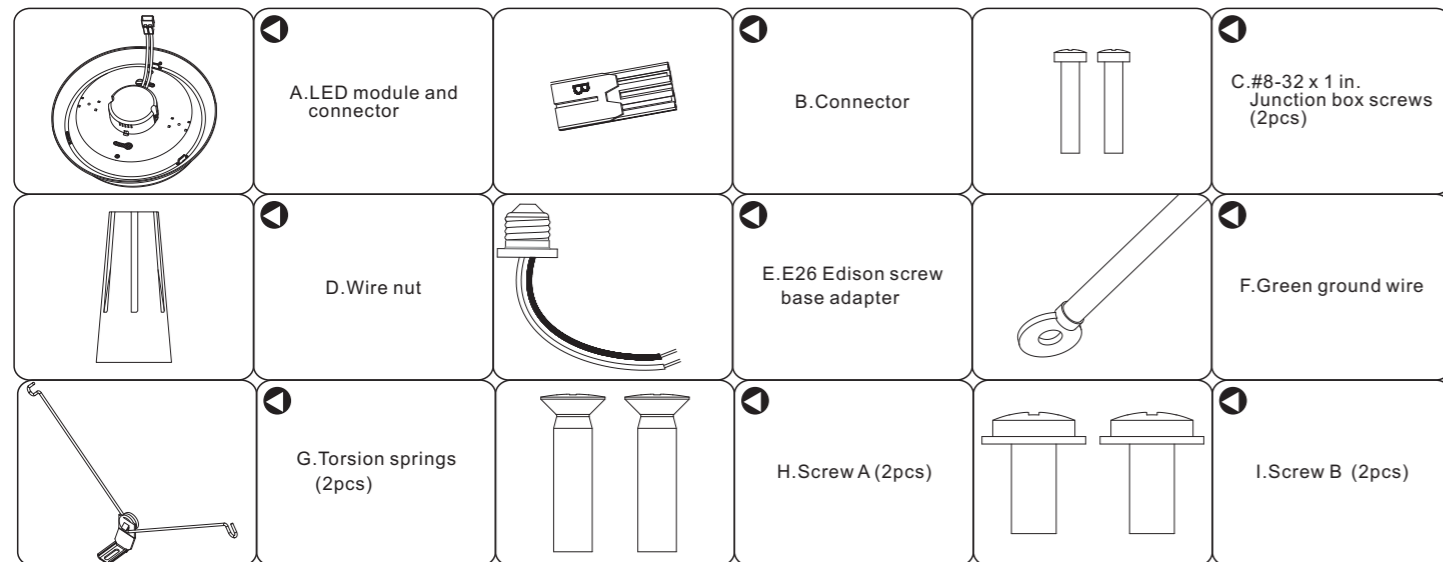


# SURFACE MOUNTED RETROFIT DOWNLIGHT INSTALLATION GUIDE

## PACKING CONTENTS



## IMPORTANT SAFETY INSTRUCTIONS

• **WARNING** - Risk of fire or electric shock. LED Retrofit Kit installation requires knowledge of luminaire electrical systems. If not qualified, do not attempt installation. Contact a qualified electrician.

*Attention: Risque d'incendie ou de choqe électrique. La rénovation de l'installation du Kit nécessite des connaissances dans les systèmes électriques. Si vous n'êtes pas qualifié, ne tentez pas cette manipulation d'installation. Contactez un électricien qualifié.*

• **WARNING** - Risk of fire or electric shock. Install these kits only in the luminaires that has the construction features and dimensions shown in the photographs and/or drawings.

*Attention: Risque d'incendie ou de choqe électrique. Installer ces kits seulement avec les luminaires qui ont les mêmes caractéristiques et les dimensions que préconise le constructeur. Voir les illustrations (dessins ou photographies).*

• **WARNING** - To prevent wiring damage or abrasion, do not expose wiring to edges of sheet metal or other sharp objects.

*Attention: Pour prévenir des risques d'usures anormales du produit, ne pas mettre celui ci proche de surfaces coupantes.*

• Do not make or alter any open holes in an enclosure of wiring or electrica components during kit installation.

• **WARNING -RISK OF FIRE OR ELECTRIC SHOCK. DO NOT ALTER, RELOCATE, OR REMOVE WIRING, LAMP HOLDERS, POWER SUPPLY, OR ANY OTHER ELECTRICAL COMPONENTS.**

*Attention: Risque d'incendie ou de choqe électrique. NE PAS MODIFIER LE PRODUIT (DOUILLE, CABLAGE ETC...) OU CHANGER L'UTILISATION PRINCIPALE DU PRODUIT OU TOUT AUTRE COMPOSANTS DU PRODUIT !*

• **WARNING -RISK OF FIRE OR ELECTRIC SHOCK. INSTALLATION OF THIS RETROFIT ASSEMBLY REQUIRES A PERSON FAMILIAR WITH THE CONSTRUCTION AND OPERATION OF THE LUMINAIRE'S ELECTRICAL SYSTEM AND THE HAZARD INVOLVED. IF NOT QUALIFIED, DO NOT ATTEMPT INSTALLATION. CONTACT A QUALIFIED ELECTRICIAN.**

*Attention: Risque d'incendie ou de choqe électrique. CE TYPE DE MODERNISATION D'INSTALLATION DEMANDE UNE PERSONNE COMPETENTE EN ELECTRICITE ET QUALIFIE DANS LES LUMINAIRES. ATTENTION DES RISQUES POUR LE PRODUIT ET POUR LA PERSONNE SONT IMPORTANTS EN CAS DE NON RESPECT DE CES PREVENTIONS. Si vous n'êtes pas qualifié, ne tentez pas cette manipulation d'installation. Contactez un électricien qualifié.*

• **CAUTION: SHOCK AND FIRE HAZARD, DO NOT USE WHEN ENCLOSURE IS BROKEN.**

• **SUITABLE FOR USE IN ENCLOSED RECESSED LUMINAIRES.**

• **MIN. LAMP COMPARTMENT DIMENSIONS**-5(D)-X 5.5(H) or -6 (D)-X 5.5(H) inch\* where D is minimum diameter and H is minimum height of Listed Recessed luminaire Compartment, as applicable.

• **SUITABLE FOR DAMP LOCATIONS.**

• **SUITABLE FOR TYPE IC or SUITABLE FOR TYPE NON-IC.**

• **Maximum of 8 pcs of NO. 12 AWG through branch circuit conductor.**

## NOTES:

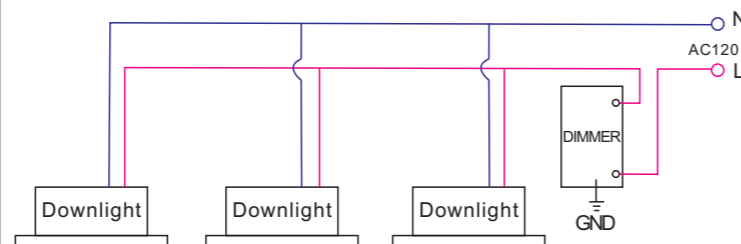
- Before starting or installation, please read this leaflet and keep it for future reference.
- To avoid possible electrical shock, be sure that power supply is turned off at fuse box or circuit breaker before installing or servicing fixture.
- During installation do not let the product surface rub against other hard objects or dropped on the floor, otherwise the product will be damaged.
- Risk of fire supply conductors (power wires) connecting the fixture must be rated minimum 90°C if uncertain, consult an Electrician.
- The luminaire must be securely mounted; the bare wires of the power cord must be properly insulated to prevent electrical hazards.
- For indoor use only, suitable for damp locations, avoid the light and its power supply to contact with water and other liquids in order to avoid leakage, electric shock situations.
- Installation of any recessed lighting luminaire check your local electrical code. This code sets the wiring standards for your locality and should be carefully studied before starting.
- Protect the light from dust and dirt when painting or during construction.
- Clean with a soft damp cloth only, do not use any chemical cleaners.
- Installation of any recessed lighting luminaire check your local electrical code. This code sets the wiring standards for your locality and should be carefully studied before starting.
- The luminaire light can be dimmed with standard triac dimmer.
- Input: 120VAC, 60Hz Power: 10W

## SAVE THESE INSTRUCTIONS AND WARNINGS.

## DIMMING

The LED luminaire can be dimmed with many standard incandescent dimmers, however an electronic low voltage version of a standard dimmer (with neutral connection) is recommended for many applications. Updates in dimmer technology and special conditions may apply depending on the dimmer type being used. To be assured of the latest information regarding luminaire and dimmer compatibility, please contact dimmer manufacturer.

## Electrical Connection:



# SURFACE MOUNTED RETROFIT DOWNLIGHT INSTALLATION GUIDE

## INSTALLATION INTO J-BOXES

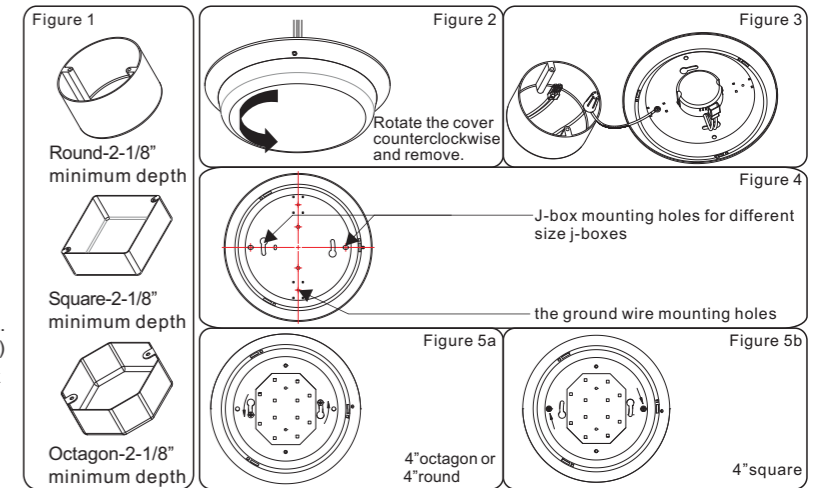
**NOTE:** The kits is compatible with junction boxes listed below (figure 1)  
 ① 4" octagon: 2 1/8" Deep ② 4" square: 2 1/8" Deep ③ 4" round: 2 1/8" Deep  
 (Box types and site condition vary. Installer to ensure compatibility at fit, wiring and proper mounting.)  
 The junction box must be a minimum 2-1/8 inch in depth for proper installation. Boxes shown in Figure 1.

### INSTALLATION STEP

- Rotate the cover counterclockwise and remove (Figure 2)
- Insert the house supply wires into the Connector. (Fire wire to Connector 'B' and natural wire to another one). Connect the ground wire (attached to the sink) with the ground wire in the junction box using the included wire nut (Figure 3).
- Connect the orange plug of the Adapter to the orange plug of the LED retrofit series.
- Align the holes (Figure 4) on the sink with the holes on the junction box. Tighten 2#8-32 screws and make the sink flush against the ceiling (Figure 5)
- Put the cover on the sink and turn the cover a few degrees clockwise to lock
- Tighten the screw A in the trim (Figure 6).

### REPLACING THIS LUMINAIRE

- Remove the retain screws from the LED luminaire.
- Rotate lens clockwise and then lower lens.
- Remove #8-32 screws from the junction box.
- Disconnect Wire



## INSTALLATION INTO HOUSING

This recessed luminaire has E26 Edison screw-base and shallow recessed housing series.

### COMPATIBLE FOR 5INCH CAN:

**HALO:**  
**LED CAN:** H5501CAT, H550RICAT  
**CFL CAN:** H524ICAT, H524RICAT, H5701CAT, H570RICAT, H571ICAT, H572ICAT, H572RICAT, H573ICATLD, H573RICATLD, H51CAT, H5RICA, H5T, H5RT.

### ALL-PRO:

**INCANDESCENT CAN:** EI500AT, EI500RAT, ET500, ET500R.  
**JUNO:** TC20R, TC20S, TC20, IC20R, IC20N, IC20NW, IC20S, IC20W, IC20, IC25R, IC25W, PL526RE, ICPL526REN, ICPL518E.

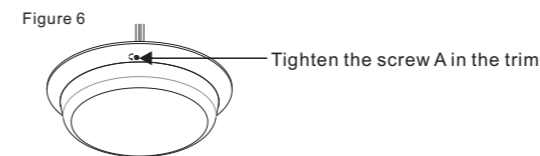
### COMPATIBLE FOR 6INCH CAN:

**HALO:**  
**LED CAN:** H71CT, H71CAT, H71CATNB, H7RICAT, H7RICT, H7UICAT, H7UICT, H750RICAT, H750ICAT, H271CAT, H271CT, H27RICAT, H271CT, H27RICAT, H51CAT, HRICAT, H750TCP.

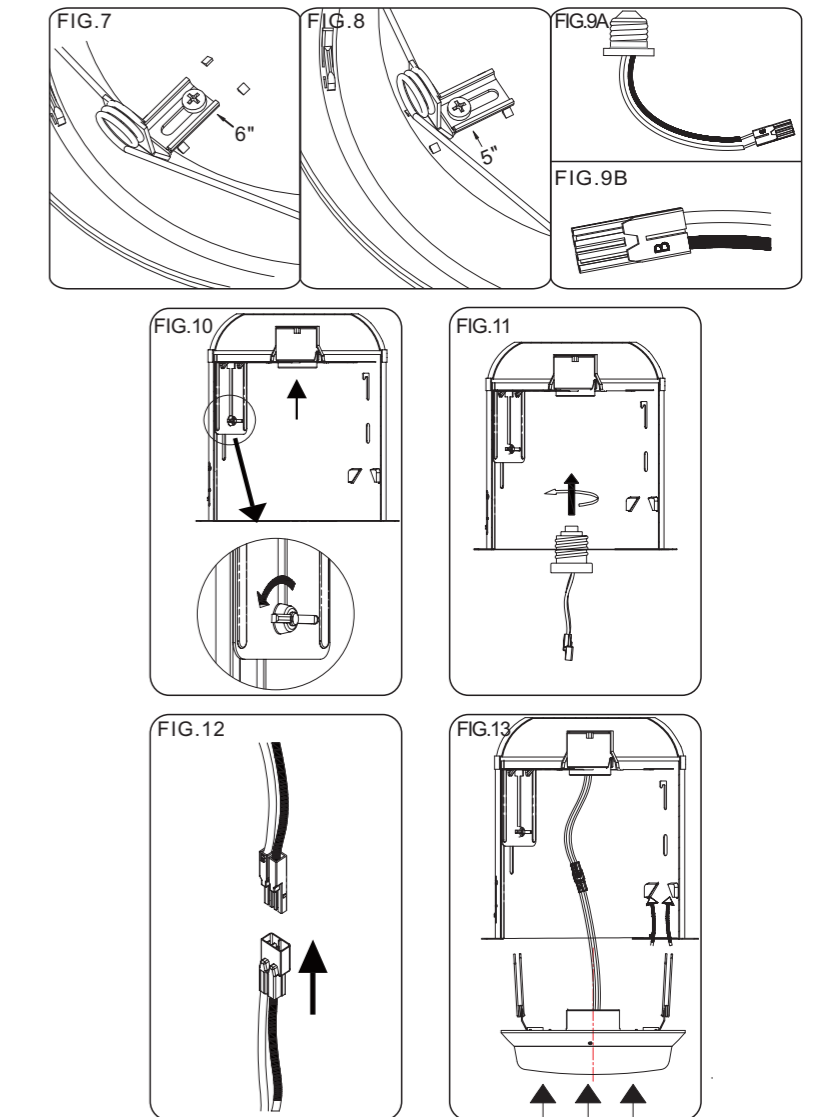
### ALL-PRO:

**INCANDESCENT CAN:** EI700, EI700AT, EI700ATNB, EI700NB, EI700RAT, EI700U, EI700UAT, EI2700, EI2700AT, EI500AT, EI500RAT.  
**JUNO:** IC22, IC22R, IC22W, IC22S, IC23, IC23W, IC21, IC21R, IC25, IC25W, IC25S  
 For additional product and ordering information, please refer to the latest manufacturer specification.

## INSTALLATION STEP



- Tighten the screw A in the trim (Figure 6).
- Put a connector to the end of E26 socket wire and tightly. (Black wire to Connector 'B' and white wire to another one) (Figure 9a).
- Loosen torsion spring bracket with screw B.  
 If install into 6" can housings: Remove 2 torsion spring brackets completely to keep them in the out ward position. (Figure 7)  
 If install into 5" can housing: Slide bracket to inward position. (Figure 8) Then, Tighten screw.
- Unscrew the wing nut inside the can, upwards move the socket bracket to max from the can. (Figure 10)  
 Thread the socket adapter into the socket. (Figure 11)
- Plug the female connector of the retrofit trim onto the male connector of the socket adapter assembly. (Figure 12)
- Squeeze both torsion spring arms together and insert into the torsion spring slots (or receiver brackets) of the can. Tuck all wires into the can and carefully push the retrofit trim into can (note: to provide enough room in shallow cans carefully position socket adapter and socket adjacent to the long side of the LED driver prior to inserting the retrofit trim into the can. (Figure 13)



### REPLACING THIS LUMINAIRE

- With fingertips, pull down firmly on trim ring until module stops.
- Squeeze torsion springs together to remove LED module.
- Disconnect LED module wiring from recessed can (LED Connector or screw in Edison base.)

### WARRANTY:

We offer 5 years limited warranty. As with any electrical installation, a qualified electrician must ensure compatibility of use with a particular housing; this includes all applicable national and local electrical and building codes. Installer is responsible to securely retain the LED Module in a housing at time of installation.