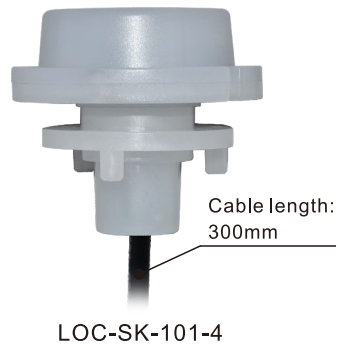


# ■ Photoelectric Switch LOC-SK-101-4 Instruction



## INTRODUCTION

The photoelectric switch LOC-SK-101-4 is applicable to control the street lighting, passage lighting and doorway lighting automatically in accordance with the ambient lighting level.

This product is designed with electronic circuits. Its quicker response with time delay of 3-10 seconds offers easy-to-test feature. Especially, model LOC-SK-101-4 provides a wide voltage range for customer applications under almost power supplies.

Further, a preset 3-10 seconds time-delay might avoid mis-operation due to spotlight or lightning during the night time.

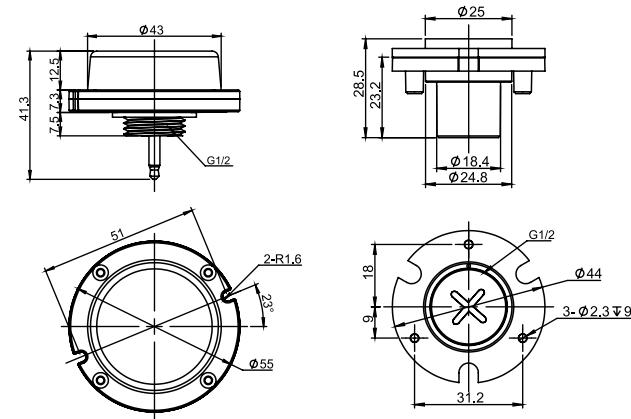
This product has been listed by UL Inc and is comply with the Standard for Non-industrial Photoelectric Switches for Lighting Control UL773A.

## SPECIFICATIONS

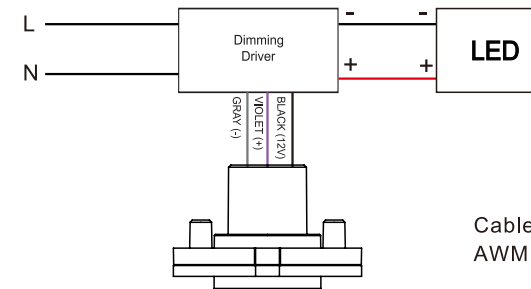
Rated Voltage	12-24V AC
Rated Frequency	50mA±5%
Power consumption	0.4W max
Operate Level	10~20Lx On / 30~80Lx Off
Ambient Temperature	99%RH
Temperature	-40°F ~ +158°F (-40°C ~ +70°C)

# ■ Photoelectric Switch LOC-SK-101-4 Instruction

## Dimensions



## WIRING DIAGRAMS



Cable specifications:  
AWM 2464 /22AWG /80°C /300V