

Date: _____ Location: _____
 Product: _____ Project: _____
 Quantity: _____ Catalog #: _____

LED LOD-MWP HLV2 Mini Wall Pack Light



Bronze Housing / Clear Lens:

- 8W 5,000K
- 15W 3,000K
- 15W 4,000K

White Housing / Clear Lens:

- 25W 5,000K

Bronze Housing / Frosted Lens:

- 15W 3,000K

FEATURES

- IP65 rated
- Easy installation and maintenance
- Corrosion and rust proof
- Semi cut-off
- 50,000 hours lifetime

SUITABLE APPLICATIONS

- Warehouses
- Stadiums
- Factories
- Parking Lots
- Shopping Malls
- Supermarkets
- Logistic Centers
- Auto dealerships

CONSTRUCTION:

Heavy die-cast aluminum housing with polyester powder-coated finish. Integral secondary heat sink to optimize thermal transfer and maximize performance of the LEDs.

OPTICAL SYSTEM:

Philips Lumileds 3030 LED chips. High quality tempered glass optics. 125° beam angle.

WARRANTY:

5-year limited warranty. Actual performance may differ as a result of end-user environment and application.

ELECTRICAL:

Available as 110-277V input. -20°C to 50°C, -4°F to 122°F

INSTALLATION & MOUNTING:

Wall Mounting with quick mount back plate for easy installation.

CONTROLS & DIMMING:

Non-dimming. Photocell included.

Special Order:

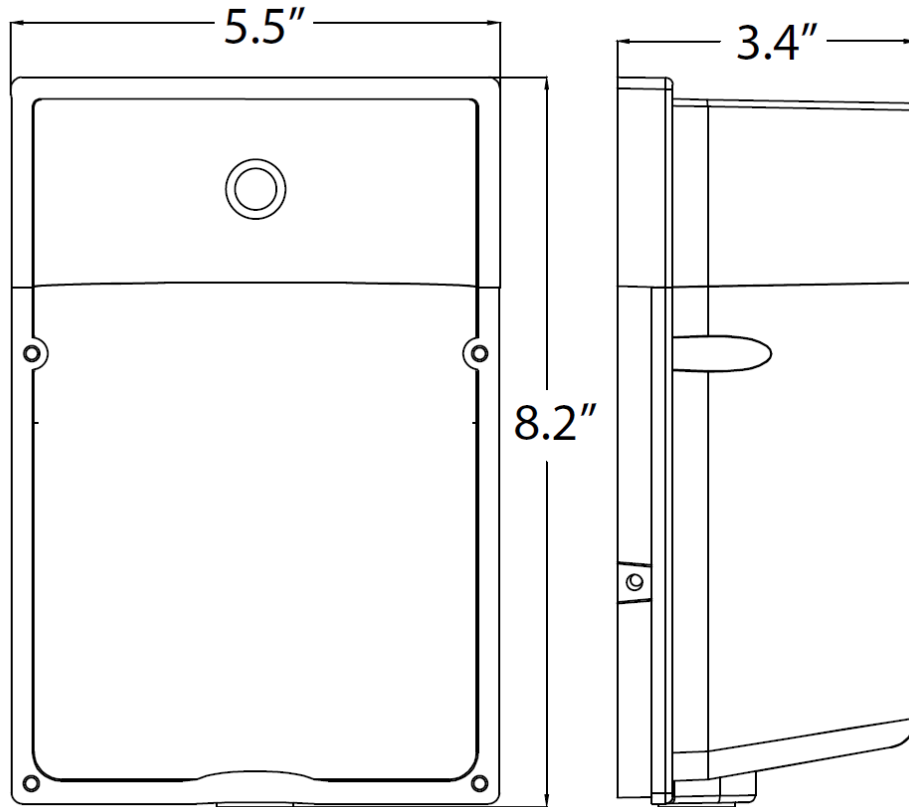
- Other CCTs
- Other colors



MODEL NUMBER	WATTAGE	LUMENS	EFFICACY	CRI	POWER FACTOR	THD	REPLACES
LOD-MWP-8WD50K-HLV2 (Bronze)	8W	1,128LM	141LM/W	70	0.92	20%	30W HID
LOD-MWP-15WD30K-HLV2 (Bronze)	15W	2,229.31LM	140.38LM/W	71.7	0.925	16.9%	30W - 50W HID
LOD-MWP-15WD40K-HLV2 (Bronze)	15W	2,070LM	138LM/W	70	0.92	20%	30W - 50W HID
LOD-MWP-15WD30K-HLV2 (Frosted)	15W	2,229.31LM	140.38LM/W	71.7	0.925	16.9%	30W - 50W HID
LOD-MWP-25WD50K-HLV2 (Bronze)	25W	3,554LM	141LM/W	70	0.92	20%	30W - 50W HID
LOD-MWP-25WD50K-HLV2 (White)	25W	3,554LM	141LM/W	70	0.92	20%	30W - 50W HID

Series	Wattage	Color Temperature	Style
LOD-MWP	8W 15W 25W	3000K 4000K 5000K	HLV2 = High Lumen Version 2

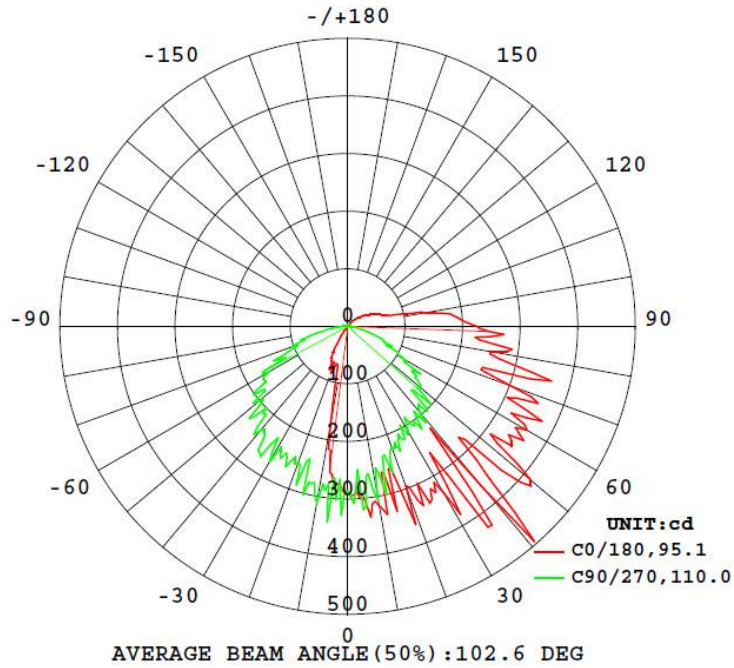
MEASUREMENTS



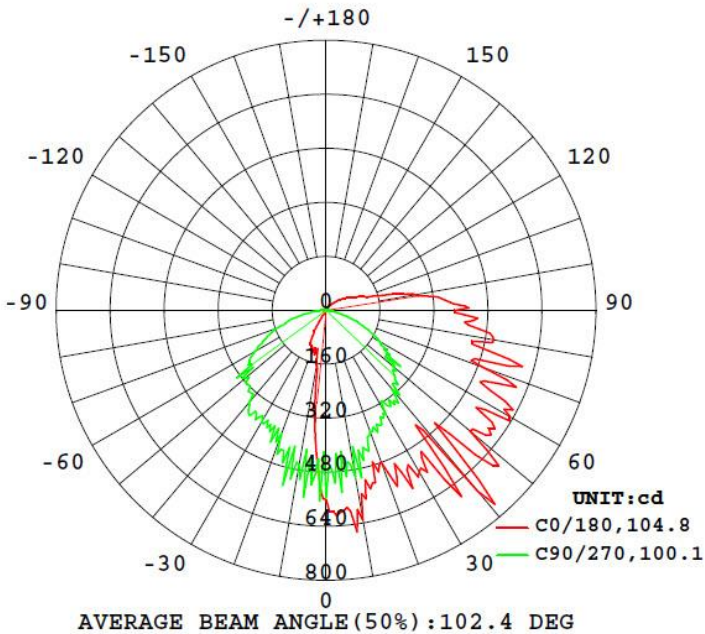
MODEL	QUANTITY	WEIGHT	UPC CODE
LOD-MWP-8WD50K-HLV2	1	2.10 lbs	00815586025138
LOD-MWP-15WD30K-HLV2	1	2.10 lbs	00815586025145
LOD-MWP-15WD50K-HLV2	1	2.10 lbs	00815586025169
LOD-MWP-25WD50K-HLV2	1	2.10 lbs	00815586025220
LOD-MWP-25WD50K-HLV2 (White)	1	2.10 lbs	00815586029051

PHOTOMETRIC DATA

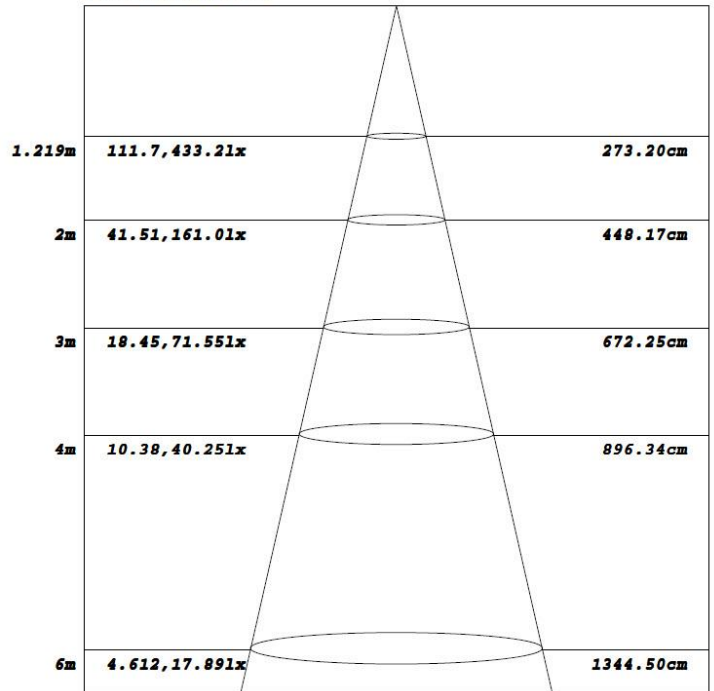
8W



15W

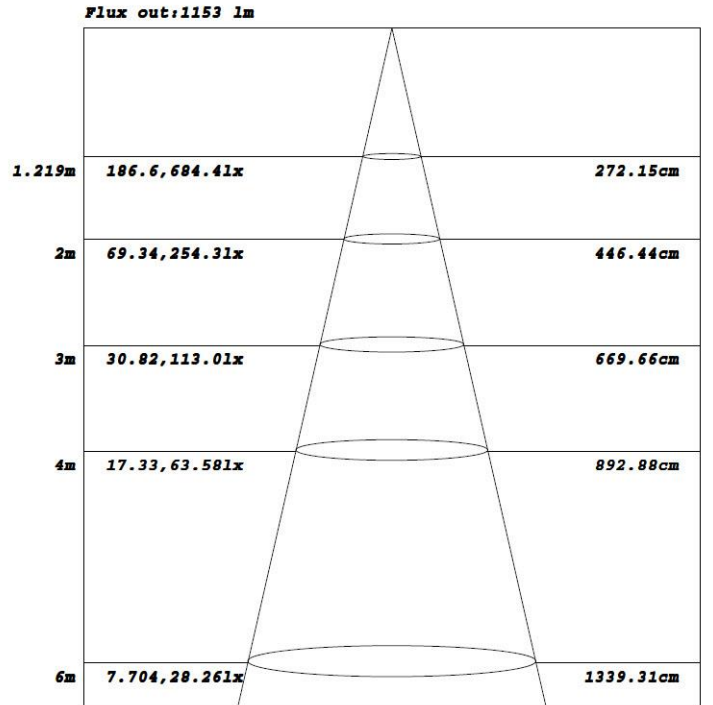
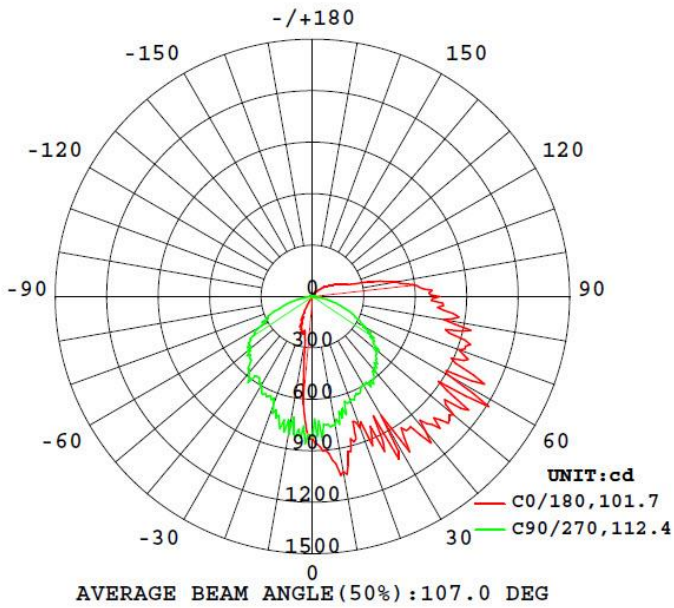


Flux out: 690.2 lm



Note: The Curves indicate the illuminated area and the average illumination when the luminaire is at different distance.

25W



Note: The Curves indicate the illuminated area and the average illumination when the luminaire is at different distance.

