

Date: _____ Location: _____
 Product: _____ Project: _____
 Quantity: _____ Catalog #: _____

LED Magnetic Strip Series

FEATURES

- IP65 rated
- Easy installation and maintenance
- Corrosion and rust proof
- 50,000 hours lifetime



SUITABLE APPLICATIONS

- Residential Complexes
- Parking Decks
- Shopping Malls
- Sporting Complexes
- Logistic Centers
- Auto dealerships
- Municipal Lots

CONSTRUCTION:

Heavy die-cast aluminum housing with polyester powder-coated finish. Integral secondary heat sink to optimize thermal transfer and maximize performance of the LEDs.

OPTICAL SYSTEM:

Philips Lumiled 3030 LED chips. High quality tempered glass optics. 120° beam angle.

WARRANTY:

5-year limited warranty. Actual performance may differ as a result of end-user environment and application.

ELECTRICAL:

Available as 100-277V input. -20°C to 50°C, -4°F to 122°F

INSTALLATION & MOUNTING:

Magnet and/or screws.

DIMMING:

0-10V dimming.

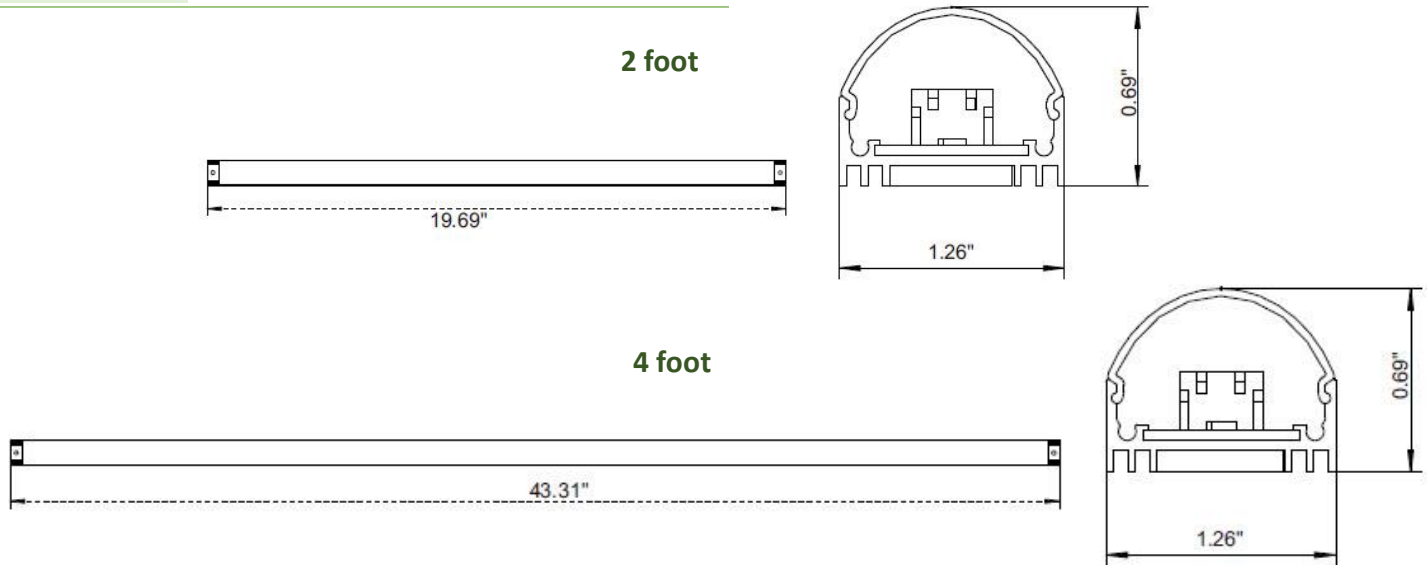


MODEL NUMBER	WATTAGE	LUMENS	EFFICACY	CRI	POWER FACTOR	THD	REPLACES
LOD-MTRT-2FT25WX2 5000K	25W	3,285.64LM	127.8LM/W	82.4	0.99	15.22%	2x2 panel
LOD-MTRT-4FT36WX2 4000K	36W	4,625.48LM	124.7LM/W	83.5	0.8889	13.3%	2x4 panel
LOD-MTRT-4FT36WX2 5000K	36W	4,859.36LM	131LM/W	82.4	0.99	13.3%	2x4 panel
LOD-MTRT-4FT36WX2 4000K*	36W	4,859.36LM	131LM/W	82.4	0.99	13.3%	2x4 panel
LOD-MTRT-4FT36WX2 5000K*	36W	4,859.36LM	131LM/W	82.4	0.99	13.3%	2x4 panel
LOD-MTRT-4FT50WX2 4000K	50W	6,262.74LM	123.09LM/W	83.6	0.894	15.15%	2x4 panel
LOD-MTRT-4FT50WX2 5000K	50W	6,482.73LM	127.4LM/W	82.5	0.99	15.15%	2x4 panel

Non dimming = *

Series	2 Foot Wattage	4 Foot Wattage	Color Temperature	Driver
LOD-MTRT	25W	36W 50W	4000K 5000K	X2 = # of drives

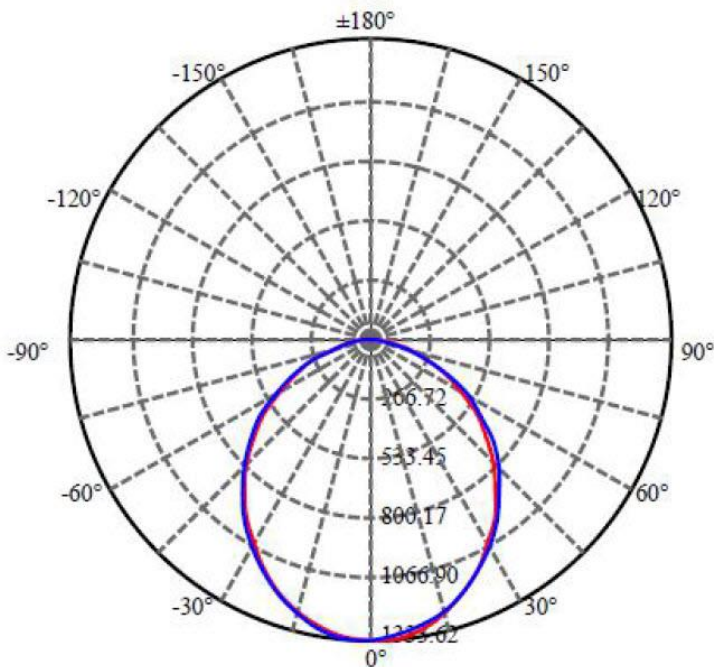
MEASUREMENTS



MODEL	QUANTITY	WEIGHT	UPC CODE
LOD-MTRT-2FT25WX2 5000K	1	lbs	00810050940382
LOD-MTRT-4FT36WX2 4000K	1	lbs	00815580624162
LOD-MTRT-4FT36WX2 5000K	1	lbs	00815586027453
LOD-MTRT-4FT50WX2 4000K	1	lbs	00810050940399
LOD-MTRT-4FT50WX2 5000K	1	lbs	00810050940405

PHOTOMETRIC DATA

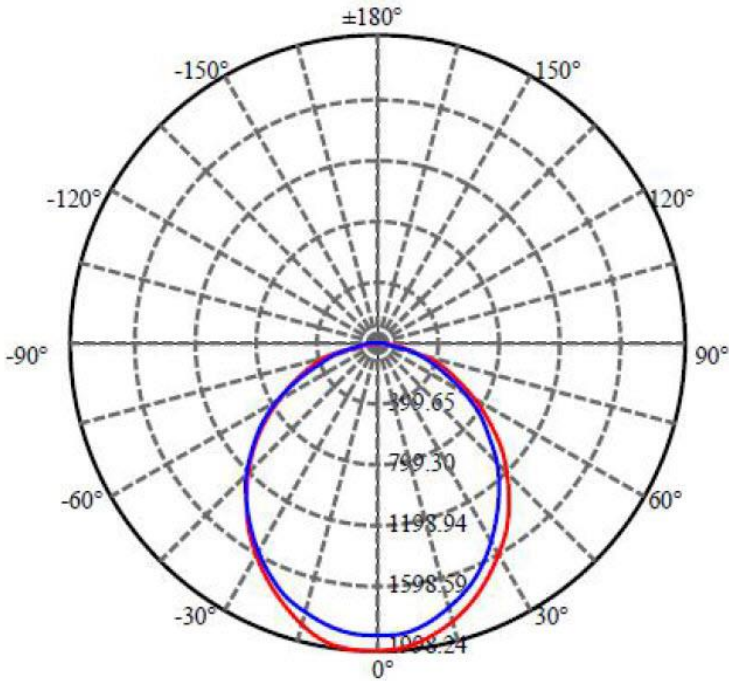
2 Foot 25W



1.0m	1333.6 , 1058.9 lx	248.07cm
2.0m	333.4 , 264.7 lx	496.15cm
3.0m	148.2 , 117.7 lx	744.22cm
4.0m	83.4 , 66.2 lx	992.30cm
5.0m	53.3 , 42.4 lx	1240.37cm
6.0m	37.0 , 29.4 lx	1488.45cm
7.0m	27.2 , 21.6 lx	1736.52cm
8.0m	20.8 , 16.5 lx	1984.60cm
9.0m	16.5 , 13.1 lx	2232.67cm
10.0m	13.3 , 10.6 lx	2480.75cm

Max , Ave Beam angle of C22.5plane102.25

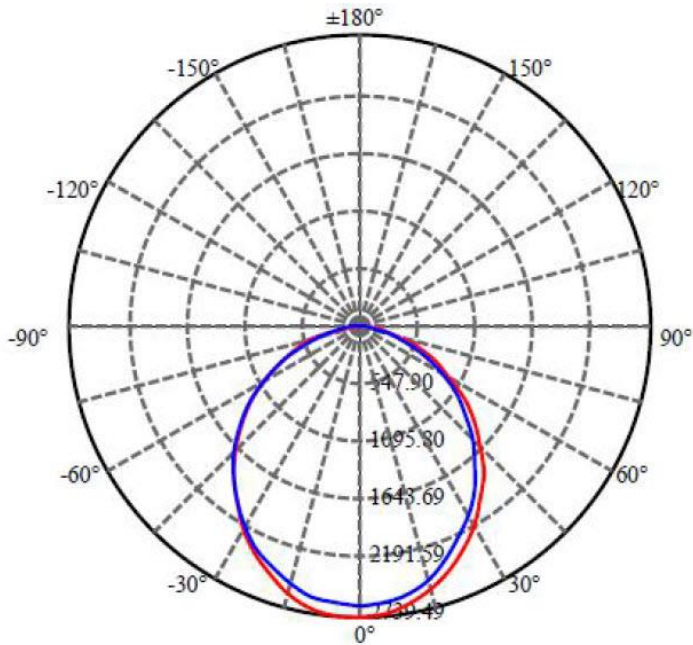
4 Foot 36W



1.0m	1998.2 , 1575.6 lx	252.85cm
2.0m	499.6 , 393.9 lx	505.70cm
3.0m	222.0 , 175.1 lx	758.55cm
4.0m	124.9 , 98.5 lx	1011.40cm
5.0m	79.9 , 63.0 lx	1264.25cm
6.0m	55.5 , 43.8 lx	1517.11cm
7.0m	40.8 , 32.2 lx	1769.96cm
8.0m	31.2 , 24.6 lx	2022.81cm
9.0m	24.7 , 19.5 lx	2275.66cm
10.0m	20.0 , 15.8 lx	2528.51cm

Max , Ave Beam angle of C0plane103.31

4 Foot 50W



1.0m	2739.5 , 2167.2 lx	253.00cm
2.0m	684.9 , 541.8 lx	506.00cm
3.0m	304.4 , 240.8 lx	759.00cm
4.0m	171.2 , 135.4 lx	1012.01cm
5.0m	109.6 , 86.7 lx	1265.01cm
6.0m	76.1 , 60.2 lx	1518.01cm
7.0m	55.9 , 44.2 lx	1771.01cm
8.0m	42.8 , 33.9 lx	2024.01cm
9.0m	33.8 , 26.8 lx	2277.01cm
10.0m	27.4 , 21.7 lx	2530.01cm

Max , Ave Beam angle of C0plane103.34