

LED LOD-MASQ Light Series

FEATURES

- IP65 rated
- 4KV surge protector
- Easy installation and maintenance
- Corrosion and rust proof
- Open air ventilation
- 50,000 hours lifetime



SUITABLE APPLICATIONS

- Warehouses
- Stadiums
- Factories
- Parking Lots
- Gas Stations
- Shopping Malls
- Supermarkets
- Logistic Centers
- Auto dealerships

Special Order:

- Other CCTs

CONSTRUCTION:

Polyester powder coated housing.

OPTICAL SYSTEM:

Clear lens. 120° beam angle.

WARRANTY:

5-year limited warranty. Actual performance may differ as a result of end-user environment and application.

ELECTRICAL:

Available as 120-277V input. -20°C to 50°C, -4°F to 122°F

INSTALLATION & MOUNTING:

Surface mount, low bay mount, bracket mount or arm mount.

CONTROLS & DIMMING:

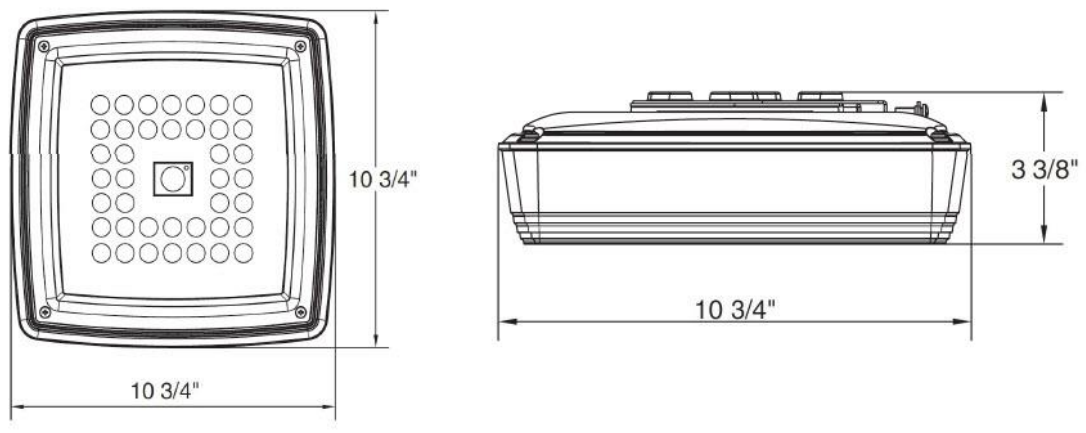
0-10V dimming driver.



MODEL NUMBER – 5,000K	WATTAGE	LUMENS	EFFICACY	CRI	POWER FACTOR	THD	REPLACES
LOD-MASQ-40WSAD50K-HL	40W	5,190.5LM	121.86LM/W	72.6	0.9766	7.3%	175W

Series	Wattage	Color Temperature	Version
LOD-MASQ	40W	5000K	HL = High Lumen

MEASUREMENTS



MODEL	QUANTITY	WEIGHT	UPC CODE
LOD-MASQ-40WSAD50K-HL	1	lbs	00815586027651