

LEDone®

LOD-5FT26W and LOD-6FT26W Type A + B Installation Guide

ELECTRICAL RATINGS: INPUT RATINGS

- Voltage: 120-277VAC
- Frequency: 50/60Hz
- Current: 289mA
- Wattage: 26W
- Tube Length: 5 foot / 6 foot

ENVIRONMENTAL CONDITIONS:

The T8 LED tube cannot be installed in rain, wet areas, dusty areas, flammable areas or combustible environments. Please confirm the light fixture meets the level of protection requirements if necessary.

INSTALLATION REQUIREMENTS:

The installation should be done by a licensed electrician. If the tube is Type B, please take the ballast and starter out of the light before installing. The operating temperature is $-20^{\circ}\text{C} + 40^{\circ}\text{C}$.

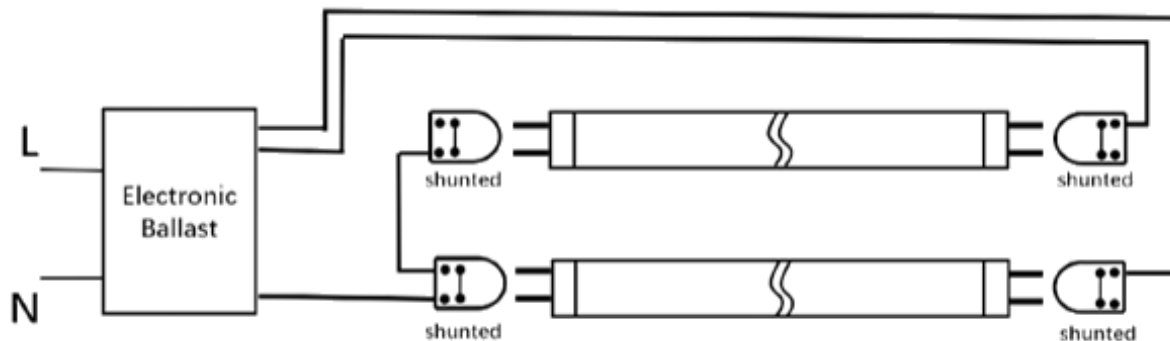
INSTALLATION INSTRUCTIONS:

The T8 tube can only work with the matched voltage.

Type A (ballast compatible): Please make sure you check the compatible ballast list before installing.

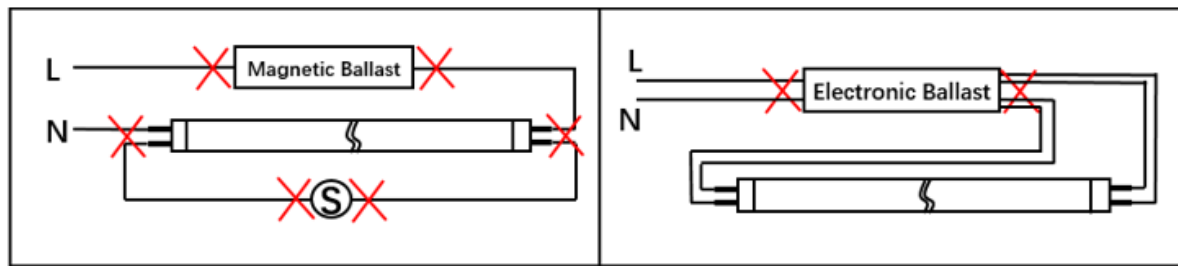
Please check the connection instruction image as follows:

- **Step 1:** Turn off the power before installing.
- **Step 2:** Take down the fluorescent lamp.
- **Step 3:** Install the LED tube.

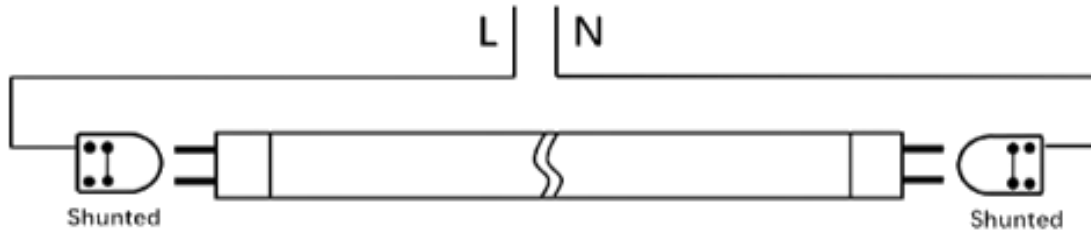


Type B (ballast by-pass) (double end): To replace the traditional fluorescent tube, please reconnect the electric circuit. Please check the connection instruction image as follows:

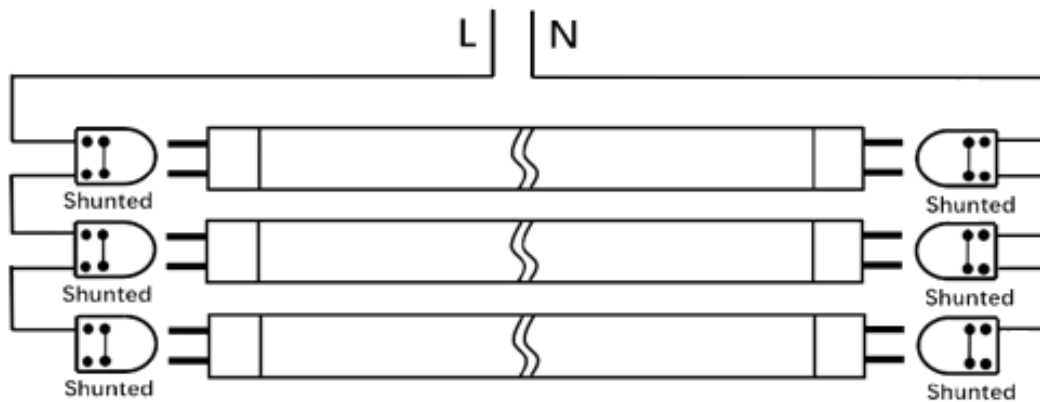
- **Step 1:** Turn off the power before installing.
- **Step 2:** Take down the fluorescent lamp, cut off the power line that is connected with the ballast and starter.
 - Note: Ballast and starter must be retained in place.



- **Step 3:** Install the LED tube and make the electrical connection.



More than one set installation image:



- **Step 4:** Affix the field applied label to the light fixture and install the tube. The tube has single end wiring connection. There are descriptions of connections for the source of electrical supply to the lamp pins. Please make sure no wiring connection on the other end.

WARNINGS:

- Check if the product is in good condition before installation.
- The LED tube should **not** be knocked down or replaced with a driver randomly.
- Product should **not** be placed in wet areas, high temperatures, flammable or combustible environments. They should be in a cool, dry environment.
- **Risk of fire or electric shock WARNING:** The electrical rating of this product is 120-277Vac. The installer must determine whether they have 120-277V at the luminaire before installation.
- **Risk of fire or electric shock WARNING:** Installation requires knowledge of luminaires' electrical systems. If you are not a qualified electrician, do **not** attempt installation. Contact a qualified electrician.
- **Risk of fire or electric shock WARNING:** Install this product only in the luminaires that have the construction features and dimensions shown in the photographs/drawings.
- Do **NOT** make or alter any open holes in the enclosure of wiring or electrical components during installation.
- **NOT** suitable for enclosed fixtures.
- To prevent wiring damage or abrasion, do **NOT** expose wiring to edges of sheet metal or other sharp objects.
- To avoid potential fire or shock hazard, do **NOT** use the retrofit kit in luminaires employing shunted bi-pin lamp holders.
 - **Note:** Shunted lamp holders are found only in fluorescent luminaires with instant-start ballasts. Instant start ballasts can be identified by the words "Instant Start" or "I.S." marked on the ballast. This designation may be in the form of a statement pertaining to the ballast itself or may be combined with the marking for the lamps with which the ballast is intended to be used. For example, F40T12/IS. For more information, contact the LED luminaires retrofit kit manufacturer.
- Installers should **not** disconnect existing wires from the lamp holder terminals to make new connections at lamp holder terminals. Instead, installers should cut the existing lamp holder leads away from the lamp holder and make new electrical connections to the lamp holder lead wires by employing applicable connectors.