

Date: _____ Location: _____
 Product: _____ Project: _____
 Quantity: _____ Catalog #: _____

LED LOC-ELHB High Bay Series



80W, 100W and 150W



180W, 200W and 250W



300W



8-foot cord

FEATURES

- Default Wattage is the highest wattage
 - 150W
 - 250W
- IP66 rated
- SPD 6KV
- 8-foot cord
- Corrosion resistant
- Easy installation and maintenance
- 50,000 hours lifetime

SUITABLE APPLICATIONS

- Warehouse
- Manufacturing facilities
- Convention centers
- Sporting Arenas
- Big-box retail stores
- Cold storage facilities
- Gymnasiums

CONSTRUCTION:

Corrosive resistant polyester powder coat finish. PC3000U lens. Aluminum Alloy.

OPTICAL SYSTEM:

Philips Lumiled 3030 LED chips. 120° beam angle standard. 60° beam angle option for 300W model ONLY.

WARRANTY:

5-year limited warranty. Actual performance may differ as a result of end-user environment and application.

ELECTRICAL:

Available as 100-277V input.

Operating Temperature: -30°C to 50°C, -22°F to 122°F

INSTALLATION & MOUNTING:

Hook mount.

DIMMING:

0-10V dimming



MULTI WATT MODEL NUMBER – 5,000K	WATTAGE	LUMENS	EFFICACY	CRI	POWER FACTOR	THD
LOC-ELHB-MW(80/100/150)50KD-LV	80W	12,000LM	150lm/W	70	0.95	15%
LOC-ELHB-MW(80/100/150)50KD-LV	100W	15,000LM	150lm/W	70	0.95	15%
LOC-ELHB-MW(80/100/150)50KD-LV	150W	22,500LM	150lm/W	70	0.95	15%
MULTI WATT MODEL NUMBER – 5,000K	WATTAGE	LUMENS	EFFICACY	CRI	POWER FACTOR	THD
LOC-ELHB-MW(180/200/250)50KD-LV	180W	27,000LM	150lm/W	70	0.9	15%
LOC-ELHB-MW(180/200/250)50KD-LV	200W	30,000LM	150lm/W	70	0.95	15%
LOC-ELHB-MW(180/200/250)50KD-LV	250W	37,500LM	150lm/W	70	0.95	15%
MODEL NUMBER – 5,000K	WATTAGE	LUMENS	EFFICACY	CRI	POWER FACTOR	THD
LOC-ELHB-300W50KD-LV	300W	45,000LM	150lm/W	70	0.95	15%

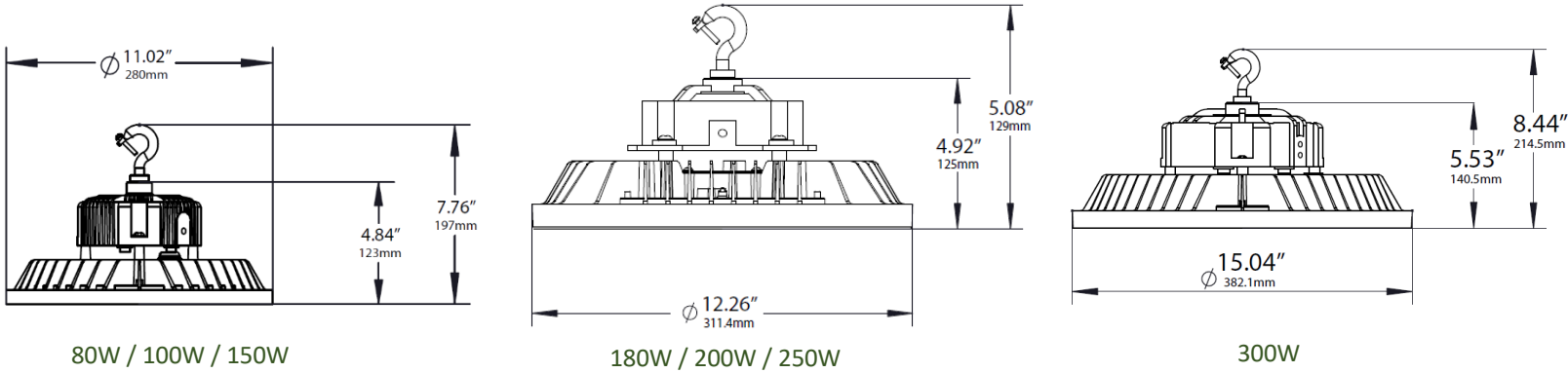
DLC Product ID:

- LOC-ELHB-MW(80/100/150)50KD-LV – PWWQC11K
- LOC-ELHB-MW(180/200/250)50KD-LV – P9VDHF8R
- LOC-ELHB-300W50KD-LV – PAGM6LRW

LED LOC-ELHB High Bay Series

Series	Multi Wattage	Multi Wattage	Wattage	CCT Option	Dimming	Voltage Options
LOC-ELHB	80W 100W 150W	180W 200W 250W	300W	5,000K	D = 0-10V dimming	LV = 100-277VAC

MEASUREMENTS



MODEL	QUANTITY	WEIGHT	UPC CODE
LOC-ELHB-MW(80/100/150)50KD-LV	1	lbs	00810050941433
LOC-ELHB-MW(180/200/250)50KD-LV	1	lbs	00810050941440
LOC-ELHB-300W50KD-LV	1	lbs	00810050941457

MOUNTING OPTIONS



U-Bracket
(For multi watt models)

OPTIONAL ACCESSORIES



Motion Sensor
LOC-ANT-5-4T
(Compatible with remote control)



Remote Control
LOC-RC-100



Emergency Driver
LOC-HBEMDR-25WHV



PC Reflector
(For multi watt models)



60° lens
(For 300W model)

MOUNTING GUIDE

80W / 100W / 150W

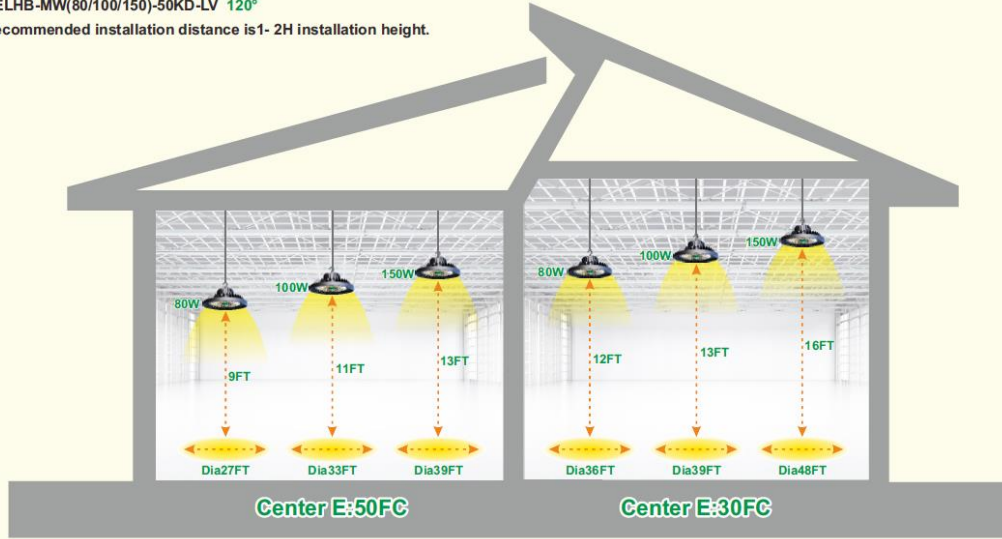
RECOMMEND
INSTALLATION
HEIGHT
8-20FT

LEDone®

Power	Equivalent	Height of Installation(FT)	Coverage(FT)	Center E(FC)
80W	150/250W HID	8-15	Dia24-45	20-70
100W	250W HID	9-17	Dia27-51	20-70
150W	400W HID	11-20	Dia33-60	20-70

LOC-ELHB-MW(80/100/150)-50KD-LV 120°

The recommended installation distance is 1- 2H installation height.



Roll over image to zoom in

180W / 200W / 250W

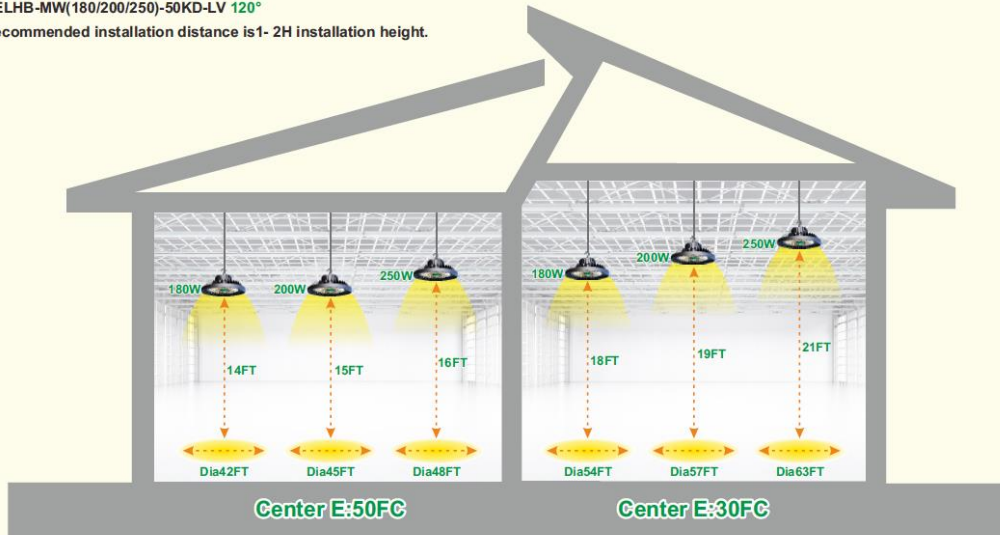
RECOMMEND
INSTALLATION
HEIGHT
12-25FT

LEDone®

Power	Equivalent	Height of Installation(FT)	Coverage(FT)	Center E(FC)
180W	400/600W HID	12-22	Dia36-66	20-70
200W	400/600W HID	12-23	Dia36-69	20-70
250W	600/1000W HID	14-25	Dia42-75	20-70

LOC-ELHB-MW(180/200/250)-50KD-LV 120°

The recommended installation distance is 1- 2H installation height.



Roll over image to zoom in