

LEDone®

LOC-T84FT-17W-G Type B Installation Guide

ENVIRONMENTAL CONDITIONS:

The T8 LED tube cannot be installed in rain, wet areas, dusty areas, flammable areas or combustible environments. Please confirm the light fixture meets the level of protection requirements if necessary.

INSTALLATION REQUIREMENTS:

The installation should be done by a licensed electrician. The tube is Type B, please take the ballast and starter out of the light before installing. The operating temperature is $-20^{\circ}\text{C} + 45^{\circ}\text{C}$ ($-4^{\circ}\text{F} + 113^{\circ}\text{F}$).

INSTALLATION INSTRUCTIONS:

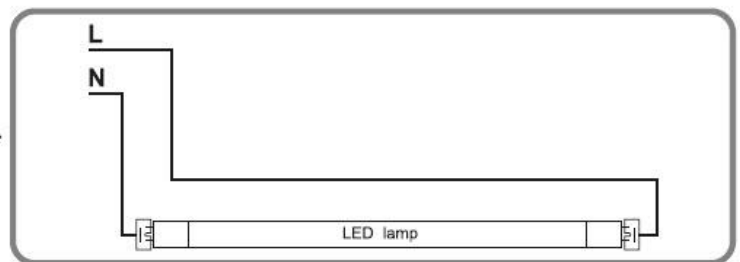
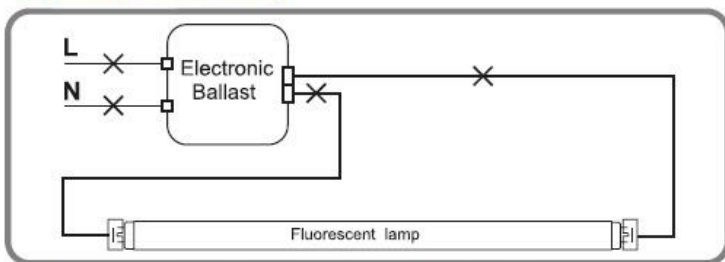
Double ended wiring installation of tubes must use shunted lamp holders. If non-shunted lamper holders are used, they must be externally shunted to insure a safe installation.

WARNINGS:

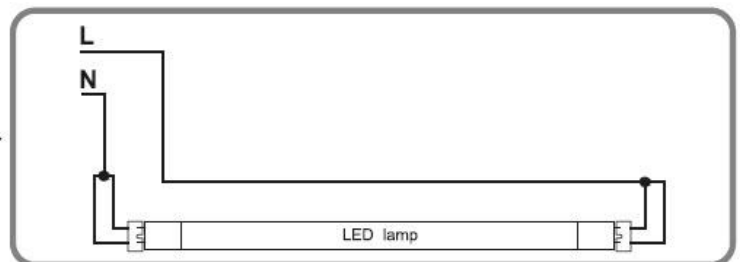
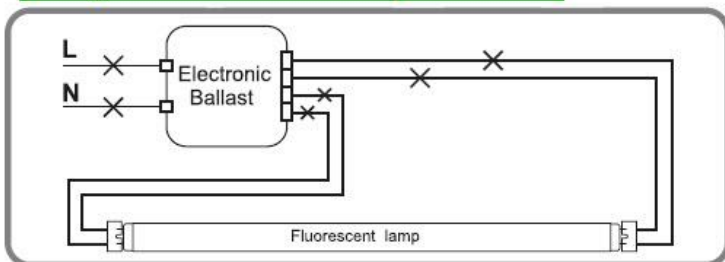
- Check if the product is in good condition before installation.
- The LED tube should **not** be knocked down or replace with a driver randomly.
- Product should **not** be placed in wet areas, high temperatures, flammable or combustible environments. They should be in a cool, dry environment.
- **Risk of fire or electric shock WARNING:** The electrical rating of this products is 120-277Vac. The installer must determine whether they have 120-277V at the luminaire before installation.
- **Risk of fire or electric shock WARNING:** Installation requires knowledge of luminaries' electrical systems. If you are not a qualified electrician, do **not** attempt installation. Contact a qualified electrician.
- **Risk of fire or electric shock WARNING:** Install this product only in the luminaires that have the construction features and dimensions shown in the photographs/drawings.
- Do **NOT** make or alter any open holes in the enclosure of wiring or electrical components during installation.
- Suitable for enclosed fixture.
- To prevent wiring damage or abrasion, do **NOT** expose wiring to edges of sheet metal or other sharp objects.

Retrofit luminaire with 1 lamp

Instant Start

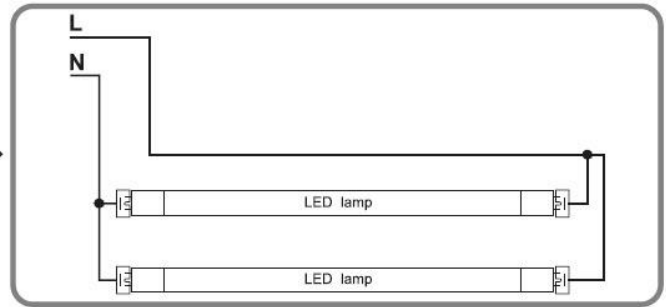
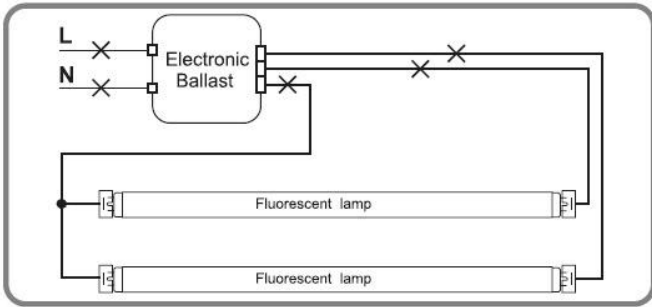


Program Start or Rapid Start

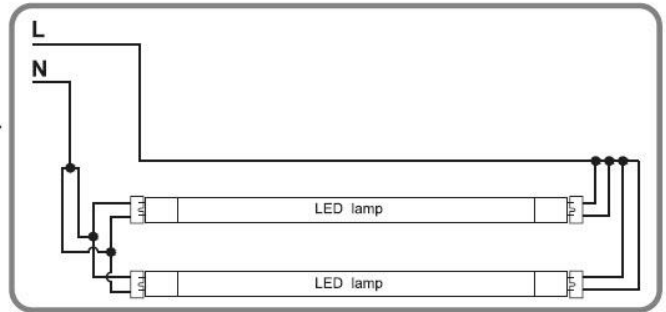
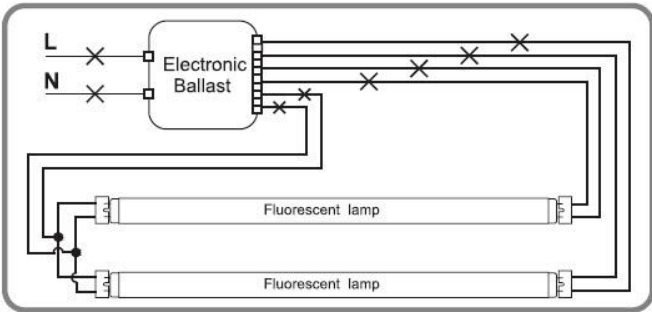


Retrofit luminaire with 2 lamps

Instant Start

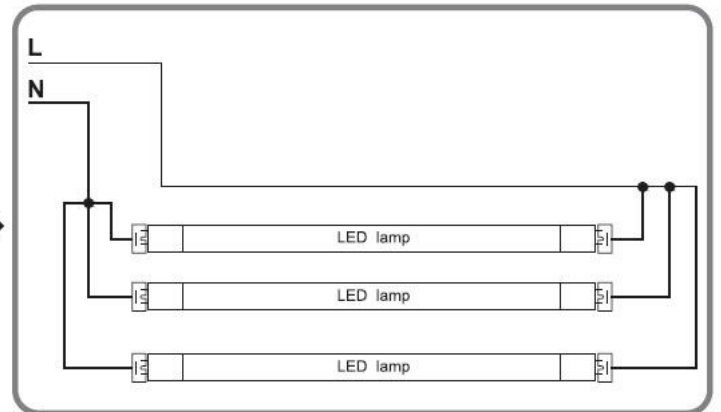
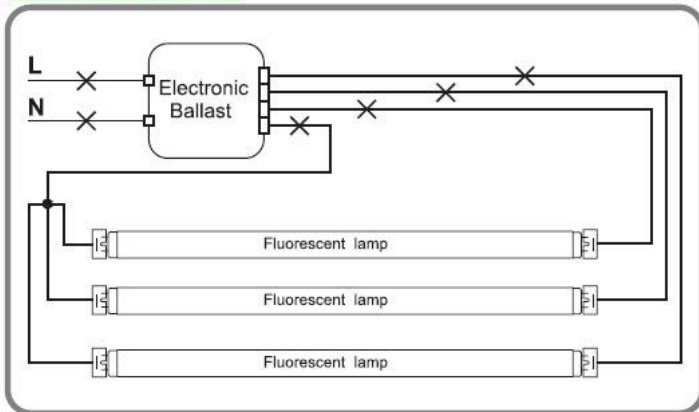


Program Start or Rapid Start

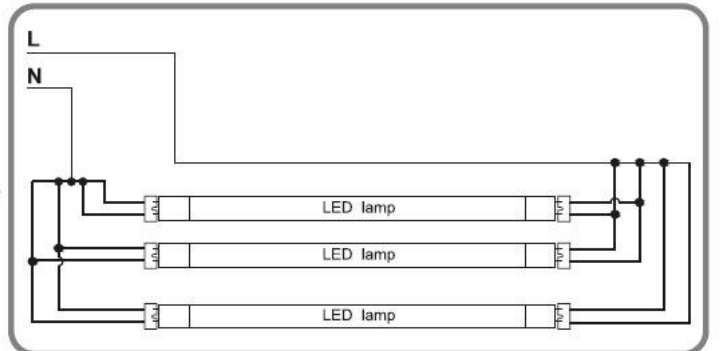
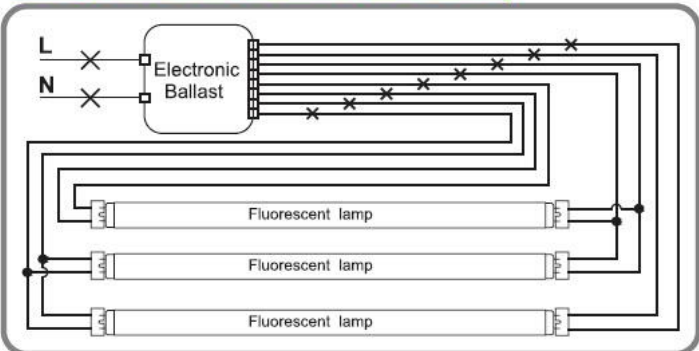


Retrofit luminaire with 3 lamps

Instant Start

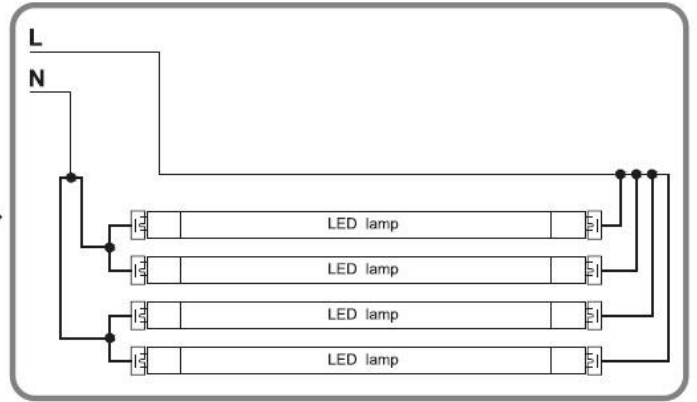
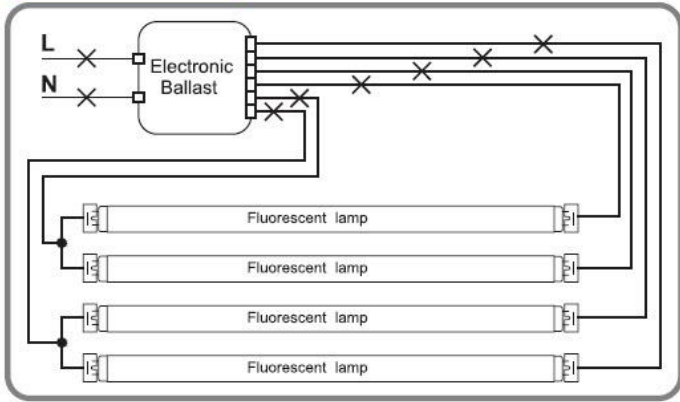


Program Start or Rapid Start



Retrofit luminaire with 4 lamps

Instant Start



Program Start or Rapid Start

