

Date: _____ Location: _____
 Product: _____ Project: _____
 Quantity: _____ Catalog #: _____

LED LOC-GDHB-MW High Bay Light Series



FEATURES

- IP66 rated
- Optional microwave sensor and emergency backup
- Easy installation and maintenance
- Corrosion and rust proof
- 50,000 hours lifetime

SUITABLE APPLICATIONS

- Warehouses
- Stadiums
- Factories
- Supermarkets
- Logistic Centers
- Exhibition Halls

CONSTRUCTION:

Unique design with built-in sensor. The lens has a spherical design and can emit light evenly. Each product is equipped with a shorting cap which is convenient for customers to replace the sensor.

OPTICAL SYSTEM:

Seoul SMD LED chips. 60°, 90° or 120° beam angle options.

WARRANTY:

5-year limited warranty. Actual performance may differ as a result of end-user environment and application.

ELECTRICAL:

Available as 120-347V input. 5FT cord (no plug) comes standard. -30°C to 45°C, -22°F to 113°F

INSTALLATION & MOUNTING:

Hanging hook or U-Bracket (not included).

CONTROLS & DIMMING:

0-10V dimming comes standard. Suitable for use with LED dimmers. Motion sensor and remote-control options available.



MODEL NUMBER – 5,000K	WATTAGE	LUMENS	EFFICACY	CRI	POWER FACTOR	THD	REPLACES
LOC-GDHB-MW(80/100/120/150)50KDLV	80W	11,680LM	146lm/W	70	0.9	15%	175W – 250W HID
LOC-GDHB-MW(80/100/120/150)50KDLV	100W	14,600LM	146lm/W	70	0.9	15%	250W – 400W HID
LOC-GDHB-MW(80/100/120/150)50KDLV	120W	17,520LM	146lm/W	70	0.9	15%	250W – 400W HID
LOC-GDHB-MW(80/100/120/150)50KDLV	150W	21,900LM	146lm/W	70	0.9	15%	400W – 600W HID

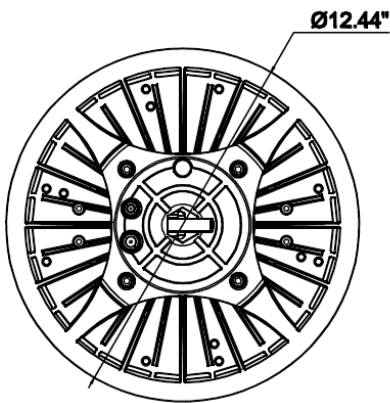
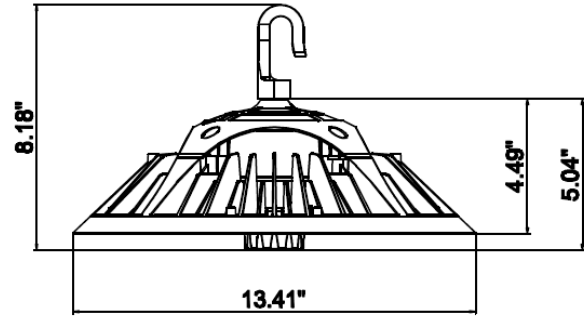
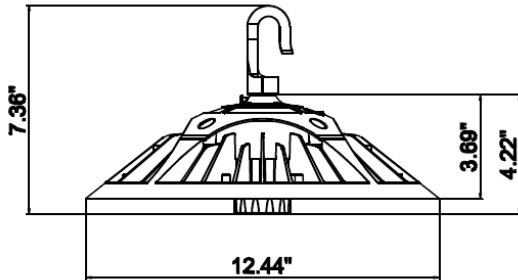
MODEL NUMBER – 5,000K	WATTAGE	LUMENS	EFFICACY	CRI	POWER FACTOR	THD	REPLACES
LOC-GDHB-MW(180/200/220/240)50KDLV	180W	26,280LM	146lm/W	70	0.9	15%	600W – 750W HID
LOC-GDHB-MW(180/200/220/240)50KDLV	200W	29,200LM	146lm/W	70	0.9	15%	600W – 750W HID
LOC-GDHB-MW(180/200/220/240)50KDLV	220W	32,120LM	146lm/W	70	0.9	15%	750W – 1,000W HID
LOC-GDHB-MW(180/200/220/240)50KDLV	240W	35,040LM	146lm/W	70	0.9	15%	750W – 1,000W HID

DLC Product ID:

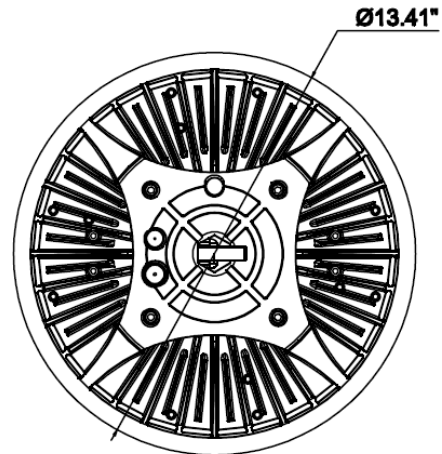
- LOC-GDHB-MW(80/100/120/150)50KDLV – PDM4I7LB
- LOC-GDHB-MW(180/200/220/240)50KDLV – P49S4NZE

Series	Wattage Options	Wattage Options	CCT Options	Dimming Options	Voltage Options	Optional	Beam Angle
LOC-GDHB-MW	80W 100W 120W 150W	180W 200W 220W 240W	5,000K	0-10V Dimming Integrated Motion Sensor	LV = 120-347VAC HV = 277-480VAC	MS - Motion Sensor	60° 90° 120°

MEASUREMENTS (120-277V)



80W / 100W / 120W / 150W

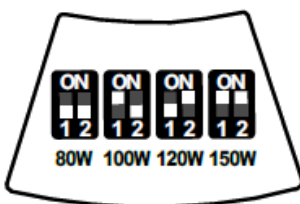


180W / 200W / 220W / 240W

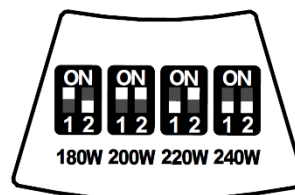
MODEL	QUANTITY	WEIGHT	UPC CODE
LOC-GDHB-MW(80/100/120/150)50KDLV	1	lbs	00810050941020
LOC-GDHB-MW(180/200/220/240)50KDLV	1	lbs	00810050941280

ADJUSTABLE WATTAGES:

LOC-GDHB-MW(80/100/120/150)50KDLV

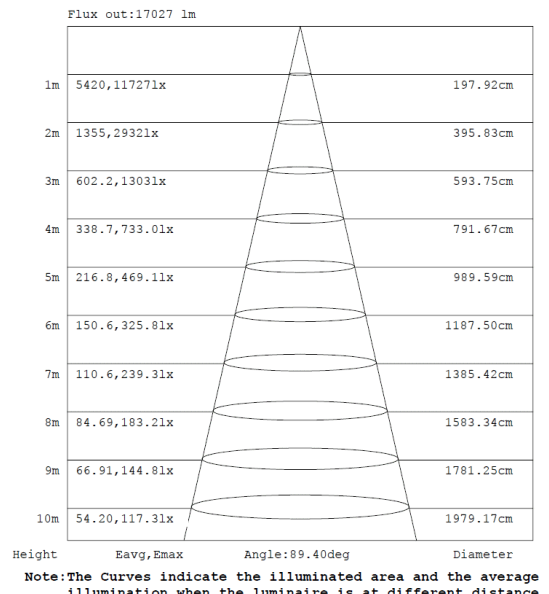
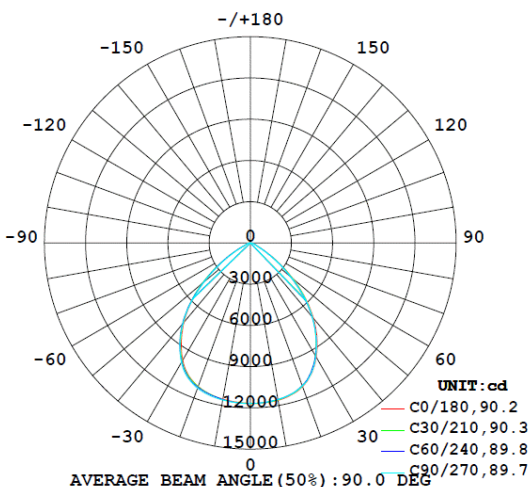


LOC-GDHB-MW(180/200/220/240)50KDLV

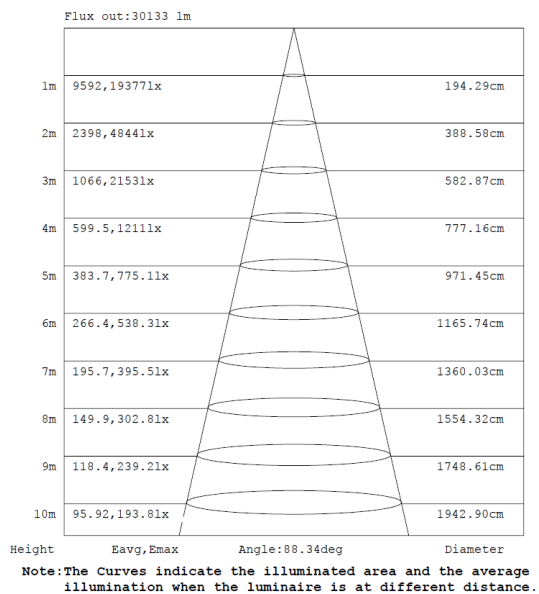
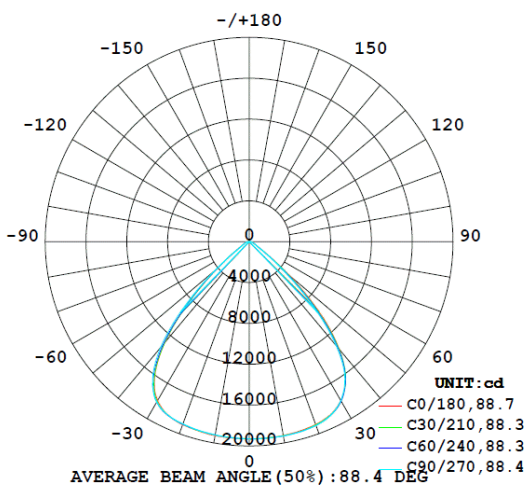


PHOTOMETRIC DATA

80W / 100W / 120W / 150W



180W / 200W / 220W / 240W



OPTIONAL ACCESSORIES



Motion Sensor
HD06VCRH
(Compatible with remote control)



Remote Control
LOC-GDHB-HD05R



Photocell
HS05
(Compatible with remote control)



Emergency Driver
LOC-HBEMDR-25WHV



Reflector