

LEDone®

LOC-RDCP Multi Watt Multi CCT Series Installation Guide

SAFETY INSTRUCTIONS: Read instructions carefully before attempting to install fixture.

- All wiring should be performed by a qualified electrician.
- Disconnect power before installing or servicing. This fixture must be wired in accordance with the National Electrical Code and applicable local codes and ordinances.
- Proper grounding is required to ensure personal safety.
- This fixture is for outdoor use and should not be used in areas with limited ventilation or high ambient temperatures.

CAUTION: Risk of fire

- **WARNING:** Make certain power is OFF before installing or maintaining fixture. No user serviceable parts inside.

CLEANING & MAINTENANCE:

CAUTION: Be sure the fixture temperature is cool enough to touch. Do NOT clean or maintain while the fixture is energized.

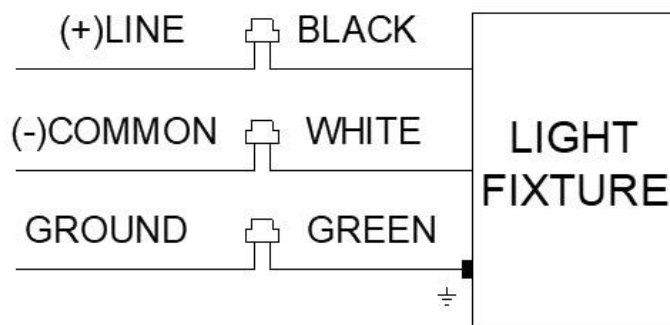
1. Clean lens with non-abrasive cleaning solution.
2. Do NOT open fixture to clean the LED. Do NOT touch the LED.

Note: These instructions do not cover all details or variation in equipment, nor do they provide for every possible situation during installation, operation or maintenance.

WIRING:

Universal voltage driver permits operation at 120V through 277V, 50/60Hz except fixtures the factory ordered with a (PC).

1. Connect the BLACK fixture lead to the (+) LINE supply lead.
2. Connect the WHITE fixture lead to the (-) COMMON supply lead.
3. Connect the GREEN fixture lead to the supply ground.

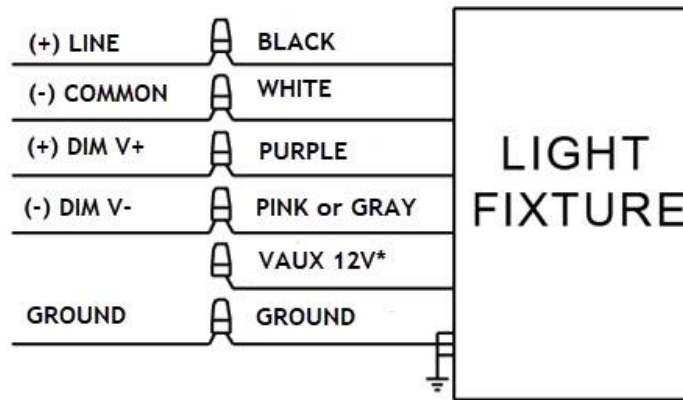


0-10V DIMMABLE WIRING:

Universal voltage driver permits operation at 120V through 277V, 50/60Hz. For 0-10V dimming, follow the wiring instructions in the figure below.

1. Connect the BLACK fixture lead to the (+) LINE supply lead.
2. Connect the WHITE fixture lead to the (-) COMMON supply lead.
3. Connect the GROUND wire from fixture to supply ground. DO NOT connect the GROUND of the dimming fixture to the output.
4. Connect the PURPLE fixture lead to the (V+) DIM lead.
5. Connect the PINK or GRAY fixture lead to the (V-) DIM lead.
6. The driver comes with dimmable leads. If it is unused, make sure the leads are properly capped (if applicable).

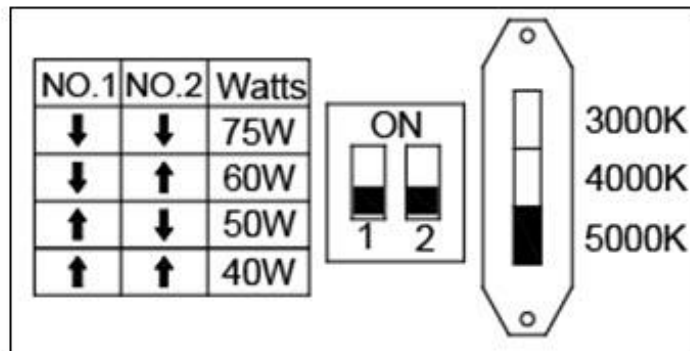
0-10V Dimming



*Vaux 12V wire can be: BLACK/WHITE or BLACK/YELLOW or BLACK/RED

WATTAGE AND CCT ADJUSTABLE TABLE SWITCH SETTING:

(Only for models with wattage and CCT adjustable functions.)



Default Wattage: 75W

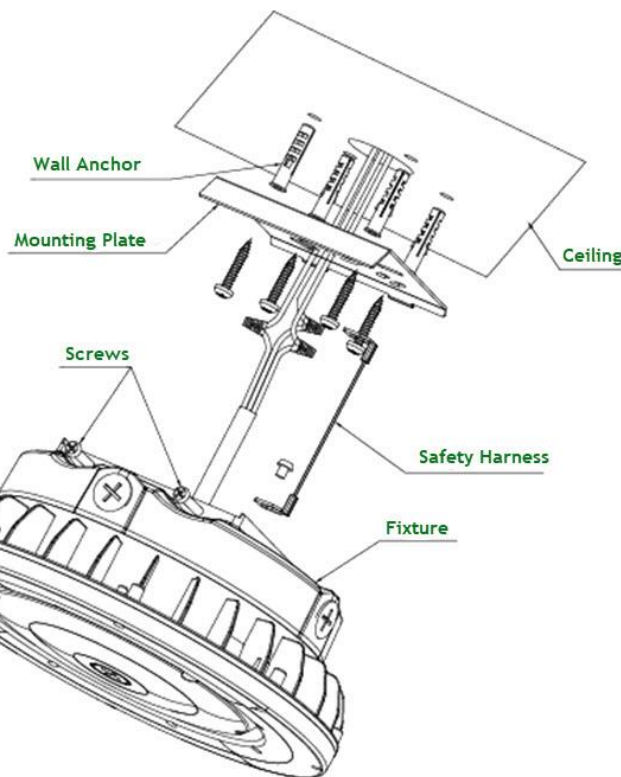
Default CCT: 5,000K

LOC-RDCP-MW(40/50/60/75)MCCT(30/40/50)DLV	
Wattage Options	CCT Options
40W	3,000K
50W	4,000K
60W	5,000K
75W	

INSTALLATION OPTIONS: Canopy Mounting or Pendant Mounting

CANOPY MOUNTING:

1. Install the mounting plate to a sturdy mounting surface.
2. Tighten the 4 screws. The safety harness MUST be connected onto 1 of the screws.
3. Connect the wires properly.
4. Slide the fixture horizontally into the 2 card slots of the mounting plate.
5. Tighten the 2 screws on the fixture side.



PENDANT MOUNTING: (not included)

1. Feed the fixture wires through the pendant pipe.
2. Mount the pendant pipe into the top nut of the fixture.

