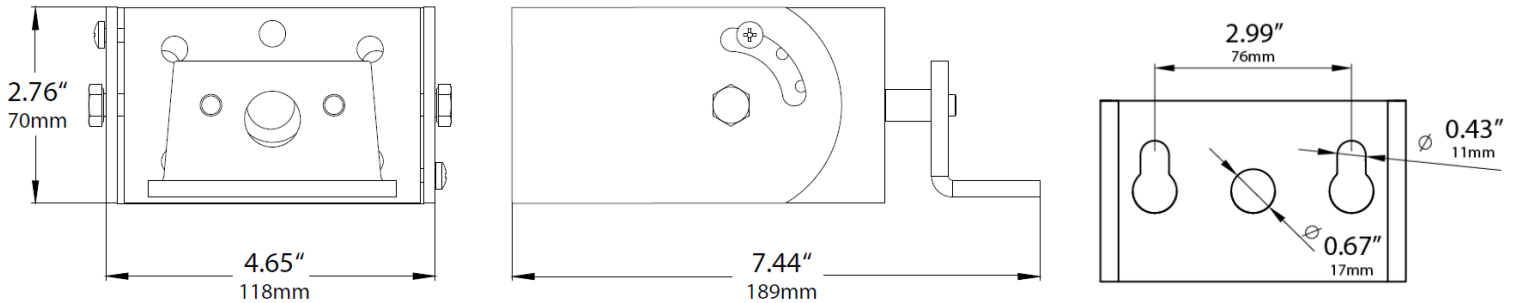


## Trunnion Mount for LOC-RGAL, LOC-SPAL & LOC-FL Series



MODEL	QUANTITY	WEIGHT	UPC CODE
Trunnion for LOC-RGAL, LOC-SPAL & LOC-FL	1	3.2 lbs	00815586028696

## MEASUREMENTS



**TRUNNION MOUNTING:** Follow mounting directions as in Fig. 2.

**CAUTION:** UL and CUL listed or CSA certified liquid tight cord grip suitable for use with 3 conductor type STW flexible cord shall be used for connection to a wet location outlet box provided by others.

- Loosen the pivot bolts and angle locking screw.
- Adjust the fixture to desired angle.
- Tighten pivot bolts and angle locking screw.

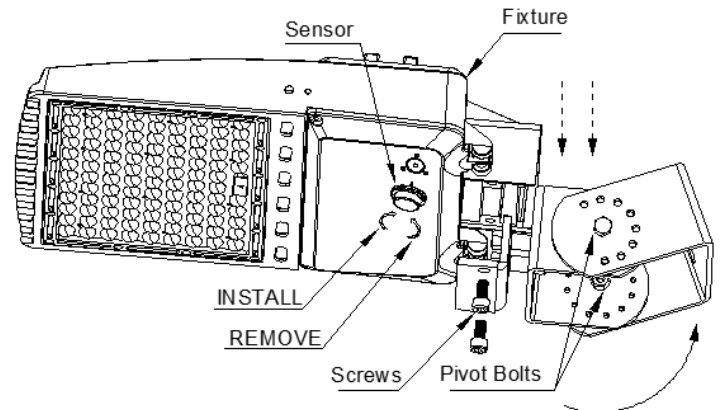


FIG.2