

LEDone®

LOC-9RDDL-17WMCCT Series Installation Guide

SAFETY INSTRUCTIONS: Read instructions carefully before attempting to install fixture.

- Fixture must be wired in accordance with the National Electrical Code and all applicable local codes.
- Proper grounding is required for safety.
- This product must be installed in accordance with the applicable installations code by a person familiar with the construction and operation of the product and the hazards involved.
- Operating temperature: -20°C to 40° (-4°F to 104°F).

CAUTION: Risk of fire

- **Risk of electrical shock!** Disconnect power before installing or servicing.
- No user serviceable parts inside. To avoid electrical shock, do **NOT** disassemble the product.
- **WARNING:** Risk of fire or electric shock, installation requires knowledge of luminaires electrical systems. If not qualified, do **NOT** attempt installation. Contact a qualified electrician.
- **WARNING:** To prevent overheating, do **NOT** install in an enclosed fixture.
- This product is **NOT** intended for use in emergency light fixtures or exit signs.
- Do **NOT** make or alter any open holes in an enclosure of wiring or electrical components during kit installation.
- **WARNING:** To prevent wiring damage or abrasion, do **NOT** expose wiring to edges of sheet metal or other sharp objects.
- This fixture is accepted as a component of a luminaire where the suitability of the combination shall be determined by authorities having jurisdiction. Product must be installed by a qualified electrician in accordance with the applicable and appropriate electrical codes. The installation guide does not supersede local national regulations for electrical installation.
- **Caution: Risk of fire!** Consult a qualified electrician to ensure the correct branch circuit conductor.
- **WARNING:** This device complies with Part 15 of the FCC rules and has been tested and found to comply with the limits for a Class B digital device. These limits are designed to provide reasonable protection against harmful interference in a residential installation. This equipment generates, uses and can radiate frequency energy and if not installed and used in accordance with the instructions, may cause harmful interference to radio communications.
- Operation is subject to the following two conditions: (1) This device may not cause harmful interference, and (2) This device must accept any interference received, including interference that may cause undesired operation.
- **CAUTION:** Changes of modifications not expressly approved by the party responsible for compliance could void the user's authority to operate this equipment.
- **CLEANING & MAINTENANCE:**

CAUTION: Be sure the fixture temperature is cool enough to touch. Do **NOT** clean or maintain while the fixture is energized.

1. Clean frosted polystyrene lens and fixture with non-abrasive cleaning solution.
2. Do **NOT** open fixture to clean the LEDs. Do **NOT** touch the LEDs.

Note: These instructions do not cover all details or variation in equipment, nor do they provide for every possible situation during installation, operation or maintenance.



Wire Nut X3PCS



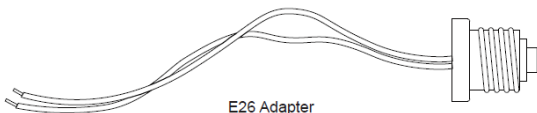
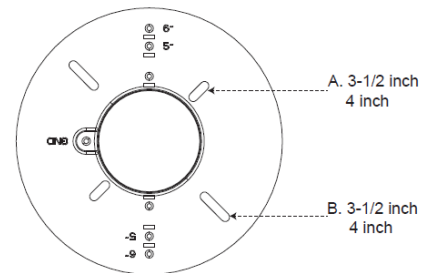
For Mounting Plate



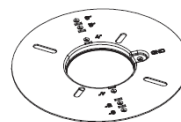
For
1. Torsion springs



Torsion springs



E26 Adapter



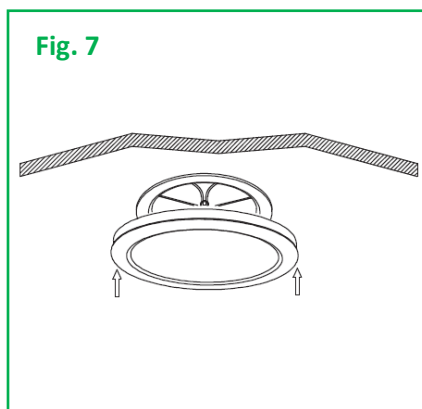
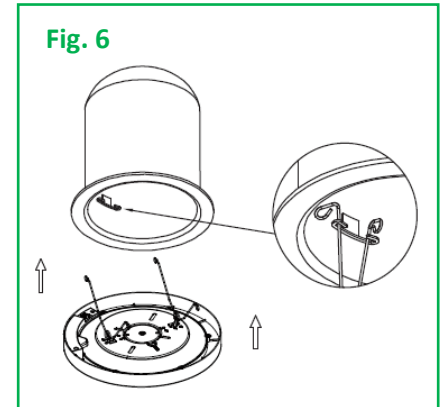
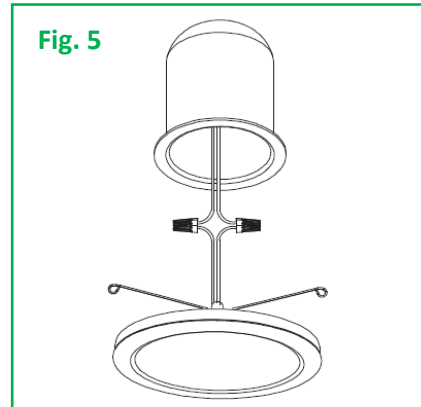
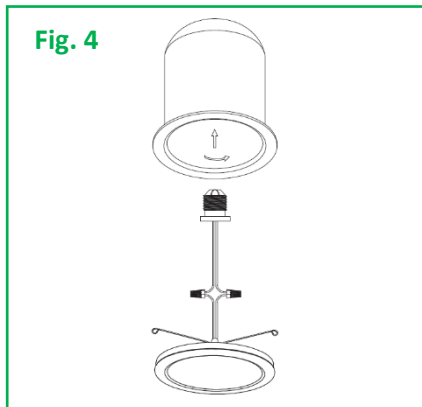
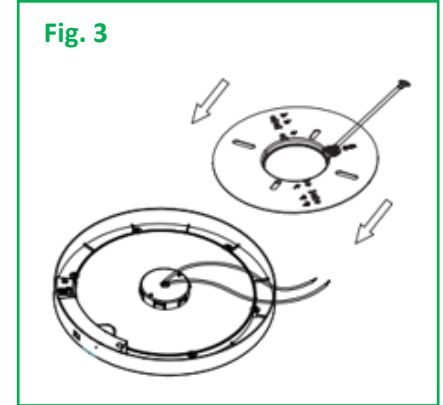
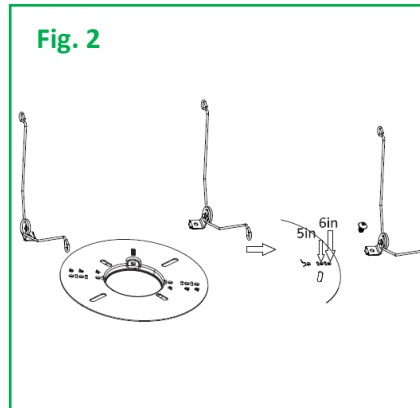
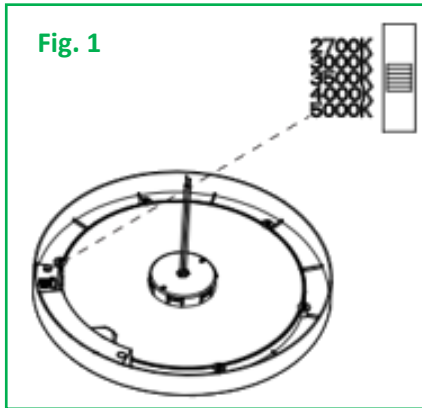
Mounting Plate

3-1/2 inch & 4 inch for Junction box
5 inch & 6 inch for Recessed housing

LOC-9RDDL-17WMCCT Series Installation Guide

TORSION CLIP INSTALLATION:

1. Turn the power off.
2. Select desired color temperature by moving the switch on the back side. **(Fig. 1)**
3. Attach the 2 torsion springs onto the mounting plate. **(Fig. 2)**
4. Install the mounting plate onto the back of the fixture. **(Fig. 3)**
5. Using the included wire nuts, connect the wire of the E26 adapter to the wires of the LED fixture.
6. Thread the E26 adapter into the socket in the recessed housing. **(Fig. 4)**
7. Tuck all wires into the recessed housing and carefully push the trim into the recessed housing. **(Fig. 5)**
8. Push the fixture into the recessed housing until the trim ring is flush with the ceiling and make sure it is fully secured before releasing. **(Fig. 6-7)** (note: when mounting to a textured, popcorn or uneven masonry surface, use a silicone sealant to ensure a waterproof seal.)



LOC-9RDDL-17WMCCT Series Installation Guide

JUNCTION BOX INSTALLATION:

1. Turn the power off.
2. Select desired color temperature by moving the switch on the back side. **(Fig. 1)**
3. Prepare the mounting plate by choosing the holes on the plate to match with your junction box. **(Fig. 2)**
4. Connect the **ground wire** from the mounting plate to the ground wire in the junction box with wire nuts. **(Fig. 3)**
5. Then connect the **black wire** to the hot supply wire and the **white wire** to the supply neutral wire with wire nuts. **(Fig. 4)**
6. Align the holes in the mounting plate to the junction box. Using the screws, attach the mounting plate to the junction box. **(Fig. 5)**
7. Push the fixture into the mounting plate and make sure it is fully secured before releasing. **(Fig. 5)**
8. Tighten the screws until the mounting plate is flush with the ceiling. Then turn the fixture to make sure it is locked in place. **(Fig. 6)**

