

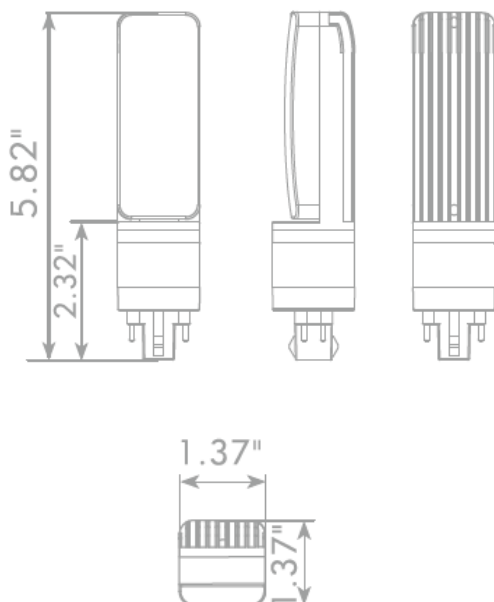
## PRODUCT DESCRIPTION:

This PL Lamp can be used in retrofitting type IC or non-IC recessed mount listed luminaires. This lamp is Type A vertical pin base bulb with die cast aluminum heat sink. Type A PL retrofit lamps only work with electronic ballast, no need to bypass. They can be replacement for CFL bulbs in variety of existing lamp installation of commercial applications.

## FEATURES:

- **Cannot** be used for totally enclosed fixture
- Ballast compatible
- Mercury Free
- No UV
- Easy low-cost maintenance

## DIMENSIONS:



## 12W Type A PL Lamp Horizontal

12PL03HG24QLED30



### SPECIFICATIONS:

SPECIFICATION	Details
Model	12PL03HG24QLED30
Input Wattage (W)	12W
Lumens Delivered (LM)	900LM
Efficacy (LM/W)	100LM/W
CRI	82
Lifespan	50,000 hours
Color Temperature	3,000K
Wattage Equivalent	26W CFL or 6" can suitable
Dimmable	No
IP Rating	IP40
Beam Angle	140
Input Voltage	AC120-277V
Power Factor	0.97
Housing	Aluminum
Lens	Frosted
Mounting	G24Q
THD	10%
Size	5.82" x 1.37"
Certification	DLC, UL
Operating Temperature	-20°C to 50°C (-4°F to 105°F)
Environment	Inside
Warranty	5 years limited



Ballast Description			Compatibility Test Result			
Electrical Characteristic			1-Lamp		2-Lamp	
Brand	Model	Volt	120 VAC	277 VAC	120 VAC	277 VAC
LUMA PRO	16X954	120-277V	✓	✗	✓	✓
LUMA PRO	4KGJ7	120-277V	✓	✓	✓	✓
LUMA PRO	4KGJ8	120-277V	✓	✓	✓	✓
LUMA PRO	16X959	120-277V	✗	✗	✓	✓
Universal/Triad	C213UNVME	120-277V	✓	✓	✓	✓
Universal/Triad	C218UNVME	120-277V	✓	✓	✓	✓
Universal/Triad	C242UNVME	120-277V	✓	✗	✓	✓
Universal/Triad	C2642UNVME	120-277V	✓	✓	✓	✓
HOWARD INDUSTRIES	EP2/13CF/MV	120-277V	✓	✓	✓	✓
HOWARD INDUSTRIES	EP2/18CF/MV	120-277V	✓	✓	✓	✓
HOWARD INDUSTRIES	EP2/26CF/MV2	120-277V	✓	✓	✓	✓
GE	GEC218MVPSEBES	120-277V	✓	✓	✓	✓
PHILIPS/ADVANCE	ICF-2S18-H1-LD	120-277V	✓	✓	✓	✓
PHILIPS/ADVANCE	ICF-2S26-H1-LD	120-277V	✓	✓	✓	✓
PHILIPS/ADVANCE	ICF-2S42-M2-LD	120-277V	✓	✗	✓	✓
PHILIPS/ADVANCE	ICF-2S13-H1-LD	120-277V	✓	✓	✓	✓
ORSRAM/SYLVANIA	QTP1/2X18CF/UNVDM	120-277V	✓	✓	✓	✓
ORSRAM/SYLVANIA	QTP2X26CF/UNVDM	120-277V	✓	✓	✓	✓
ORSRAM/SYLVANIA	QTP1/2X13CF/UNVDM	120-277V	✓	✓	✓	✓
HATCH	HC226PSUV/D	120-277V	✓	✓	✓	✓
CH	ACT2S26PSUNV	120-277V	✓	✓	✓	✓
STANDARD	31279STD	120-347V	✓	✓	✓	✓
STANDARD	31527STD	120-347V	✗	✓	✗	✓
KEYSTONE	KTEB-213-UV-PS-DW	120-277V	✓	✓	✓	✓
KEYSTONE	KTEB-218-UV-PS-DW	120-277V	✓	✓	✓	✓
KEYSTONE	KTEB-226-UV-PS-DW	120-277V	✓	✓	✓	✓
KEYSTONE	KTEB-218-UV-RS-DW	120-277V	✓	✓	✓	✓
FULHAM	RHAUNV226C	120-277V	✗	✗	✓	✓
FULHAM	WH2120L	120-277V	✓	✗	✓	✗
FULHAM	WH2120C	120-277V	✓	✗	✓	✗
FULHAM	RHAUNV213C	120-277V	✗	✗	✓	✓
FULHAM	RHA-UNV-218-C	120-277V	✗	✗	✓	✓
FULHAM	WH3-120-C	120-277V	✓	✗	✓	✗
FULHAM	WH3-277-L	120-277V	✗	✓	✗	✓
FULHAM	WH4-277-L	120-277V	✗	✓	✗	✓
FULHAM	RHA-UNV-242-C	120-277V	✗	✗	✓	✓

**Remarks:**

Manufacturer of LED Type A PL G24Q Lamps has a limitation of compatibility, not compatible with ALL ballasts, they were tested for compatibility with the above listed electronic ballasts. Ballasts that do not appear on the chart might still be compatible but have not been tested. It is a general recommendation to perform a test on-site before installing the LED lamps.