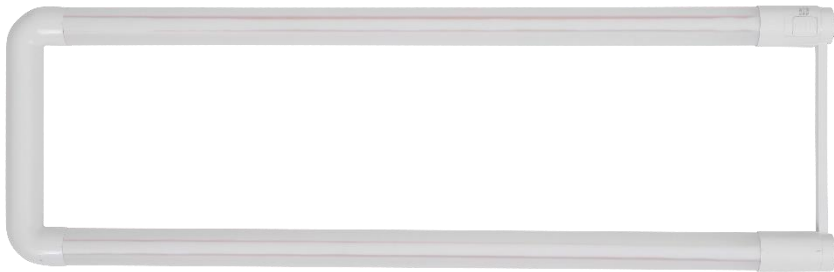


LED 2FT U-Shaped Type A + B Multi CCT Tube Series



FEATURES

- Type A + B
- Low thermal decay & maintenance
- No Mercury, UV or Lead
- IP20 rated
- 50,000 hours lifetime
- NSF rated for food zone (non-contact),

SUITABLE APPLICATIONS

- Commercial buildings
- Hotels
- Conference rooms
- Schools
- Supermarkets
- Factories
- Hospitals
- Office Buildings
- Airports

CONSTRUCTION:

Glass with shatterproof coating. Frosted lens. G13 base.

OPTICAL SYSTEM:

Hongli 2835 LED chips. 220° beam angle and 340° field angle.

WARRANTY:

5-year limited warranty. Actual performance may differ as a result of end-user environment and

ELECTRICAL:

Available as 120-277V input. -20°C to 45°C, -4°F to 113°F

INSTALLATION & MOUNTING:

Type A + B

DIMMING:

This tube is able to be dimmed, work with an external 0-10V dimming module. Please contact Sales Rep for more information.



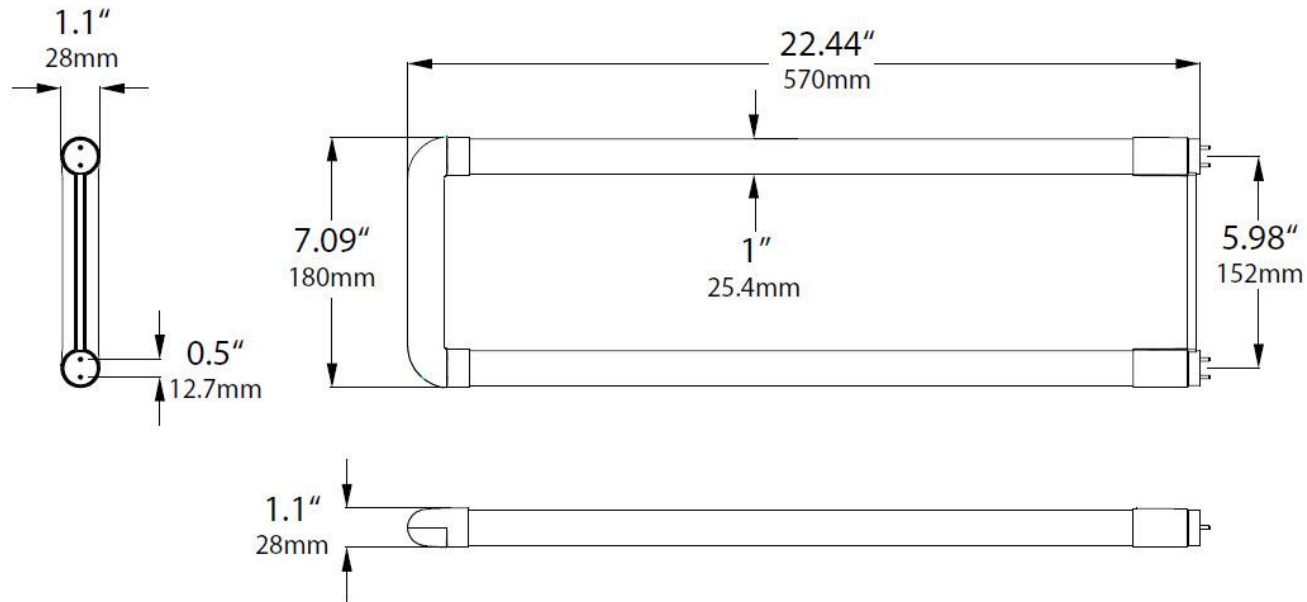
MODEL NUMBER	WATTAGE	LUMENS	EFFICACY	CRI	POWER FACTOR	THD	REPLACES
LOC-T82FTU-15WMCCT(35/40/50)D AB	15W	1,980LM	120LM/W	83	0.9	20%	32W/23T8/U6/RS

DLC Product ID:

- LOC-T82FTU-15WMCCT(35/40/50)D AB – S-T1SQD8

Series	Type	Wattage	CCT Options	Power
LOC-	2FTU = 2 Foot U-Shaped	15W	3500K 4000K 5000K	AB = Type A + B

MEASUREMENTS



MODEL NUMBER	QUANTITY	WEIGHT	UPC CODE
LOC-T82FTU-15WMCCT(35/40/50)D AB	1	0.55 lbs	00810050942898