

LOC-SPAL MW Series Installation Guide

SAFETY INSTRUCTIONS: Read instructions carefully before attempting to install fixture.

- All wiring should be performed by a qualified electrician.
- Disconnect power before installing or servicing. This fixture must be wired in accordance with the National Electrical Code and applicable local codes and ordinances.
- Proper grounding is required to ensure personal safety.

CAUTION: Risk of fire

- **WARNING:** Inspect fixture for any damage that could have happened in transit. Do NOT install a fixture that is damaged.
- **WARNING:** Make certain power is OFF before installing or maintaining fixture. No user serviceable parts inside.
- **WARNING:** Do NOT exceed maximum wattage marked on the fixture label.
- **WARNING:** Follow all of the warnings, recommendations and restrictions including, but not limited to driver type, burning position and mounting locations/methods.
- **WARNING: RISK OF FIRE:** Keep combustible and other materials that can burn away from fixture.
- **WARNING: RISK OF FIRE:** Do NOT operate near persons, combustible materials or substances affected by heat.
- **WARNING:** Never connect components under load.
- **WARNING:** Do NOT mount or support these fixtures in a manner that can cut the outer jacket or damage wire insulation.
- **WARNING:** Controls for dimming, auto-sensing or remote control of a fixture that are not factory-wired to the fixture must be checked for compatibility with the fixture prior to installation. LED fixtures must be powered directly off a switched circuit.
- **WARNING:** Unless individual product specifications deem otherwise, do NOT restrict fixture ventilation. Allow for some volume of airspace around the fixture. Avoid covering LED fixtures with insulation, foam or other material that will prevent convection or cooling.
- **WARNING:** Unless individual product specifications deem otherwise, do NOT exceed fixtures maximum ambient temperature.

CLEANING & MAINTENANCE:

CAUTION: Be sure the fixture temperature is cool enough to touch. Do NOT clean or maintain while the fixture is energized.

1. Clean lens with non-abrasive cleaning solution.
2. Do NOT open fixture to clean the LED. Do NOT touch the LED.

Note: These instructions do not cover all details or variation in equipment, nor do they provide for every possible situation during installation, operation or maintenance.

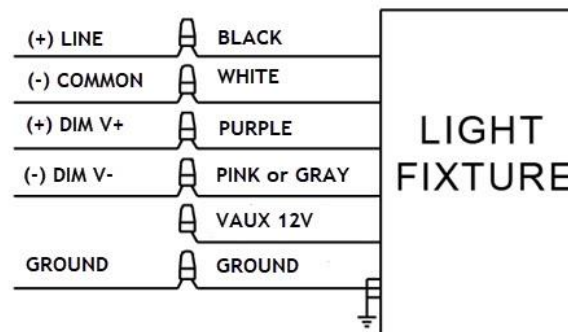
TROUBLESHOOTING:

1. Check that the line voltage at fixture is correct. Refer to wiring directions.
2. Check that the fixture is grounded properly.

0-10V DIMMABLE WIRING:

Universal voltage driver permits operation at 120V through 277V, 50/60Hz. For 0-10V dimming, follow the wiring instructions.

- Connect the BLACK fixture lead to the (+) LINE supply lead.
- Connect the WHITE fixture lead to the (-) COMMON supply lead.
- Connect the GROUND wire from fixture to supply ground. Do NOT connect the GROUND of the dimming fixture to the output.
- Connect the PURPLE fixture lead to the (V+) DIM lead.
- Connect the GRAY fixture lead to the (V-) DIM lead.
- Cap the YELLOW fixture lead, if present. Do NOT connect.



MOUNTING OPTIONS: DO NOT MOUNT WITH LIGHT AIMING UP!!! ALL installation methods should be caulked to mounting surface.

- **ADJUSTABLE ARM MOUNTING:** Follow mounting directions shown in Fig. 1 - 3
 - **Square Pole Installation:** Install the arm base on the square pole (Fig.1), connect the wires correctly and slide the fixture down to the arm base and screw the 2 safety screws.
 - **Round Pole Installation:** Make the mount base arch-shaped to fit the round pole (Fig. 2), screw the plate and mounting base together (Fig. 3), connect the wires correctly and slide the fixture down to the arm base and screw the 2 safety screws.

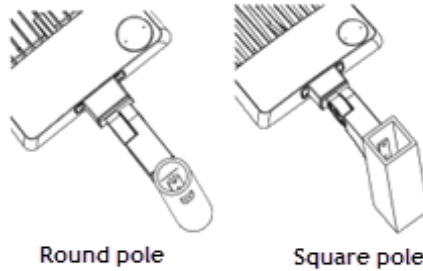
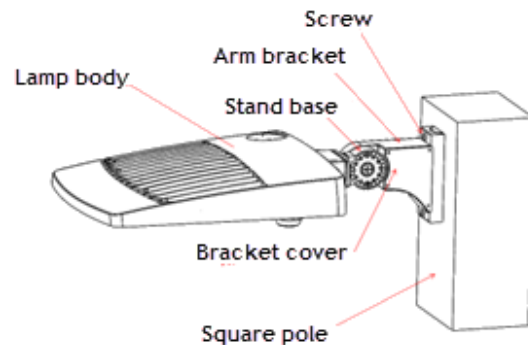
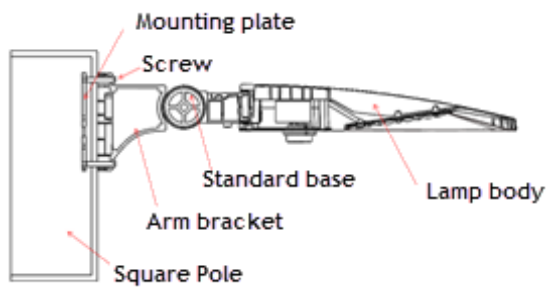
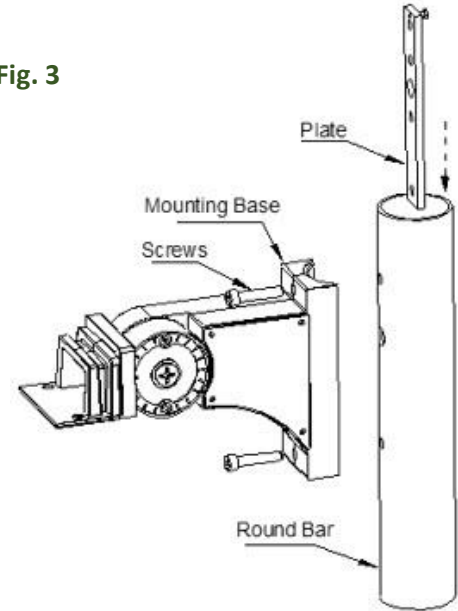
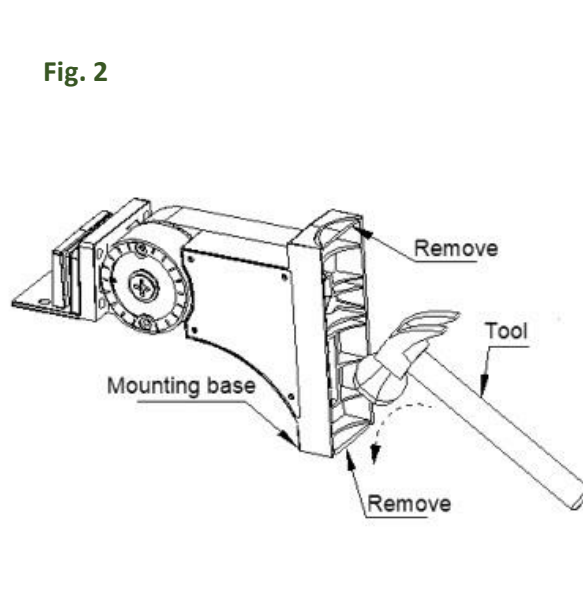
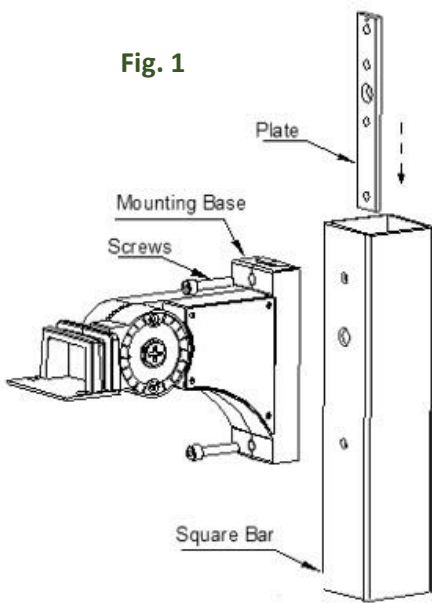


Fig. 1

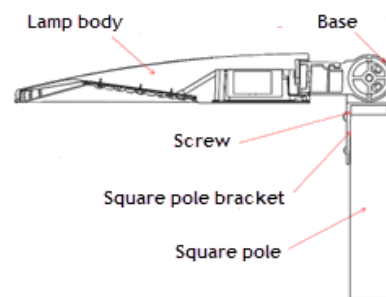
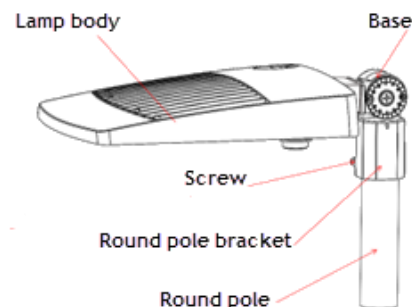
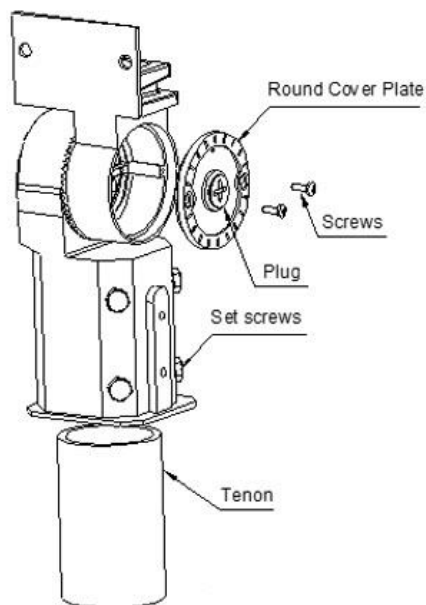
Fig. 2

Fig. 3



- **SLIP FITTER MOUNTING:** Follow mounting directions shown in Fig. 4
 - The slip fitter mounting fits a 2 3/8" O.D. tenon. Place the slip fitter over the tenon and secure the fixture with the set screws (2) on the side of the slip fitter.
 - Remove 2 screws on side of round cover plate. Remove the round cover plate and adjust the angle of the fixture.
 - Loosen the locking bolt and swivel fixture to desired angle.
 - Tighten the locking bolt and re-attach the round cover plate.

Fig. 4

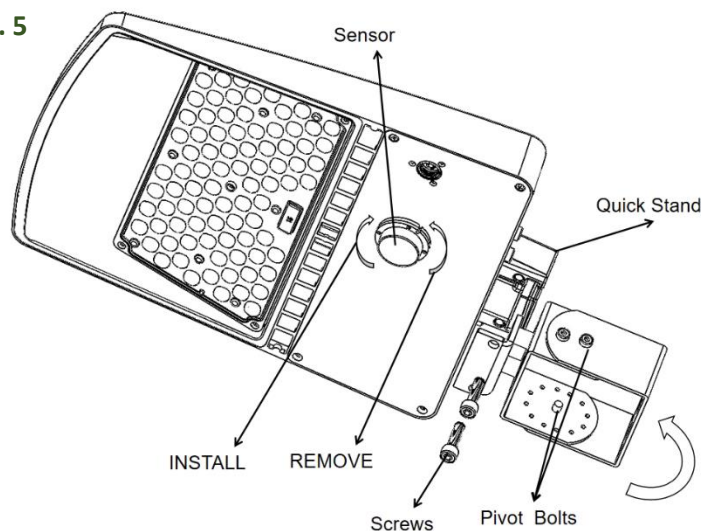


- **TRUNNION MOUNTING:** Follow mounting directions shown in Fig. 5

CAUTION: UL and CUL listed or CSA certified liquid tight cord grip suitable for use with 3 conductor type STW flexible cord shall be used for connection to a wet location outlet box provided by others.

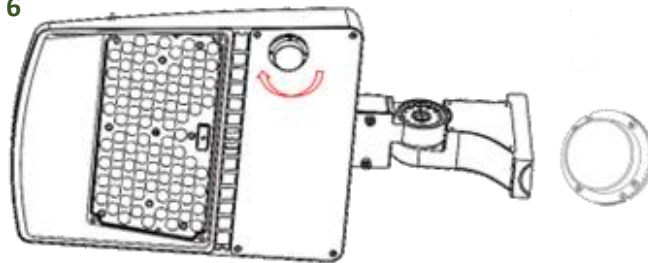
 - Loosen the pivot bolts and angle locking screw.
 - Adjust the fixture to desired angle.
 - Tighten pivot bolts and angle locking screw.

Fig. 5



- **INSTALLING MOTION SENSOR:** Follow directions shown in Fig.6
 - At the corresponding position on the front of the lamp body, place the motion sensor in the socket and rotate it clockwise about 720° to complete the fixation. If it is protected by a plug, use a flat-head screwdriver to remove the plug before installing the sensor.

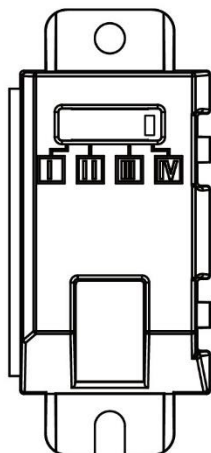
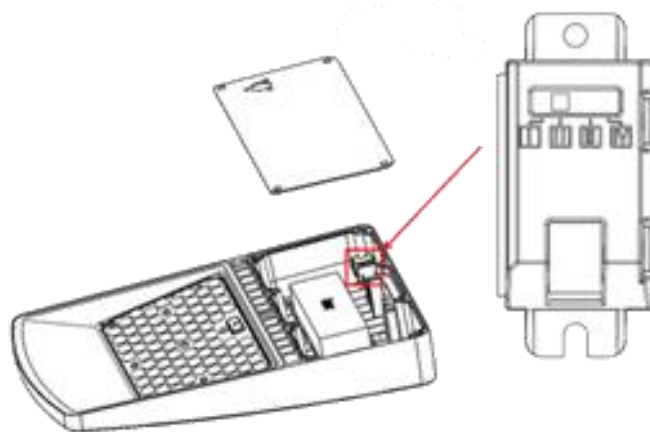
Fig. 6



WATTAGE ADJUSTABLE TABLE SWITCH SETTING:

(Only for models with wattage adjustable function.)

1. Place fixture flat on surface with the front side facing up.
2. Use a cross wrench to loosen the (4) cross screws in the cover.
3. Locate the level switch and set to desired wattage based on the sticker.
4. Reinstall the cover by tightening the (4) cross screws. Make sure the wires are not pinched before closing.



Model: LOC-SPAL-MW(50/80/100/150)50KD-T3LV
I = 150W II = 100W III = 80W IV = 50W
Default Wattage: 150W

Model: LOC-SPAL-MW(180/200/240/320)50KD-T3LV
I = 320W II = 240W III = 200W IV = 180W
Default Wattage 320W