

LEDone®

Date: _____ Location: _____

Product: _____ Project: _____

Quantity: _____ Catalog #: _____



15/25/35



35/50/60



60/80/100



80/100/150



100/150/200



200/240/300



240/350/450

LED Multi Watt Multi CCT LOC-FL Flood Light Family Series

CONSTRUCTION:

Aluminum housing with polyester powder-coated finish.

OPTICAL SYSTEM:

Samsung LED chips. High quality tempered glass optics. 7H*7V beam type. 240/350/450 = 60° beam

WARRANTY:

5-year limited warranty. Actual performance may differ as a result of end-user environment and application.

ELECTRICAL:

Available as 120-277V input.

-40°C to 50°C, -40°F to 122°F

Voltage:

- 347-480V available for 200/240/300 and 240/350/450 models

INSTALLATION & MOUNTING:

See mounting options below.

DIMMING:

0-10V dimming.

FEATURES

- Default Wattage: highest wattage on fixture
- Default CCT: 5,000K
- IP65 rated
- Surge Protection:
 - 6KV for 15/25/35 & 35/50/60 models
 - 20KV for all other models
- Easy installation and maintenance
- No Mercury or UV
- Photocell included (ON/OFF switch area)
- 50,000 hours lifetime

SUITABLE APPLICATIONS

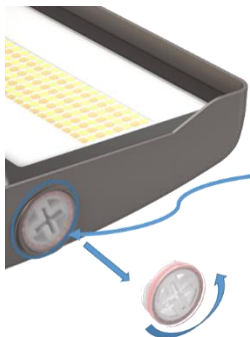
- Warehouses
- Stadiums
- Factories
- Parking Lots
- Shopping Malls
- Supermarkets
- Logistic Centers
- Auto dealerships

DLC Product ID:

- LOC-FL-MW(15/25/35)MCCT(30/40/50)D – S-J0NTH1
- LOC-FL-MW(35/50/60)MCCT(30/40/50)D – S-RD126A
- LOC-FL-MW(60/80/100)MCCT(30/40/50)D – S-JWS24R
- LOC-FL-MW(80/100/150)MCCT(30/40/50)D – S-AU3K11
- LOC-FL-MW(100/150/200)MCCT(30/40/50)D – S-QDIRO8
- LOC-FL-MW(200/240/300)MCCT(30/40/50)D – S-WO5TL2
- LOC-FL-MW(240/350/450)MCCT(30/40/50)D – S-1PTNJ4

TAA Compliant Option Available.

Contact your Sales Representative for more information.



Multi Wattage

Multi CCT

On/Off Photocell

MOUNTING OPTIONS:



Trunnion Mount
(15/25/35 & 35/50/60 models ONLY)



Knuckle Mount
(15/25/35 & 35/50/60 models ONLY)



Adjustable Arm
(100W & above models ONLY)



Trunnion
(100W & above models ONLY)



Adjustable Slip Fitter
(100W & above models ONLY)

LOC-FL-MW(15/25/35)MCCT(30/40/50)D

WATTAGE SELECTABLE	CCT SELECTABLE	LUMENS	EFFICACY	VOLTAGE	CRI	POWER FACTOR	THD	REPLACES
15W	3000K / 4000K / 5000K	2,175LM	145lm/W	120-277V	80	0.9	20%	50W – 75W HID
25W	3000K / 4000K / 5000K	3,625LM	145lm/W	120-277V	80	0.9	20%	50W – 75W HID
35W	3000K / 4000K / 5000K	5,075LM	145lm/W	120-277V	80	0.9	20%	50W – 75W HID

LOC-FL-MW(35/50/60)MCCT(30/40/50)D

WATTAGE SELECTABLE	CCT SELECTABLE	LUMENS	EFFICACY	VOLTAGE	CRI	POWER FACTOR	THD	REPLACES
35W	3000K / 4000K / 5000K	5,075LM	145lm/W	120-277V	80	0.9	20%	100W – 150W HID
50W	3000K / 4000K / 5000K	7,250LM	145lm/W	120-277V	80	0.9	20%	100W – 150W HID
60W	3000K / 4000K / 5000K	8,700LM	145lm/W	120-277V	80	0.9	20%	100W – 150W HID

LOC-FL-MW(60/80/100)MCCT(30/40/50)D

WATTAGE SELECTABLE	CCT SELECTABLE	LUMENS	EFFICACY	VOLTAGE	CRI	POWER FACTOR	THD	REPLACES
60W	3000K / 4000K / 5000K	8,700LM	145lm/W	120-277V	80	0.9	20%	150W – 250W HID
80W	3000K / 4000K / 5000K	11,600LM	145lm/W	120-277V	80	0.9	20%	150W – 250W HID
100W	3000K / 4000K / 5000K	14,500LM	145lm/W	120-277V	80	0.9	20%	150W – 250W HID

LOC-FL-MW(80/100/150)MCCT(30/40/50)D

WATTAGE SELECTABLE	CCT SELECTABLE	LUMENS	EFFICACY	VOLTAGE	CRI	POWER FACTOR	THD	REPLACES
80W	3000K / 4000K / 5000K	12,000LM	150lm/W	120-277V	80	0.9	20%	175W – 400W HID
100W	3000K / 4000K / 5000K	15,000LM	150lm/W	120-277V	80	0.9	20%	175W – 400W HID
150W	3000K / 4000K / 5000K	22,500LM	150lm/W	120-277V	80	0.9	20%	175W – 400W HID

LOC-FL-MW(100/150/200)MCCT(30/40/50)D

WATTAGE SELECTABLE	CCT SELECTABLE	LUMENS	EFFICACY	VOLTAGE	CRI	POWER FACTOR	THD	REPLACES
100W	3000K / 4000K / 5000K	15,000LM	150lm/W	120-277V	80	0.9	20%	250W – 600W HID
150W	3000K / 4000K / 5000K	22,500LM	150lm/W	120-277V	80	0.9	20%	250W – 600W HID
200W	3000K / 4000K / 5000K	30,000LM	150lm/W	120-277V	80	0.9	20%	250W – 600W HID

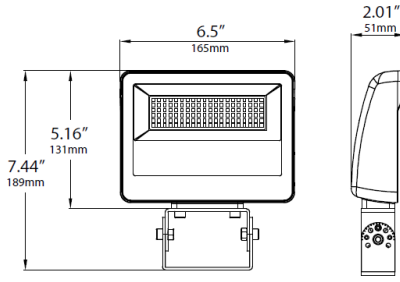
LOC-FL-MW(200/240/300)MCCT(30/40/50)D

WATTAGE SELECTABLE	CCT SELECTABLE	LUMENS	EFFICACY	VOLTAGE	CRI	POWER FACTOR	THD	REPLACES
200W	3000K / 4000K / 5000K	30,000LM	150lm/W	120-277V	80	0.9	20%	600W – 1000W HID
240W	3000K / 4000K / 5000K	36,000LM	150lm/W	120-277V	80	0.9	20%	600W – 1000W HID
300W	3000K / 4000K / 5000K	45,000LM	150lm/W	120-277V	80	0.9	20%	600W – 1000W HID

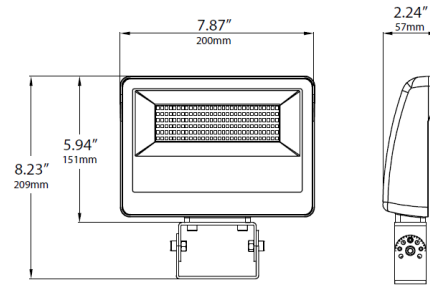
LOC-FL-MW(240/350/450)MCCT(30/40/50)D

WATTAGE SELECTABLE	CCT SELECTABLE	LUMENS	EFFICACY	VOLTAGE	CRI	POWER FACTOR	THD	REPLACES
240W	3000K / 4000K / 5000K	32,400LM	135lm/W	120-277V	80	0.9	20%	1000W – 1500W HID
350W	3000K / 4000K / 5000K	47,250LM	135lm/W	120-277V	80	0.9	20%	1000W – 1500W HID
450W	3000K / 4000K / 5000K	60,750LM	135lm/W	120-277V	80	0.9	20%	1000W – 1500W HID

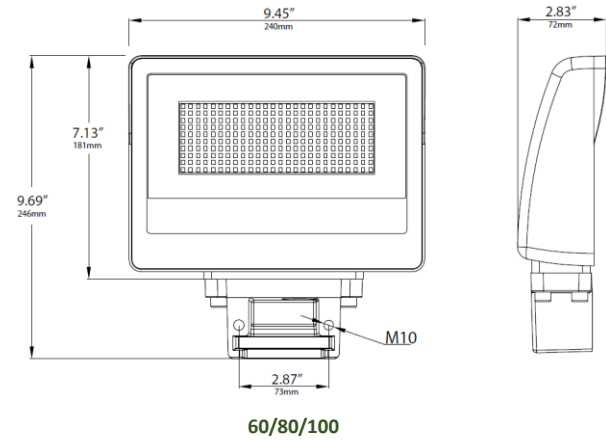
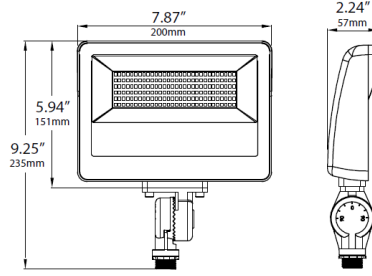
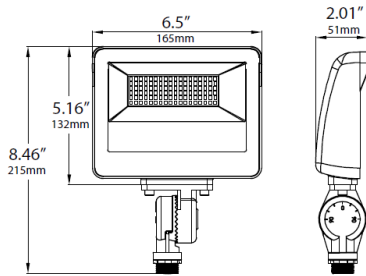
MEASUREMENTS



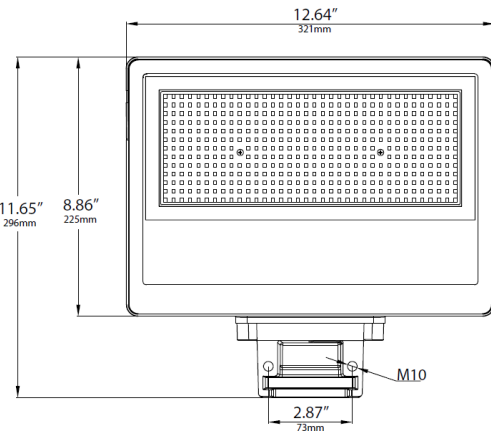
15/25/35



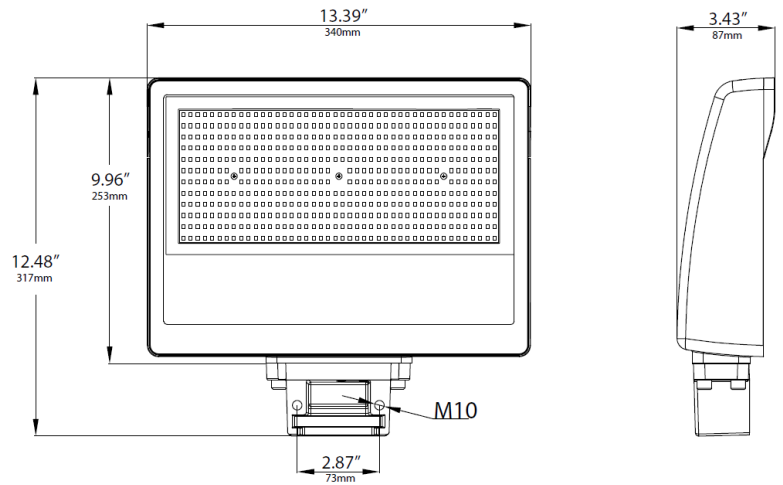
35/50/60



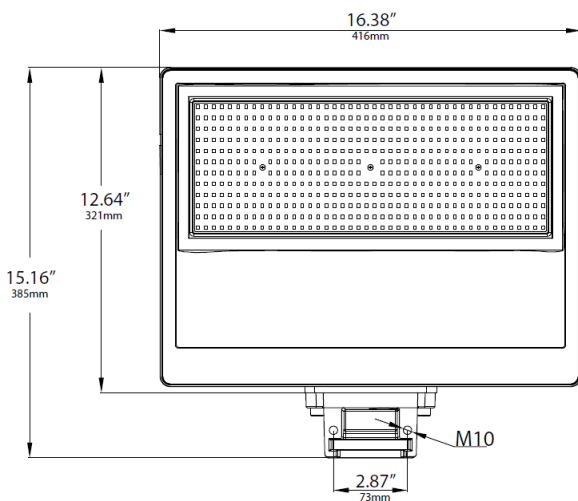
60/80/100



80/100/150

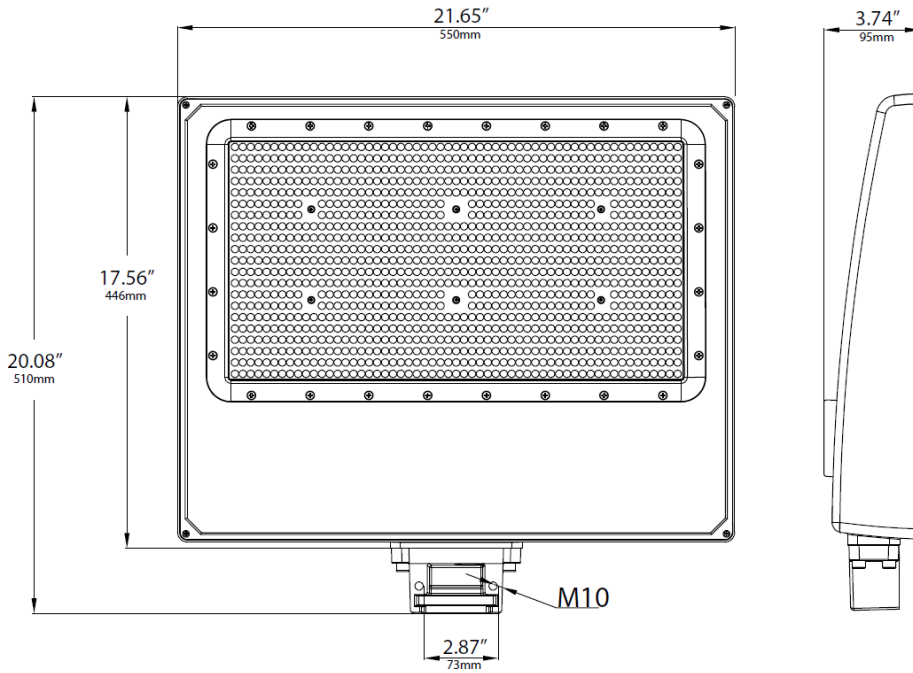


100/150/200



200/240/300

MEASUREMENTS



240/350/450

MODEL	QTY	NET WEIGHT	MASTER CARTON SIZE	GROSS WEIGHT	PCS CTN	UPC CODE
LOC-FL-MW(15/25/35)MCCT(30/40/50)	1	2.2 lbs	13.66" x 8.27" x 10.83"	15.36lbs	6	00810050942577
LOC-FL-MW(35/50/60)MCCT(30/40/50)	1	2.87 lbs	17" x 11.5" x 9"	20lbs	6	00810050942584
LOC-FL-MW(60/80/100)MCCT(30/40/50)	1	5.73 lbs	13" x 13" x 5.5"	6.3lbs	1	00810050942591
LOC-FL-MW(80/100/150)MCCT(30/40/50)	1	8.16 lbs	16" x 14.5" x 6.5"	8.8lbs	1	00810050942607
LOC-FL-MW(100/150/200)MCCT(30/40/50)	1	10.58 lbs	16.63" x 15" x 7"	12lbs	1	00815586024650
LOC-FL-MW(200/240/300)MCCT(30/40/50)	1	14.33 lbs	19.5" x 18" x 7"	15.3lbs	1	00810050942614
LOC-FL-MW(240/350/450)MCCT(30/40/50)	1	29.76 lbs	24.63" x 23.25" x 8"	25.9lbs	1	00810050942621