

LED LOC-#FTLHB Linear High Bay Light Family Series **Compatible with HB006**



2 Foot: 110W

CONSTRUCTION:

Die formed galvanized steel, white paint. Isolated driver with wide voltage input option. Frosted PMMA lens. (Clear lens special order)

OPTICAL SYSTEM:

LED chips. 120° beam angle options.

WARRANTY:

5-year limited warranty. Actual performance may differ as a result of end-user environment and application.

ELECTRICAL:

Available as 120-277V input. -20°C to 40°C, -4°F to 104°F

INSTALLATION & MOUNTING:

Surface mount, hanging hook or pendant mount.

CONTROLS & DIMMING:

1-10V dimming comes standard. Suitable for use with LED dimmers.

FEATURES

- IP40 rated
- DC 12V auxiliary
- Easy installation and maintenance
- 100,000 hours lifetime

SUITABLE APPLICATIONS

- Warehouses
- Stadiums
- Factories
- Supermarkets
- Logistic Centers
- Exhibition Halls



4 Foot: 160W or 220W

DLC Product ID:

- LOC-2FTLHB-110W50KD – PXDVQTOK
- LOC-4FTLHB-160W50KD – S-ZI5X0G
- LOC-4FTLHB-220W50KD - PVJEPYXF



MOUNTING OPTIONS:



Pendant Mount



Chain & Hook

OPTIONAL ACCESSORIES:



Motion Sensor
HB006
(Compatible with remote control)



Remote Control
LOD-GDHB-HD05R



Emergency Driver
LOC-EMDR-15W-050



Emergency Driver
LOC-EMDR-15W-050

LOC-2FTLHB-110W50KD

WATTAGE	SIZE	CCT	LUMENS	EFFICACY	VOLTAGE	CRI	POWER FACTOR	THD	REPLACES
110W	2 FOOT	5000K	15,290LM	139lm/W	120-277V	80	0.9	20%	W HID

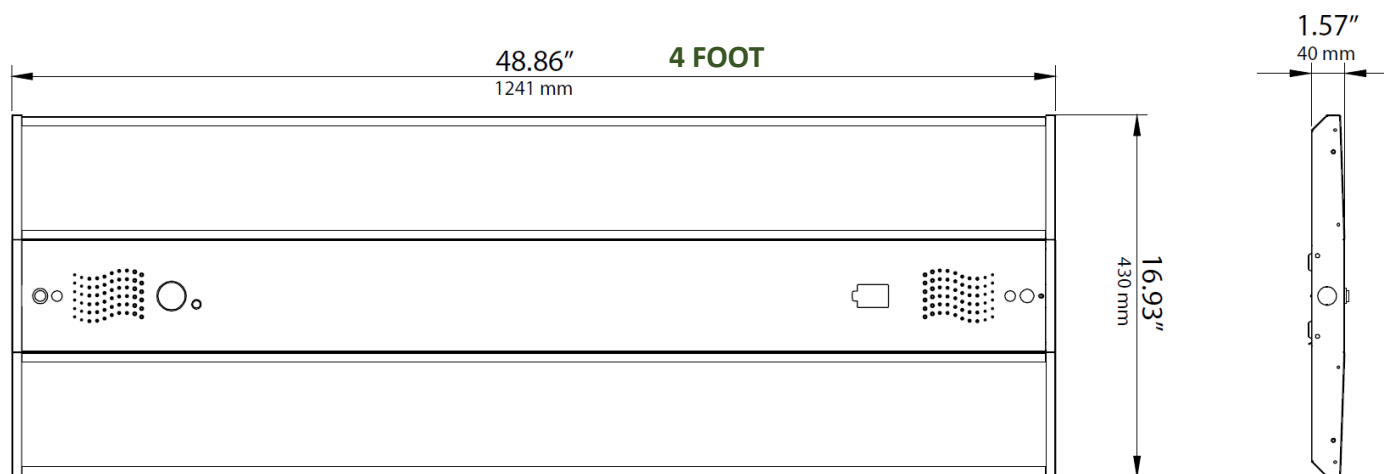
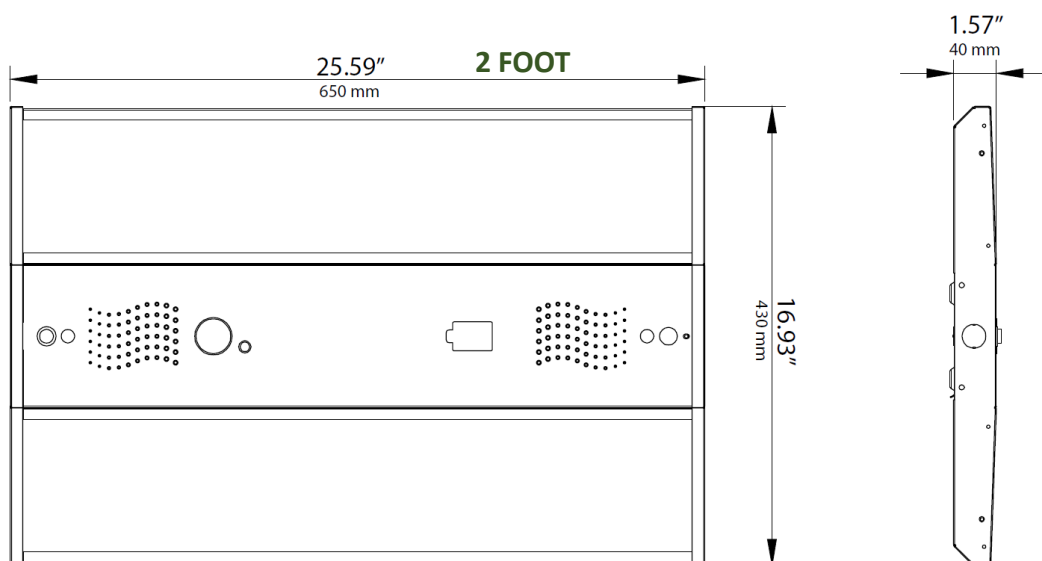
LOC-4FTLHB-160W50KD

WATTAGE	SIZE	CCT	LUMENS	EFFICACY	VOLTAGE	CRI	POWER FACTOR	THD	REPLACES
160W	4 FOOT	5000K	22,536LM	136.14lm/W	120-277V	82	0.882	14.7%	W HID

LOC-4FTLHB-220W50KD

WATTAGE	SIZE	CCT	LUMENS	EFFICACY	VOLTAGE	CRI	POWER FACTOR	THD	REPLACES
220W	4 FOOT	5000K	30,580LM	139lm/W	120-277V	80	0.9	20%	W HID

MEASUREMENTS



MODEL	QUANTITY	WEIGHT	UPC CODE
LOC-2FTLHB-110W50KD	1	11.02 lbs	00810050941099
LOC-4FTLHB-160W50KD	1	13.56 lbs	00810050941112
LOC-4FTLHB-220W50KD	1	13.56 lbs	00810050941129