

LEDone®

Date: _____ Location: _____
 Product: _____ Project: _____
 Quantity: _____ Catalog #: _____



70W / 90W / 110W or 145W / 160W / 175W



180W / 200W / 220W or 290W / 320W / 350W or
360W / 400W / 440W



MOUNTING OPTIONS:



Chain & Hook

OPTIONAL ACCESSORIES:



Microwave Sensor
LOC-ACY-S-MWS-01-G1
(Compatible with LOC-RC-WHITE-G1)



Microwave Bluetooth Sensor
LOC-ACY-S-MWS-BT-01-G1
(Compatible with App)



PIR Sensor
LOC-ACY-S-PIRS-01-G1
(Compatible with LOC-RC-WHITE-G1)



PIR Bluetooth Sensor
LOC-ACY-S-PIRS-BT-01-G1
(Compatible with App)



Remote Control
LOC-RC-WHITE-G1



Photocell (Daylight Sensor)
LOC-SK-101-4T
(Not compatible with remote control)



Motion Sensor
LOC-ANT-5-4T
(Compatible with LOD-RC-100)



Remote Control
LOD-RC-100

LED Foldable Linear High Bay Family Series

CONSTRUCTION:

Die formed galvanized steel, white paint.
Isolated driver with wide voltage input option.
Frosted PMMA lens. (Clear lens special order)

OPTICAL SYSTEM:

Lumileds 2835 LED chips. 120° beam angle options.

WARRANTY:

5-year limited warranty. Actual performance may differ as a result of end-user environment and application.

ELECTRICAL:

Available as 120-277V input.

-20°C to 40°C, -4°F to 104°F

INSTALLATION & MOUNTING:

Hanging hook.

CONTROLS & DIMMING:

0-10V dimming comes standard. Suitable for use with LED dimmers.

FEATURES

- Default Wattage:
 - 110W
 - 175W
 - 220W
 - 350W
 - 440W
- Default CCT: (on MCCT products)
 - 5,000K
- Foldable sides
- IP40 rated
- DC 12V auxiliary
- Easy installation and maintenance
- 50,000 hours lifetime

SUITABLE APPLICATIONS

- Warehouses
- Factories
- Supermarkets
- Logistic Centers
- Exhibition Halls

DLC Product ID:

- LOC-2FTFLHB-MW(70/90/110)50KD – S-07OTDY
- LOC-2FTFLHB-MW(145/160/175)50KD – S-649QJY
- LOC-4FTFLHB-MW(180/200/220)50KD – S-BF9NE4
- LOC-4FTFLHB-MW(290/320/350)50KD – S-R7NPZ1
- LOC-4FTFLHB-MW(360/400/440)50KD – S-OIJ8XS
- LOC-2FTFLHB-MW(70/90/110)MCCT(35/40/50)D – S-HLK6H1
- LOC-2FTFLHB-MW(145/160/175)MCCT(35/40/50)D – S-DG1WNS
- LOC-4FTFLHB-MW(180/200/220)MCCT(35/40/50)D – S-QH5KVY
- LOC-4FTFLHB-MW(290/320/350)MCCT(35/40/50)D – S-XWGGHJ
- LOC-4FTFLHB-MW(360/400/440)MCCT(35/40/50)D – S-7R07NZ

TAA Compliant Option Available.

Contact your Sales Representative for more information.



LOC-2FTFLHB-MW(70/90/110)50KD

WATTAGE SELECTABLE	CCT	LUMENS	EFFICACY	VOLTAGE	CRI	POWER FACTOR	THD	REPLACES
70W	5000K	10,640LM	152lm/W	120-277V	80	0.9	20%	400W HID
90W	5000K	13,680LM	152lm/W	120-277V	80	0.9	20%	400W HID
110W	5000K	16,720LM	152lm/W	120-277V	80	0.9	20%	400W HID

LOC-2FTFLHB-MW(145/160/175)50KD

WATTAGE SELECTABLE	CCT	LUMENS	EFFICACY	VOLTAGE	CRI	POWER FACTOR	THD	REPLACES
145W	5000K	22,040LM	152lm/W	120-277V	80	0.9	20%	400W – 600W HID
160W	5000K	24,320LM	152lm/W	120-277V	80	0.9	20%	400W – 600W HID
175W	5000K	26,600LM	152lm/W	120-277V	80	0.9	20%	400W – 600W HID

LOC-4FTFLHB-MW(180/200/220)50KD

WATTAGE SELECTABLE	CCT	LUMENS	EFFICACY	VOLTAGE	CRI	POWER FACTOR	THD	REPLACES
180W	5000K	27,360LM	152lm/W	120-277V	80	0.9	20%	575W – 1000W HID
200W	5000K	30,400LM	152lm/W	120-277V	80	0.9	20%	575W – 1000W HID
220W	5000K	33,440LM	152lm/W	120-277V	70	0.9	20%	575W – 1000W HID

LOC-4FTFLHB-MW(290/320/350)50KD

WATTAGE SELECTABLE	CCT	LUMENS	EFFICACY	VOLTAGE	CRI	POWER FACTOR	THD	REPLACES
290W	5000K	44,080LM	152lm/W	120-277V	80	0.9	20%	1000W – 1,400W HID
320W	5000K	48,640LM	152lm/W	120-277V	80	0.9	20%	1000W – 1,400W HID
350W	5000K	53,200LM	152lm/W	120-277V	80	0.9	20%	1000W – 1,400W HID

LOC-4FTFLHB-MW(360/400/440)50KD

WATTAGE SELECTABLE	CCT	LUMENS	EFFICACY	VOLTAGE	CRI	POWER FACTOR	THD	REPLACES
360W	5000K	54,720LM	152lm/W	120-277V	80	0.9	20%	1400W – 1700W HID
400W	5000K	60,800LM	152lm/W	120-277V	80	0.9	20%	1400W – 1700W HID
440W	5000K	66,880LM	152lm/W	120-277V	80	0.9	20%	1400W – 1700W HID

FOLDABLE STYLE



LOC-2FTFLHB-MW(70/90/110)MCCT(35/40/50)D

WATTAGE SELECTABLE	CCT SELECTABLE	LUMENS	EFFICACY	VOLTAGE	CRI	POWER FACTOR	THD	REPLACES
70W	3500K / 4000K / 5000K	10,507LM	150.1lm/W	120-277V	80	0.9	20%	400W HID
90W	3500K / 4000K / 5000K	13,509LM	150.1lm/W	120-277V	80	0.9	20%	400W HID
110W	3500K / 4000K / 5000K	16,511LM	150.1lm/W	120-277V	80	0.9	20%	400W HID

LOC-2FTFLHB-MW(145/160/175)MCCT(35/40/50)D

WATTAGE SELECTABLE	CCT SELECTABLE	LUMENS	EFFICACY	VOLTAGE	CRI	POWER FACTOR	THD	REPLACES
145W	3500K / 4000K / 5000K	21,764.5LM	150.1lm/W	120-277V	80	0.9	20%	400W – 600W HID
160W	3500K / 4000K / 5000K	24,016LM	150.1lm/W	120-277V	80	0.9	20%	400W – 600W HID
175W	3500K / 4000K / 5000K	26,267.5LM	150.1lm/W	120-277V	80	0.9	20%	400W – 600W HID

LOC-4FTFLHB-MW(180/200/220)MCCT(35/40/50)D

WATTAGE SELECTABLE	CCT SELECTABLE	LUMENS	EFFICACY	VOLTAGE	CRI	POWER FACTOR	THD	REPLACES
180W	3500K / 4000K / 5000K	27,054LM	150.3lm/W	120-277V	80	0.9	20%	575W – 1000W HID
200W	3500K / 4000K / 5000K	30,060LM	150.3lm/W	120-277V	80	0.9	20%	575W – 1000W HID
220W	3500K / 4000K / 5000K	33,066LM	150.3lm/W	120-277V	70	0.9	20%	575W – 1000W HID

LOC-4FTFLHB-MW(290/320/350)MCCT(35/40/50)D

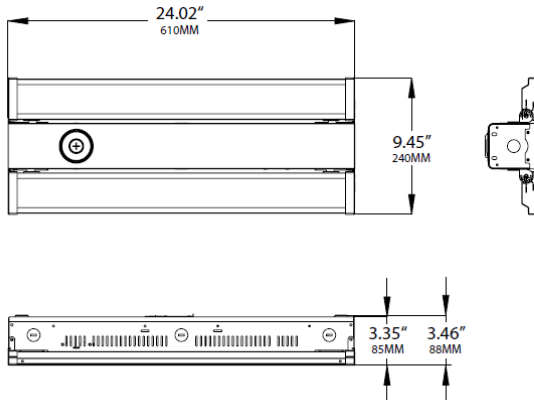
WATTAGE SELECTABLE	CCT SELECTABLE	LUMENS	EFFICACY	VOLTAGE	CRI	POWER FACTOR	THD	REPLACES
290W	3500K / 4000K / 5000K	43,587LM	150.3lm/W	120-277V	80	0.9	20%	1000W – 1,400W HID
320W	3500K / 4000K / 5000K	48,096LM	150.3lm/W	120-277V	80	0.9	20%	1000W – 1,400W HID
350W	3500K / 4000K / 5000K	52,605LM	150.3lm/W	120-277V	80	0.9	20%	1000W – 1,400W HID

LOC-4FTFLHB-MW(360/400/440)MCCT(35/40/50)D

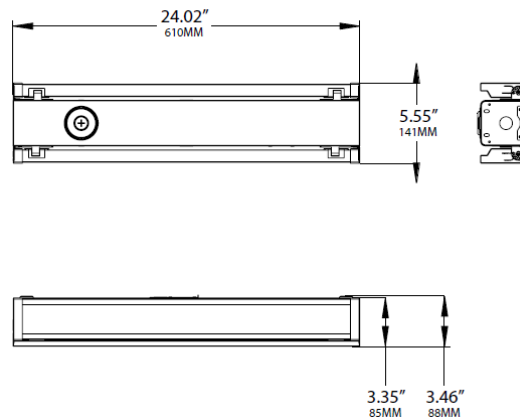
WATTAGE SELECTABLE	CCT SELECTABLE	LUMENS	EFFICACY	VOLTAGE	CRI	POWER FACTOR	THD	REPLACES
360W	3500K / 4000K / 5000K	54,144LM	150.4lm/W	120-277V	80	0.9	20%	1400W – 1700W HID
400W	3500K / 4000K / 5000K	60,160LM	150.4lm/W	120-277V	80	0.9	20%	1400W – 1700W HID
440W	3500K / 4000K / 5000K	66,176LM	150.4lm/W	120-277V	80	0.9	20%	1400W – 1700W HID

MEASUREMENTS

LOC-2FTFLHB-MW(70/90/110)50KD

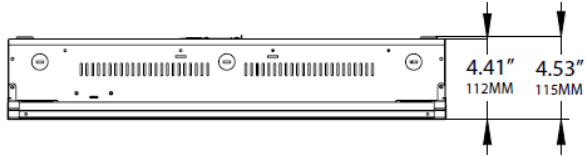
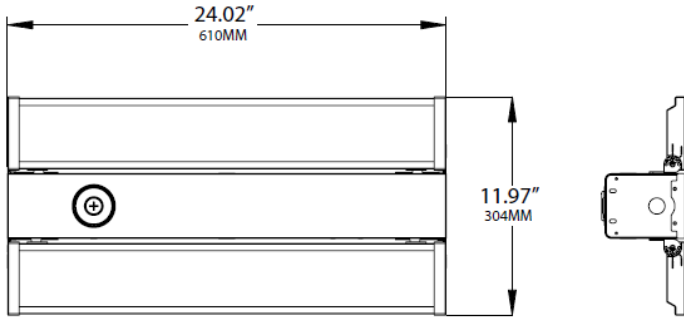


LOC-2FTFLHB-MW(70/90/110)MCCT(35/40/50)D

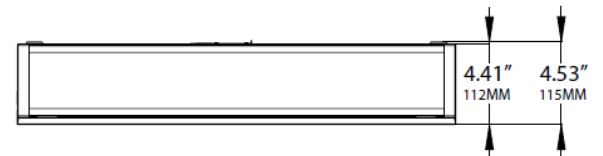
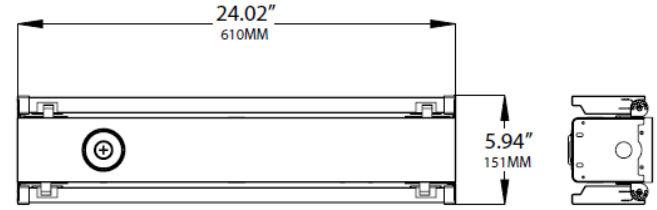


MEASUREMENTS

LOC-2FTFLHB-MW(145/160/175)50KD

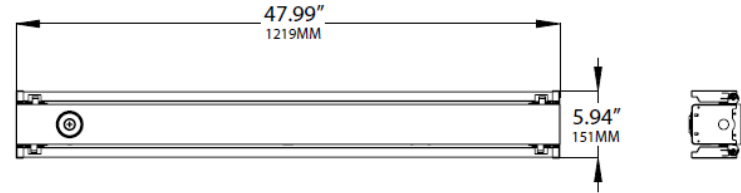
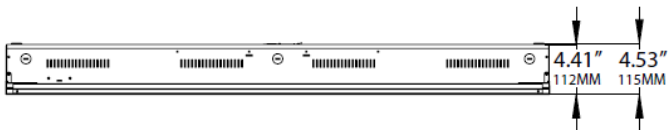
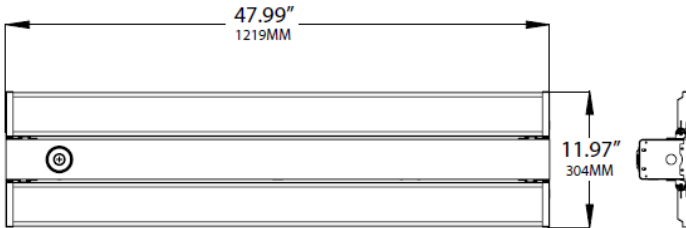


LOC-2FTFLHB-MW(145/160/175)MCCT(35/40/50)D



LOC-4FTFLHB-MW(180/200/220)50KD / LOC-4FTFLHB-MW(290/320/350)50KD / LOC-4FTFLHB-MW(360/400/440)50KD

LOC-4FTFLHB-MW(180/200/220)MCCT(35/40/50)D / LOC-4FTFLHB-MW(290/320/350)MCCT(35/40/50)D / LOC-4FTFLHB-MW(360/400/440)MCCT(35/40/50)D



MODEL	QTY	NET WEIGHT	MASTER CARTON SIZE	GROSS WEIGHT	PCS CTN	UPC CODE
LOC-2FTFLHB-MW(70/90/110)50KD	1	7.56lbs	27.17" x 13.19" x 8.74"	34.99lbs	4	00810050942966
LOC-2FTFLHB-MW(145/160/175)50KD	1	10.27lbs	27.36" x 13.98" x 10.91"	48.92lbs	4	00810050942973
LOC-4FTFLHB-MW(180/200/220)50KD	1	16.07lbs	51.77" x 7.95" x 5.59"	18.21lbs	1	00810050942980
LOC-4FTFLHB-MW(290/320/350)50KD	1	19.09lbs	51.77" x 7.95" x 5.59"	21.21lbs	1	00810050942997
LOC-4FTFLHB-MW(360/400/440)50KD	1	19.09lbs	51.77" x 7.95" x 5.59"	21.21lbs	1	00810050943000
LOC-2FTFLHB-MW(70/90/110)MCCT(35/40/50)D	1	7.56lbs	27.17" x 13.19" x 8.74"	34.99lbs	4	00810050946292
LOC-2FTFLHB-MW(145/160/175)MCCT(35/40/50)D	1	10.27lbs	27.36" x 13.98" x 10.91"	48.92lbs	4	00810050946216
LOC-4FTFLHB-MW(180/200/220)MCCT(35/40/50)D	1	16.07lbs	51.77" x 7.95" x 5.59"	18.21lbs	1	00810050946339
LOC-4FTFLHB-MW(290/320/350)MCCT(35/40/50)D	1	19.09lbs	51.77" x 7.95" x 5.59"	21.21lbs	1	00810050946346
LOC-4FTFLHB-MW(360/400/440)MCCT(35/40/50)D	1	19.09lbs	51.77" x 7.95" x 5.59"	21.21lbs	1	00810050946353