

LED 4 MULTI WATTAGE MULTI CCT 4 FOOT WRAP AROUND LIGHT



22W / 28W / 34W / 44W

CONSTRUCTION:

22-gauge metal housing with matte white finish. PMMA cover lens.

OPTICAL SYSTEM:

Samsung 2835 LED chips. Frosted lens. 110° beam angle.

WARRANTY:

5-year limited warranty. Actual performance may differ as a result of end-user environment and application.

ELECTRICAL:

Available as 120-277V input. -20°C to 50°C, -4°F to 122°F

INSTALLATION & MOUNTING:

Suspension or surface mounting options.

Metal joiner bracket:

- 4 foot can link up to 10 pieces

CONTROLS & DIMMING:

0-10V dimming comes standard.

FEATURES

- **Default Wattage:** 44W
- **Default CCT:** 5,000K
- IP20 rated
- ABS endcaps design for easy install/removal of lens
- 50,000 hours lifetime

SUITABLE APPLICATIONS

- Parking Lots
- Supermarkets
- Corridors
- Retail Spaces
- Warehouses

DLC Product ID:

- LOC-4FTWA-MW(22/28/34/44)MCCT(35/40/50)D - S-H0XA91



OPTIONAL ACCESSORIES:



Emergency Battery
LOC-EMDR-15W-050



Suspension Kit
(NOT included)



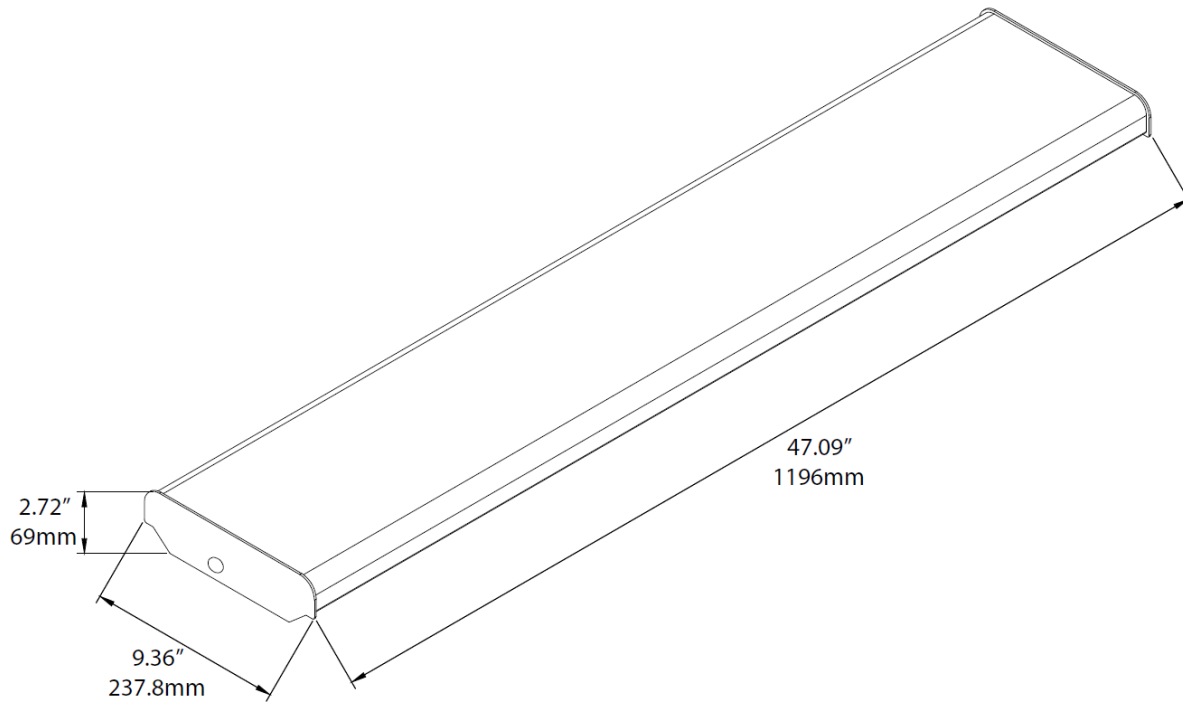
Metal Joiner Bracket
(NOT included)



LOC-4FTWA-MW(22/28/34/44)MCCT(35/40/50)D

WATTAGE SELECTABLE	CCT SELECTABLE	LUMENS	EFFICACY	VOLTAGE	CRI	POWER FACTOR	THD	REPLACES
22W	3500K / 4000K / 5000K	3,031.6LM	137.8lm/W	120-277V	80	0.9	20%	
28W	3500K / 4000K / 5000K	3,858.4LM	137.8lm/W	120-277V	80	0.9	20%	
34W	3500K / 4000K / 5000K	4,685.2LM	137.8lm/W	120-277V	80	0.9	20%	
44W	3500K / 4000K / 5000K	6,063.2LM	137.8lm/W	120-277V	80	0.9	20%	

MEASUREMENTS



MODEL	QUANTITY	WEIGHT	UPC CODE
LOC-4FTWA-MW(22/28/34/44)MCCT(35/40/50)D	1	lbs	00815586028047