

LED 5/6" 12W Multi CCT Down Light

CONSTRUCTION:

Downlight body and endcaps are both fabricated from aluminum for maximum rigidity. Spring clips for easy installation.

OPTICAL SYSTEM:

Frosted lens. 120° beam angle

WARRANTY:

5-year limited warranty. Actual performance may differ as a result of end-user environment and application.

ELECTRICAL:

Uses a -20°C to 40°C case temperature drive. Available as 120V input.

INSTALLATION & MOUNTING:

Use torsion spring clips to install in place.

DIMMING:

Triac Dimming.

Energy Star ID:

- LOC-56DL-12WMCCT(27/30/35/40/50) - 2370228

FEATURES

- Default CCT: 5,000K
 - 2,700K / 3,000K / 3,500K / 4,000K / 5,000K
- Commercial grade
- IP rating of 20
- 50,000 hours lifetime

SUITABLE APPLICATIONS

- Kitchens
- Bedrooms
- Bathrooms
- Corridors
- Hallways
- Museums



CCT SELECTABLE



OPTIONAL ACCESSORY:



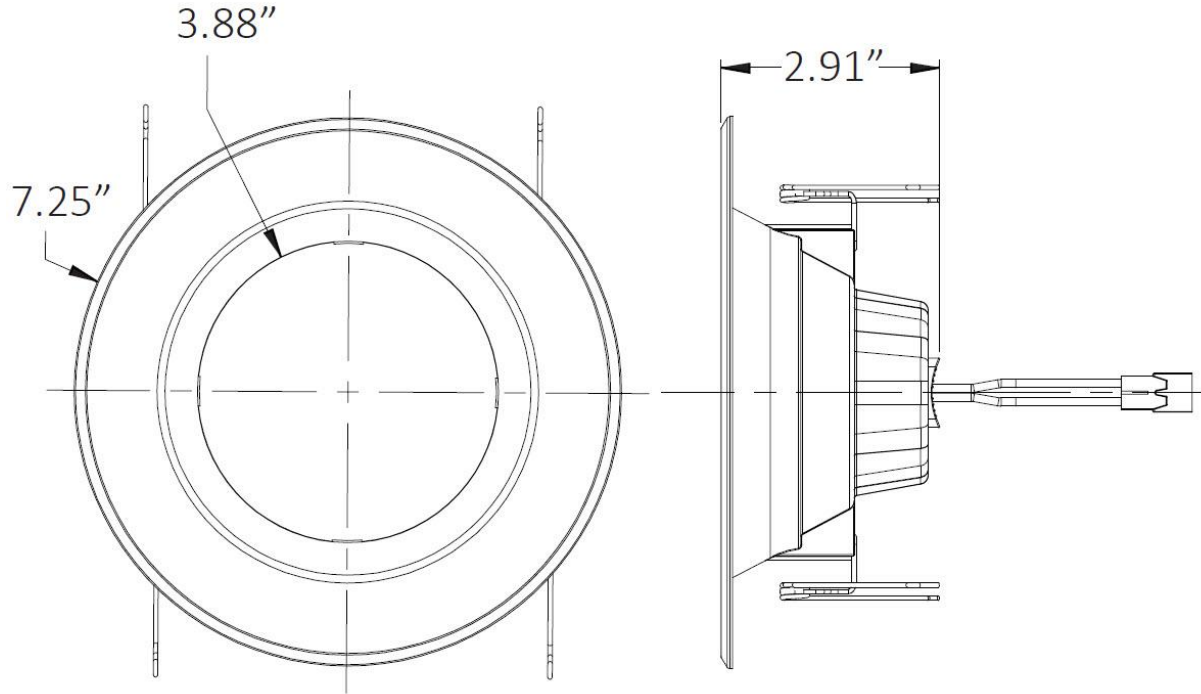
Emergency Battery
LOC-EMDR-25WHV



LOC-56DL-12WMCCT(27/30/35/40/50)

| WATTAGE | CCT SELECTABLE | LUMENS | EFFICACY | VOLTAGE | CRI | POWER FACTOR | REPLACES |
|---------|------------------------------------|--------|----------|----------|-----|--------------|----------|
| 12W | 2700K / 3000K 3500K / 4000K /5000K | 950LM | 79.2lm/W | 120-277V | 92 | 1.0 | 40W |

MEASUREMENTS



| MODEL | QUANTITY | WEIGHT | UPC CODE |
|----------------------------------|----------|----------|----------------|
| LOC-56DL-12WMCCT(27/30/35/40/50) | 1 | 0.61 lbs | 00810050940450 |