

LED Multi Watt Multi CCT Down Light



4"

5.5W, 8W and 12W



6" HO

25W, 32W and 42W



8"

8" HO

10W, 15W and 22W 32W, 42W and 52W



9.5"

20W, 25W and 32W



OPTIONAL ACCESSORY:



Emergency Battery
LOC-EMDR-25WHV

CONSTRUCTION:

Downlight body and endcaps are both fabricated from aluminum for maximum rigidity. Lightweight aluminum heat sink designed to perform naturally convective cooling.

OPTICAL SYSTEM:

Lumiled LED chips. General, medium, aisle distributions available to meet both horizontal and vertical light level requirements. 90° beam angle

WARRANTY:

5-year limited warranty. Actual performance may differ as a result of end-user environment and application.

ELECTRICAL:

Uses a -20°C to 40°C (-4°F to 104°F) case temperature drive. 0.90 power factor. Available as 120-277V input.

INSTALLATION & MOUNTING:

Use torsion spring clips to install in place.

DIMMING:

Dimmable range from 0-10V.

FEATURES

- Default Wattage:
 - 4" 12W
 - 6" 42W
 - 8" 22W / 52W
 - 9.5" 32W
- Default CCT: 5,000K
- IP44 rated
- Commercial grade
- Wattage selectable
- CCT selectable
- 50,000 hours lifetime

SUITABLE APPLICATIONS

- Kitchens
- Bedrooms
- Bathrooms
- Corridors
- Hallways
- Museums

Energy Star ID:

- LOC-4DL-MW(5.5/8/12)MCCT(30/40/50)D - 2401832
- LOC-8DL-MW(10/15/22)MCCT(30/40/50)D - 2402002
- LOC-9.5DL-MW(20/25/32)MCCT(30/40/50)D - 2402003
- LOC-6DL-MW(25/32/42)MCCT(30/40/50)D-HO - 2404927
- LOC-8DL-MW(32/42/52)MCCT(30/40/50)D-HO - 2404928



LOC-4DL-MW(5.5/8/12)MCCT(30/40/50)D

WATTAGE	CCT SELECTABLE	LUMENS	EFFICACY	VOLTAGE	CRI	POWER FACTOR	REPLACES
5.5W	3000K / 4000K / 5000K	458.15LM	83.3lm/W	120-277V	93	0.98	75W
8W	3000K / 4000K / 5000K	666.6LM	83.3lm/W	120-277V	93	0.98	75W
12W	3000K / 4000K / 5000K	1,000LM	83.3lm/W	120-277V	93	0.98	75W

LOC-8DL-MW(10/15/22)MCCT(30/40/50)D

WATTAGE	CCT SELECTABLE	LUMENS	EFFICACY	VOLTAGE	CRI	POWER FACTOR	REPLACES
10W	3000K / 4000K / 5000K	909LM	90.9lm/W	120-277V	94	0.97	150W
15W	3000K / 4000K / 5000K	1,363.5LM	90.9lm/W	120-277V	94	0.97	150W
22W	3000K / 4000K / 5000K	2,000LM	90.9lm/W	120-277V	94	0.97	150W

LOC-9.5DL-MW(20/25/32)MCCT(30/40/50)D

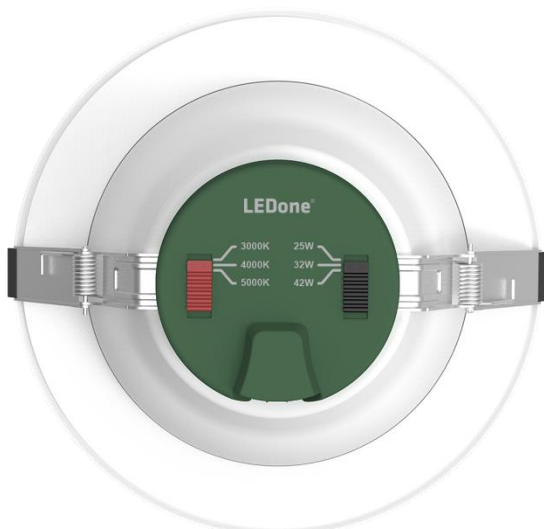
WATTAGE	CCT SELECTABLE	LUMENS	EFFICACY	VOLTAGE	CRI	POWER FACTOR	REPLACES
20W	3000K / 4000K / 5000K	1,876LM	93.8lm/W	120-277V	94	0.99	200W
25W	3000K / 4000K / 5000K	2,345LM	93.8lm/W	120-277V	94	0.99	200W
32W	3000K / 4000K / 5000K	3,001.6LM	93.8lm/W	120-277V	94	0.99	200W

LOC-6DL-MW(25/32/42)MCCT(30/40/50)D-HO (High Output)

WATTAGE	CCT SELECTABLE	LUMENS	EFFICACY	VOLTAGE	CRI	POWER FACTOR	REPLACES
25W	3000K / 4000K / 5000K	2,477.5LM	99.1lm/W	120-277V	91	1.0	250W
32W	3000K / 4000K / 5000K	3,171.2LM	99.1lm/W	120-277V	91	1.0	250W
42W	3000K / 4000K / 5000K	4,162.2LM	99.1lm/W	120-277V	91	1.0	250W

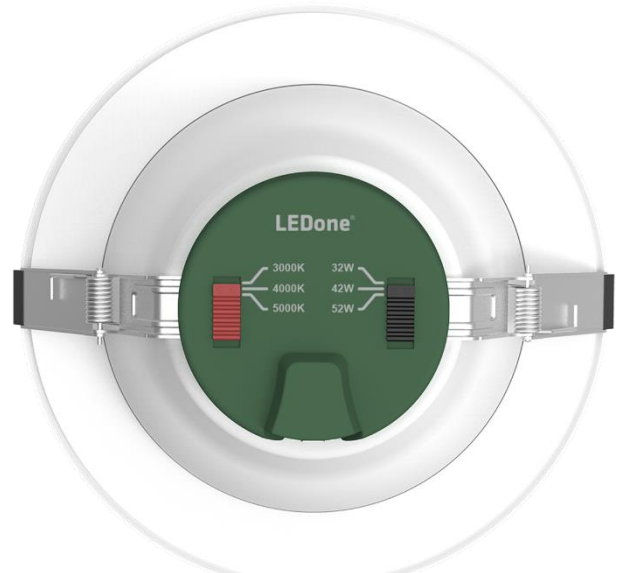
LOC-8DL-MW(32/42/52)MCCT(30/40/50)D-HO (High Output)

WATTAGE	CCT SELECTABLE	LUMENS	EFFICACY	VOLTAGE	CRI	POWER FACTOR	REPLACES
32W	3000K / 4000K / 5000K	3,078.4LM	96.2lm/W	120-277V	92	1.0	300W
42W	3000K / 4000K / 5000K	4,040.4LM	96.2lm/W	120-277V	92	1.0	300W
52W	3000K / 4000K / 5000K	5,000LM	96.2lm/W	120-277V	92	1.0	300W



6" HO

25W, 32W and 42W

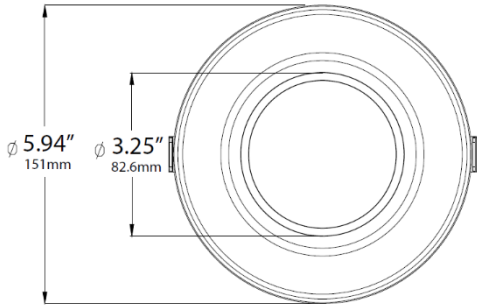
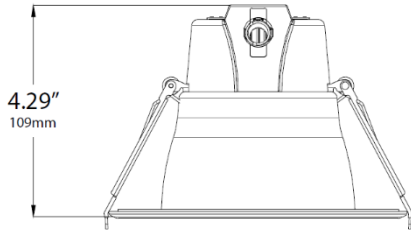


8" HO

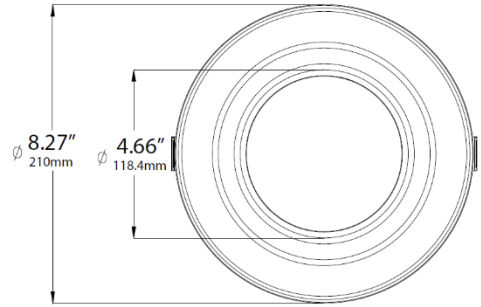
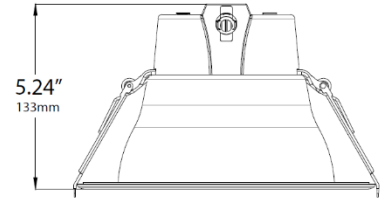
32W, 42W and 52W

MEASUREMENTS

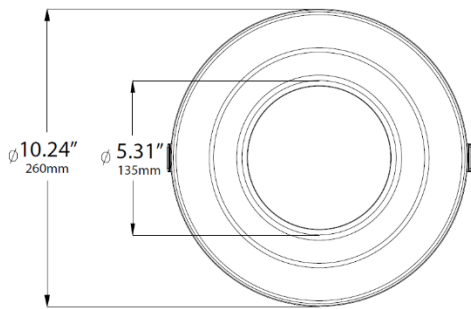
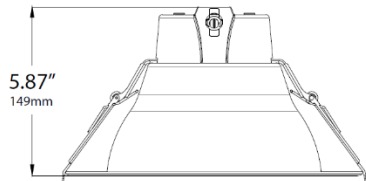
4"



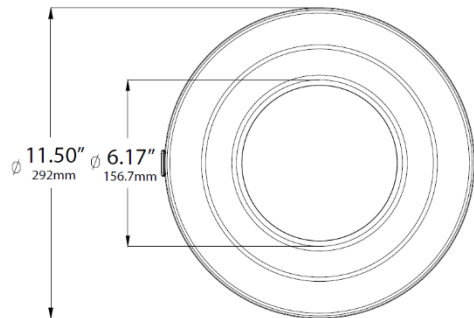
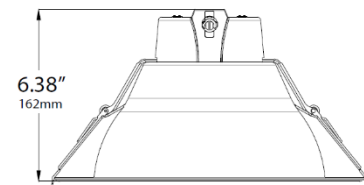
6"



8"



9.5"



MODEL	QUANTITY	WEIGHT	UPC CODE
LOC-4DL-MW(5.5/8/12)MCCT(30/40/50)D	1	0.90 lbs	00810050942850
LOC-8DL-MW(10/15/22)MCCT(30/40/50)D	1	1.51 lbs	00810050942423
LOC-9.5DL-MW(20/25/32)MCCT(30/40/50)D	1	1.75 lbs	00810050942430
LOC-6DL-MW(25/32/42)MCCT(30/40/50)D-HO	1	1.30 lbs	00810050942669
LOC-8DL-MW(32/42/52)MCCT(30/40/50)D-HO	1	1.51 lbs	00810050942676