

LEDone®

LOC-4FTT8B-9.5W Type B Installation Guide Ballast Bypass

ENVIRONMENTAL CONDITIONS:

The T8 LED tube cannot be installed in rain, wet areas, dusty areas, flammable areas or combustible environments. Please confirm the light fixture meets the level of protection requirements if necessary.

INSTALLATION REQUIREMENTS:

The installation must be installed by a qualified electrician. Switch off the power supply before installing. **NOT FOR EMERGENCY LIGHTING!** The tube is **Type B**, please take the ballast and starter out of the light before installing. The operating temperature is $-20^{\circ}\text{C} + 45^{\circ}\text{C}$ ($-4^{\circ}\text{F} + 113^{\circ}\text{F}$).

WARNINGS:

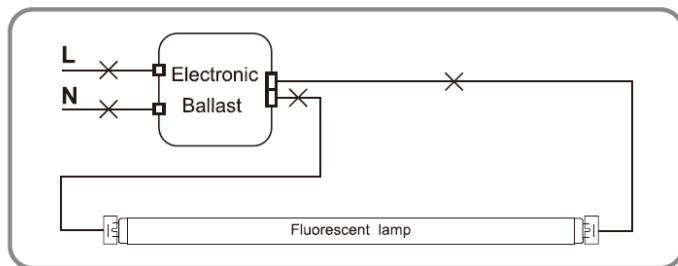
- **WARNING:** To avoid potential fire or shock hazard, do not use this retrofit kit in luminaires employing shunted bi-pin lamp holders. Note: Shunted lamp holders are found only in fluorescent luminaires with Instant-Start ballasts. Instant-Start ballasts can be identified by the words "Instant Start" or "I.S." marked on the ballast. This designation may be in the form of a statement pertaining to the ballast itself or may be combined with the marking for the lamps with which the ballast is intended to be used.
- **WARNING:** Check if the product is in good condition before installation.
- **WARNING:** The LED tube should **not** be knocked down or replaced with a driver randomly.
- **WARNING:** Product should **not** be placed in wet areas, high temperatures, flammable or combustible environments. They should be in a cool, dry environment.
- **Risk of fire or electric shock WARNING:** The electrical rating of this products is 120-277Vac. The installer must determine whether they have 120-277V at the luminaire before installation.
- **Risk of fire or electric shock WARNING:** Installation requires knowledge of luminaires' electrical systems. If you are not a qualified electrician, do **not** attempt installation. Contact a qualified electrician.
- **Risk of fire or electric shock WARNING:** Install this product only in the luminaires that have the construction features and dimensions shown in the photographs/drawings.
- **WARNING:** Do **NOT** make or alter any open holes in the enclosure of wiring or electrical components during installation.
- Suitable for enclosed fixture.
- **WARNING:** To prevent wiring damage or abrasion, do **NOT** expose wiring to edges of sheet metal or other sharp objects.

SINGLE ENDED WIRING:

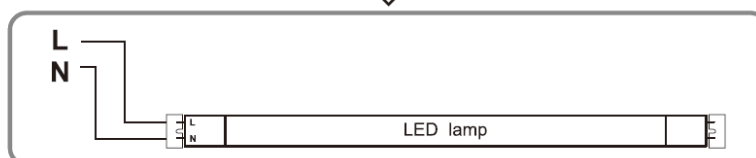
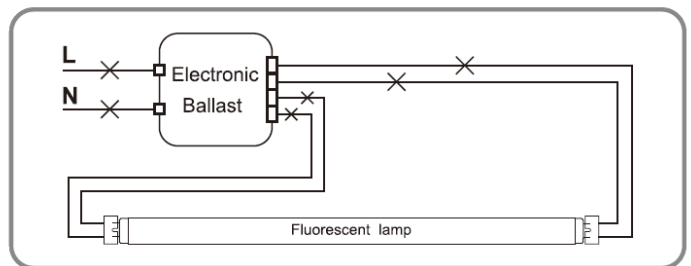
The below ballast wiring represents typical configuration. The actual ballast wiring varies according to ballast model. The socket should be non-shunted.

Retrofit luminaire with 1 lamp

Instant Start

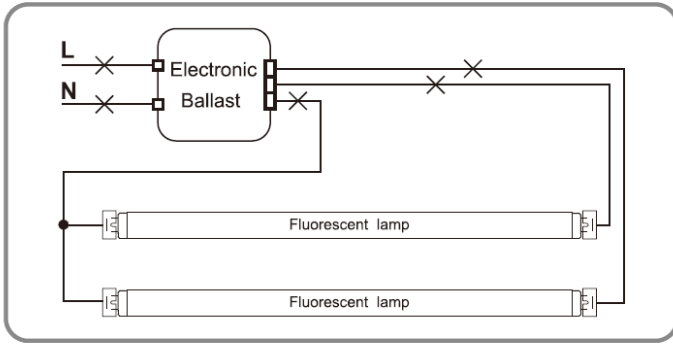


Program Start or Rapid Start

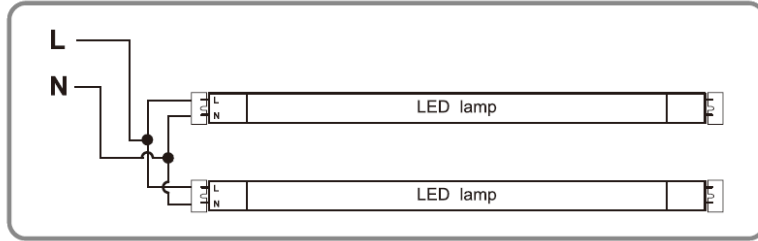
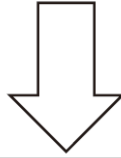
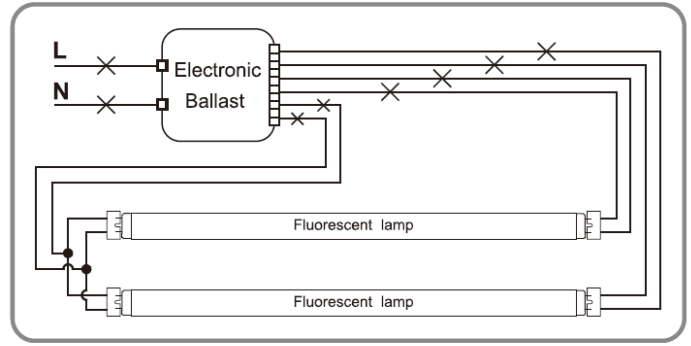


Retrofit luminaire with 2 lamps

Instant start

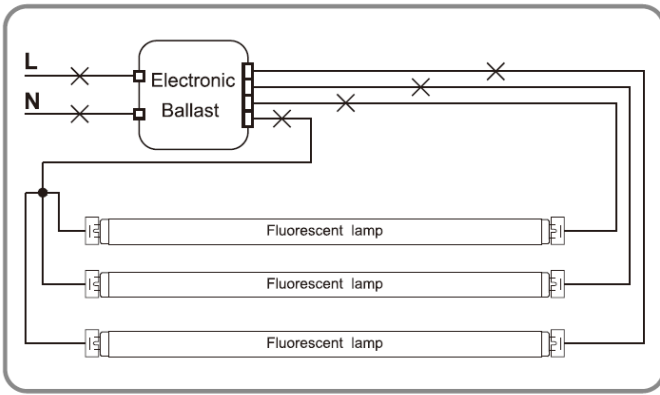


Program Start or Rapid Start

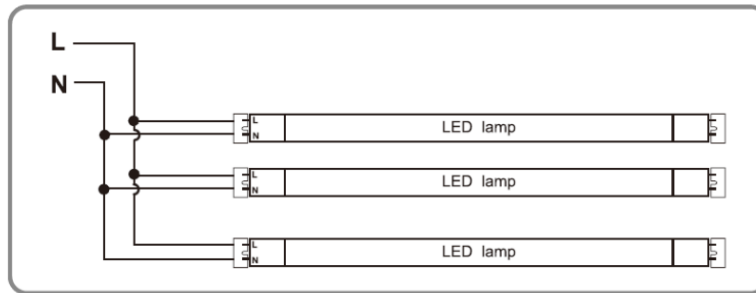
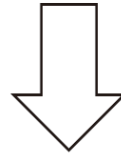
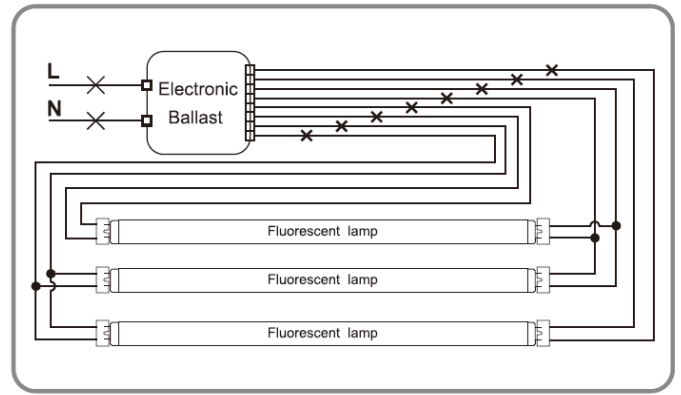


Retrofit luminaire with 3 lamps

Instant start

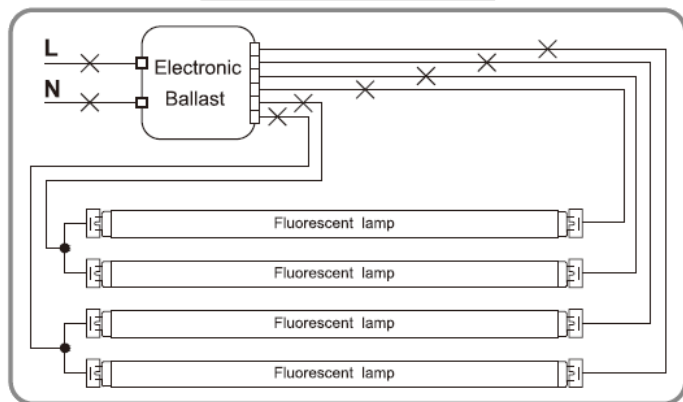


Program Start or Rapid Start

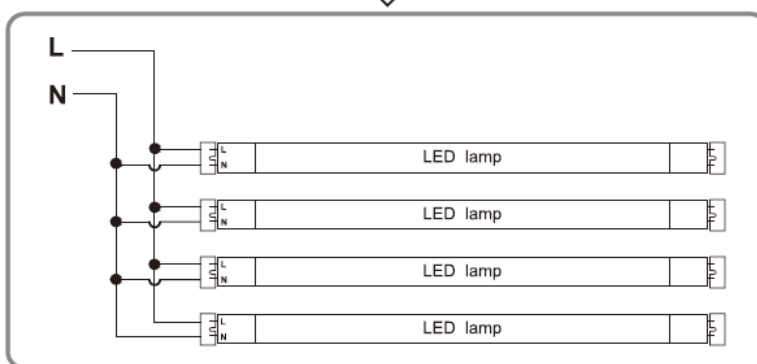
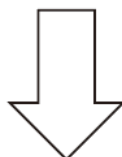
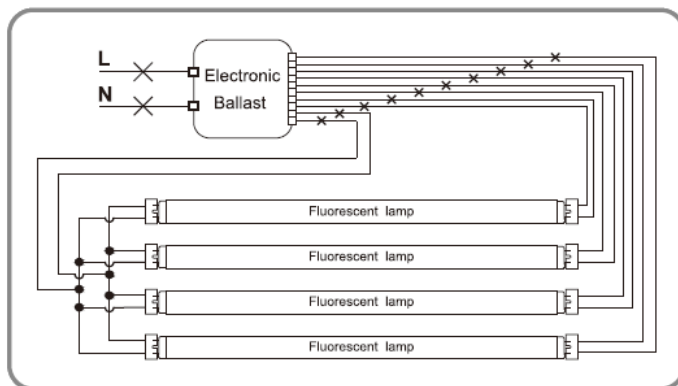


Retrofit luminaire with 4 lamps

Instant start



Program Start or Rapid Start

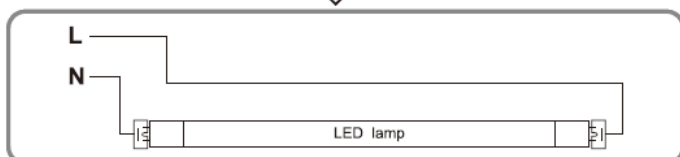
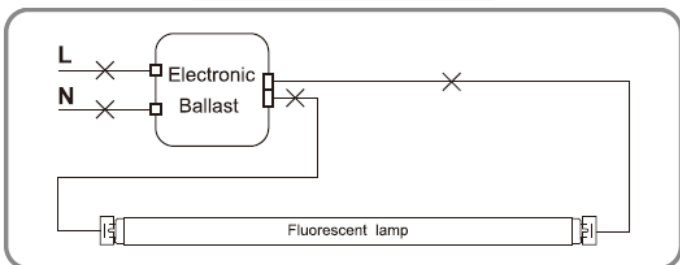


DOUBLE ENDED WIRING:

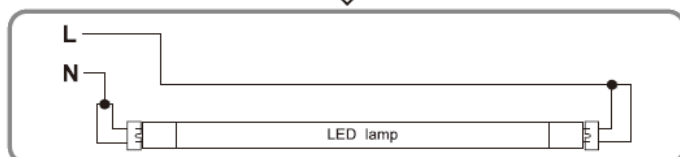
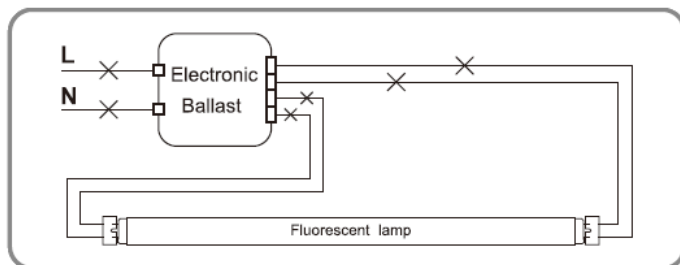
The below ballast wiring represents typical configuration. The actual ballast wiring varies according to ballast model. It is not needed to change socket (if in good condition) to operate double ended lamps, regardless the type of sockets. Please make sure one side of the fixture is connected to Live (L) and the other side is connected to Neutral (N).

Retrofit luminaire with 1 lamp

Instant Start

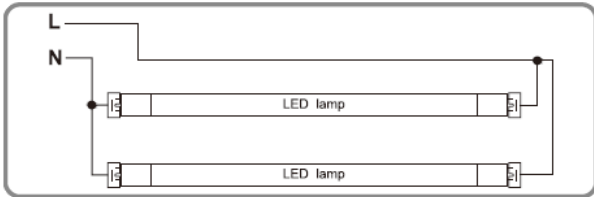
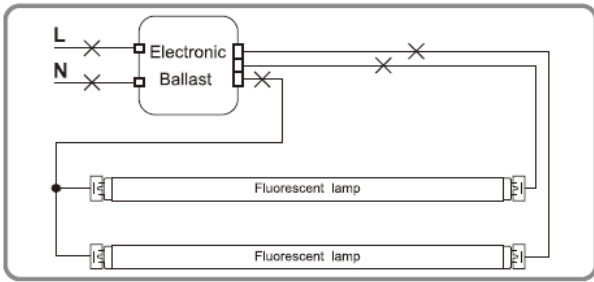


Program Start or Rapid Start

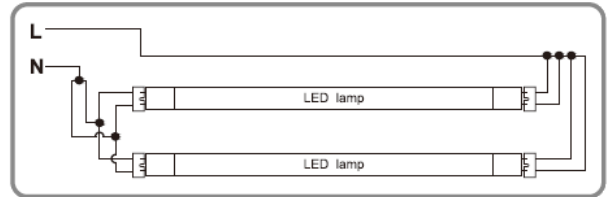
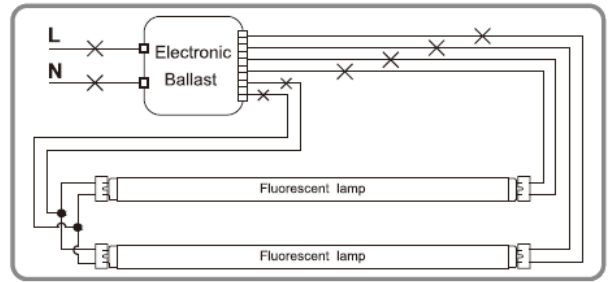


Retrofit luminaire with 2 lamps

Instant Start

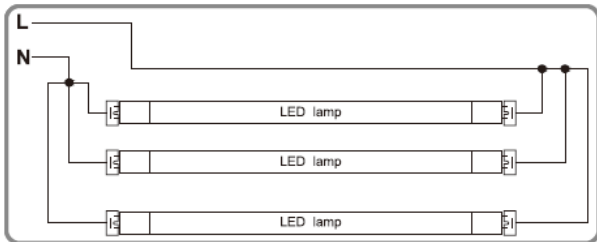
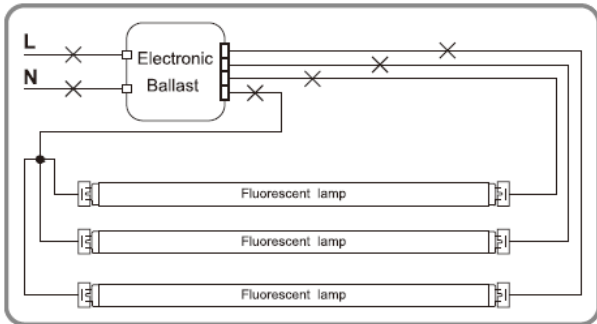


Program Start or Rapid Start

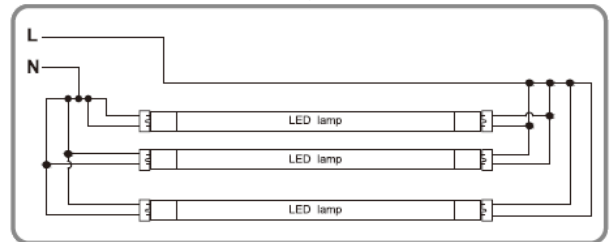
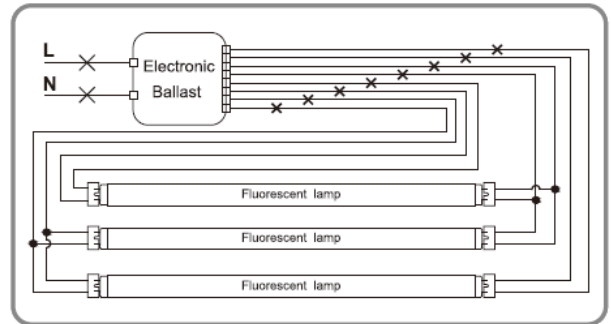


Retrofit luminaire with 3 lamps

Instant Start

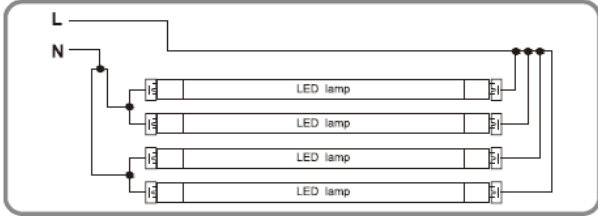
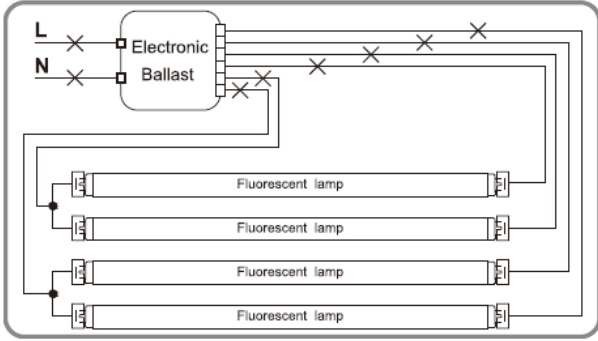


Program Start or Rapid Start



Retrofit luminaire with 4 lamps

Instant Start



Program Start or Rapid Start

