

# LEDone®

## LOC-4FTWA-MW(30/40/50/60)MCCT(35/40/50) Series Installation

### SAFETY before attempting to install fixture.

- This fixture must be installed in accordance with the applicable installation codes by a person familiar with the construction and operation of the product and the hazards involved. This fixture must be wired in accordance with the National Electric Code and all applicable local codes.
- All wiring and installation should be performed by a qualified electrician. Disconnect power before installing or servicing.

### CAUTION: Risk of fire

- **WARNING:** Make certain power is OFF before installing or maintaining fixture. No user serviceable parts inside.
- **WARNING:** Do NOT handle energized fixture when hands are wet, when standing on wet or damp surfaces or in water.
- **WARNING:** Use caution when handling this product during or after operation as it may become hot and cause burns. Disconnect the fixture and allow cooling prior to servicing.
- **WARNING:** Any alteration or modification of this product is expressly forbidden as it may cause serious personal injury, death, property damage and/or fixture malfunction.
- **WARNING:** To prevent fixture malfunction and/or electrical shock, this fixture must be properly grounded using the green ground screw.
- **WARNING:** All wiring connections should be capped with UL approved wire connectors.
- **WARNING:** This fixture is designed to operate in ambient temperatures ranging from -40°F to 122°F (-40°C to 50°C).
- **WARNING:** The ambient temperature for the backup battery is 32°F to 122°F (0°C to 50°C).
- **WARNING:** Minimum 90°C supply conductors.
- **WARNING:** This fixture is designed for permanent installation in ordinary (non-hazardous) locations in accordance with the NEC and all applicable local codes. Do NOT use in areas of limited ventilation or in high ambient enclosures.
- **WARNING:** Do NOT expose wiring to edges of sharp objects.

### CLEANING & MAINTENANCE:

**CAUTION:** Be sure the fixture temperature is cool enough to touch. Do NOT clean or maintain while the fixture is energized.

1. Clean polycarbonate lens with non-abrasive cleaning solution.
2. Do NOT open fixture to clean the LED. Do NOT touch the LED.

Note: These instructions do not cover all details or variation in equipment, nor do they provide for every possible situation during installation, operation or maintenance.

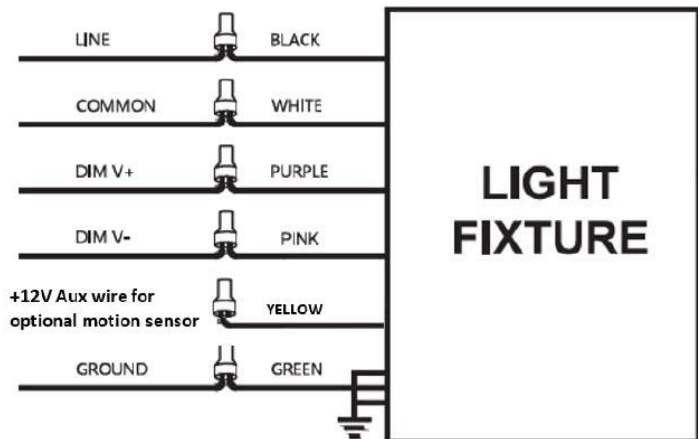
### TROUBLESHOOTING:

1. Check that the line voltage at fixture is correct. Refer to wiring directions.
2. Check that the fixture is grounded properly.

### 0-10V DIMMABLE WIRING:

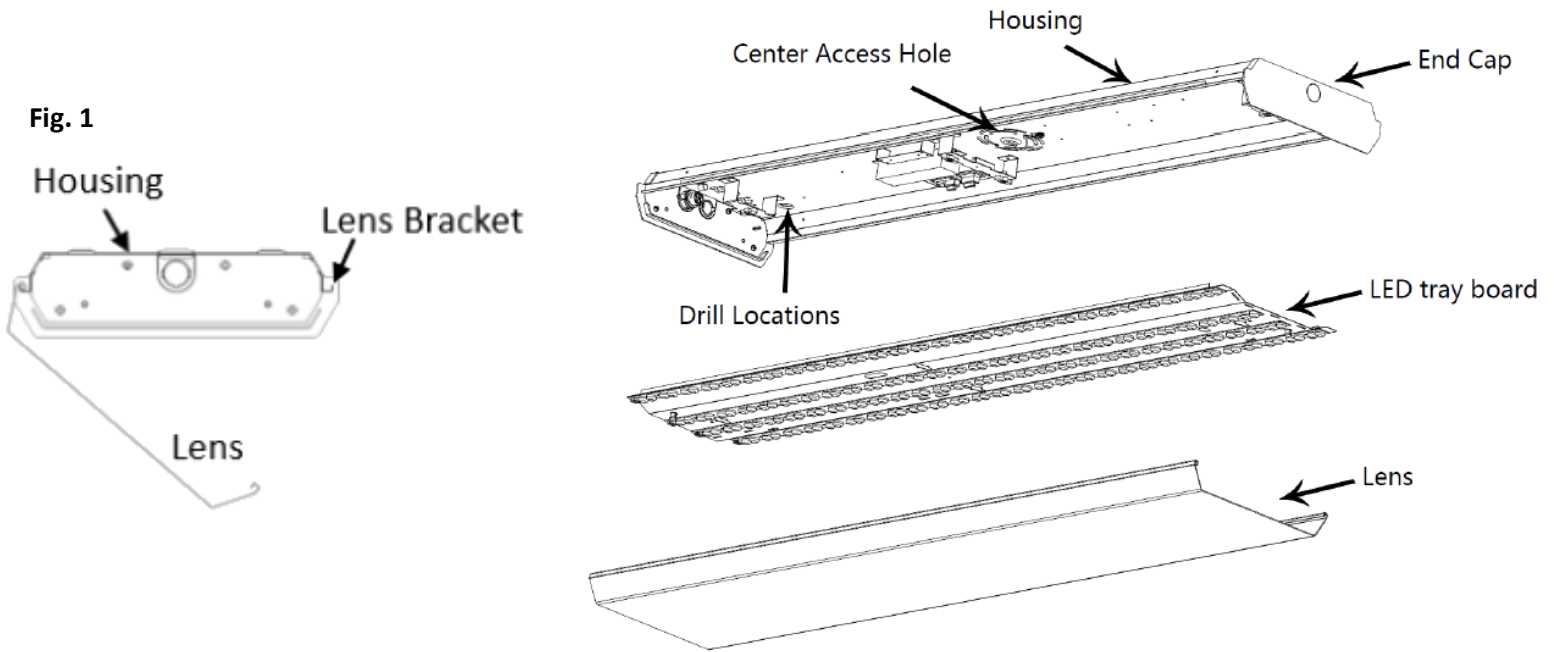
Universal voltage driver permits operation at 100V through 277V, 50/60Hz.

1. Connect the BLACK fixture lead to the LINE supply lead.
2. Connect the WHITE fixture lead to the COMMON supply lead
3. Connect the GROUND wire from fixture to the supply ground.  
Do NOT connect the GROUND of the dimming fixture to the output.
4. Connect the VIOLET fixture lead to the (V+) DIM lead.
5. Connect the GRAY fixture lead to the (V-) DIM lead.
6. Cap the yellow fixture lead if present. Do NOT connect.

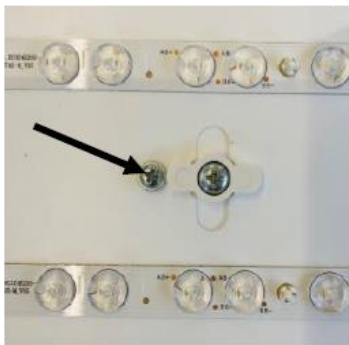


**PREPPING THE FIXTURE:**

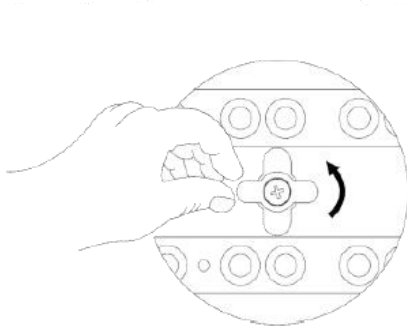
1. If the lens is installed on the fixture, carefully remove it from the housing by pushing one side of the lens towards the back of the fixture, slightly pulling it away from the housing to free it from the bracket holding it in place. Then lift the other side of the lens away from the housing to free the lens.
2. To remove the LED tray board from the housing start by removing the 2 shipping screws located next to the twist tabs in the center of the LED tray on each end of the board. The screws are only for shipping purposes and can be discarded after they are removed. Turn the tabs 90° to line up with the holes in the tray. Lift the LED tray away from the housing using the small white handles on each end of the board.
3. Note that the LED tray is tethered to the base with a cable at each end of the fixture. If desired, during installation and wiring, the LED tray can be removed from the housing by unplugging the quick-connect on the wires leading to the tray and unhooking the two cables tethering the tray to the housing. If the tray is removed, place it in safe place until the mounting and wiring are completed.



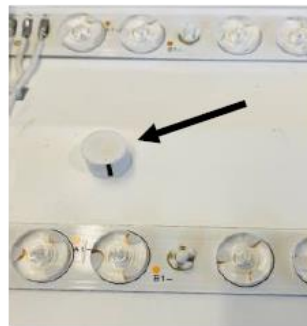
**Fig. 2**



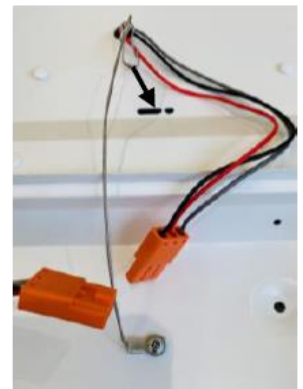
**Fig. 3**



**Fig. 4**



**Fig. 5**



## INSTALLATION OPTIONS:

**CAUTION:** Turn off electrical power at fuse or circuit breaker box before wiring fixture to the power supply.

### SURFACE MOUNT:

1. Temporarily place the fixture in the desired mounting location over the wiring junction box and mark the location of the 4 mounting holes. Remove the fixture and predrill the mounting holes.
2. Pull the supply wires from the junction box (not supplied) through the center access hole of the housing. Use the appropriate UL approved wire connectors as required by code to make electrical splices to fixture leads. If wiring through the end of the fixture, pop out the knockout cover in the center of the end cap by pushing it out from the inside.
3. For conduit mounting, drill out the end cap, connect conduit. (conduit not included)
4. Secure the housing to the junction box or mount the housing directly to sturdy the surface by using the drill locations. Use the appropriate mounting hardware (supplied by others) for surface mounting.
5. Once the connections are made, push all the wires behind the reflector.
6. Place the reflector back on. Be careful not to pinch the wires. Hook the lens to one side of the housing and snap the lens into place.

### SUSPENSION MOUNT (OPTIONAL ACCESSORY NOT INCLUDED)

1. Chain Mounting: Use the supplied V-hooks to suspend the fixture from the appropriate chains (chains not included) Pull the supply wires through the appropriate knockout. **Fig. 6**
2. Cable Mounting: Clip the optional cable mounts (not included) through the V-hook holes at each end of the fixture and secure the other end of the cables to an appropriate structure. Pull the supply wires through the appropriate knockout. **Fig. 7 and Fig. 8**

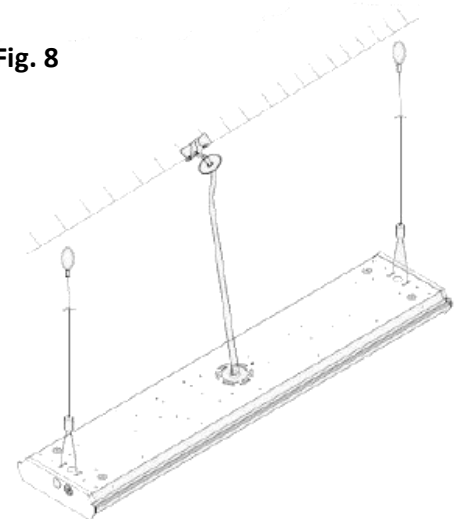
**Fig. 6**



**Fig. 7**



**Fig. 8**

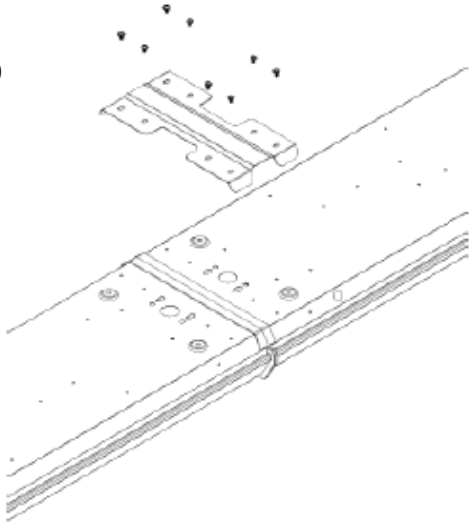


**LINKING TOGETHER – METAL JOINER BRACKET (OPTIONAL ACCESSORY NOT INCLUDED)**

**NOTE:** The row of fixtures must be supported with a chain or cable at each end of the row and at each joiner bracket.

1. Place 2 pieces of the wrap around light together having the endcaps meet. Pop out the knockouts on the ends of abutting fixtures and attach the joiner bracket (not included) to the top of the fixtures using the supplied screws.

**Fig. 9**



**Fig. 9**

2. Follow directions on mounting from above and feed any necessary wires through from one fixture to the other.

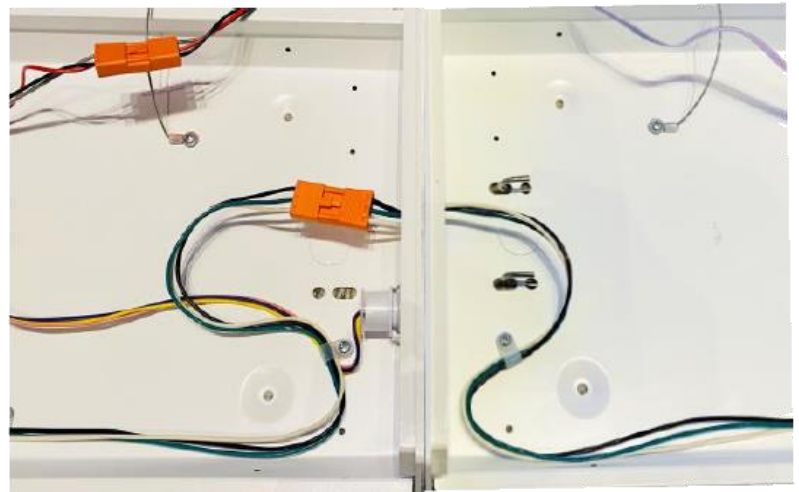
Fixture Length	Maximum Connected Fixtures		
	@120V	@277V	@347V
2 Foot	14	34	42
4 Foot	7	17	21

**Polarized Through Wiring Connections**

**DANGER:** Risk of electric shock or fire! The main power input wires on each luminaire will be LIVE when the polarized wiring connectors are used. The main power input wires at each fixture that is connected **must** be capped to insulate the power wires.

- The fixtures are supplied with polarized connectors for powering the next fixture in the row.
- Row mounted fixtures must be mounted so that the male and female connectors in adjoining fixtures face each other.
- Feed one of the connectors through the knockouts and push the connections together until they click. **Fig. 10**

**Fig. 10**



**WATTAGE ADJUSTABLE TABLE SWITCH SETTING:**

(Only for models with wattage adjustable functions.)



**LOC-4FTWA-MW(30/40/50/60)MCCT(35/40/50)D**

**Default Wattage: 60W**

**Default CCT: 5,000K**