

LED Fire Rated Multi CCT Down Light

CONSTRUCTION:

Aluminum and steel casing.

OPTICAL SYSTEM:

Frosted lens. 120° beam angle

WARRANTY:

5-year limited warranty. Actual performance may differ as a result of end-user environment and application.

ELECTRICAL:

Operating Temperature: -20°C to 45°C
(-4°F to 113°F)
Available as 120V input.

INSTALLATION & MOUNTING:

Use torsion spring clips to install in place.

DIMMING:

Triac Dimming.

FEATURES

- Default CCT: 5,000K
 - 2,700K / 3,000K / 3,500K / 4,000K / 5,000K
- Fixtures are code compliant for use in fire-rated construction for up to a maximum of 2 hours
- Instant on
- Wet location rated
- Type IC airtight
- No flicker

SUITABLE APPLICATIONS

- Kitchens
- Bedrooms
- Bathrooms
- Corridors
- Hallways
- Museums



LOC-4FRFD-9WMCCT(27/30/35/40/50)



LOC-6FRFD-12WMCCT(27/30/35/40/50)



Energy Star ID:

- LOC-4FRFD-9WMCCT(27/30/35/40/50) – 3627176
- LOC-6FRFD-12WMCCT(27/30/35/40/50) – 3627179



OPTIONAL ACCESSORY:



Emergency Battery
LOC-EMDR-25WHV

LOC-4FRFD-9WMCCT(27/30/35/40/50)

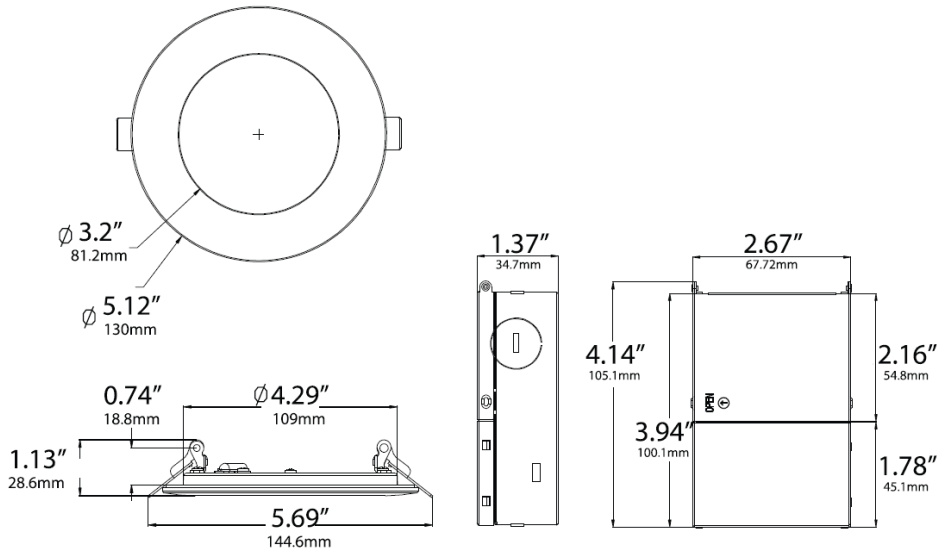
WATTAGE	CCT SELECTABLE	LUMENS	EFFICACY	VOLTAGE	CRI	POWER FACTOR	REPLACES
9W	2700K / 3000K 3500K / 4000K / 5000K	738LM	82lm/W	120V	92	0.98	40W

LOC-6FRFD-12WMCCT(27/30/35/40/50)

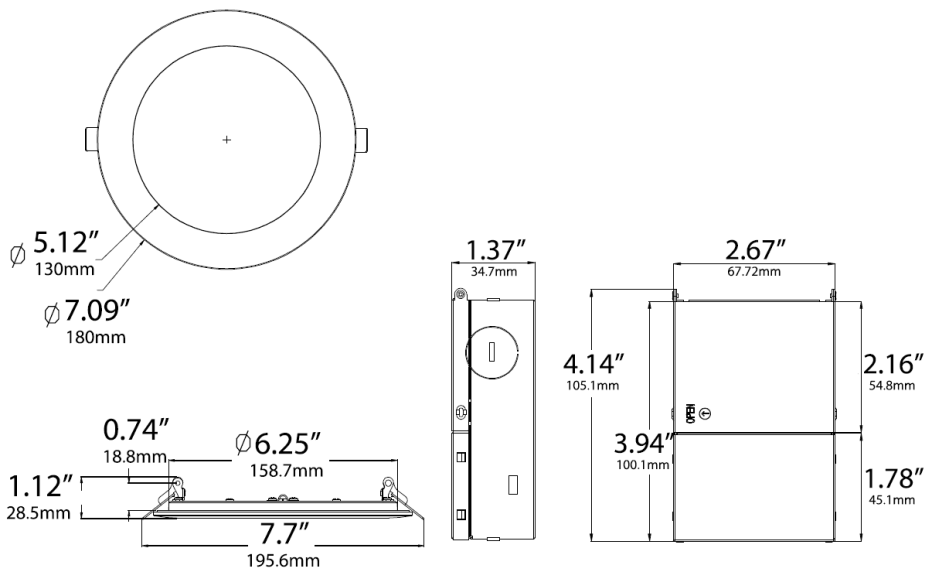
WATTAGE	CCT SELECTABLE	LUMENS	EFFICACY	VOLTAGE	CRI	POWER FACTOR	REPLACES
12W	2700K / 3000K 3500K / 4000K / 5000K	984LM	82lm/W	120V	93	0.98	40W

MEASUREMENTS

LOC-4FRFD-9WMCCT(27/30/35/40/50)



LOC-6FRFD-12WMCCT(27/30/35/40/50)



MODEL	QTY	NET WEIGHT	MASTER CARTON SIZE	GROSS WEIGHT	PCS CTN	UPC CODE
LOC-4FRFD-9WMCCT(27/30/35/40/50)	1	0.88lbs	17.32" x 10.71" x 12.2"	24.58lbs	24	00810050947435
LOC-6FRFD-12WMCCT(27/30/35/40/50)	1	1.1lbs	15.2" x 14.37" x 15.35"	33.29lbs	24	00810050947442