

LEDone®

LOC-GSCP-MW(75/100/150/180)50K Installation Guide

SAFETY INSTRUCTIONS: Read instructions carefully before attempting to install fixture.

- All wiring should be performed by a qualified electrician.
- Disconnect power before installing or servicing. This fixture must be wired in accordance with the National Electrical Code and applicable local codes and ordinances.
- Proper grounding is required to ensure personal safety.
- Do not change existing open holes or create any additional open holes in the fixture or its components.

CAUTION: Risk of fire

- **WARNING:** Make certain power is OFF before installing or maintaining fixture. No user serviceable parts inside.
- **WARNING:** To prevent wiring damage or abrasion, do not expose wiring to edges of sheet metal or other sharp objects.
- **WARNING:** Do not use the fixture near heating appliance/elements.
- **WARNING:** The input voltage and fixture should be matches after connecting the power line. Please make sure the wiring section is insulated.
- **WARNING:** The fixture must be operated within an ambient temperature range of -22°F to 113°F (-30°C to 45°C).
- **WARNING:** The fixture is not intended for use with emergency exits.

CLEANING & MAINTENANCE:

CAUTION: Be sure the fixture temperature is cool enough to touch. Do NOT clean or maintain while the fixture is energized.

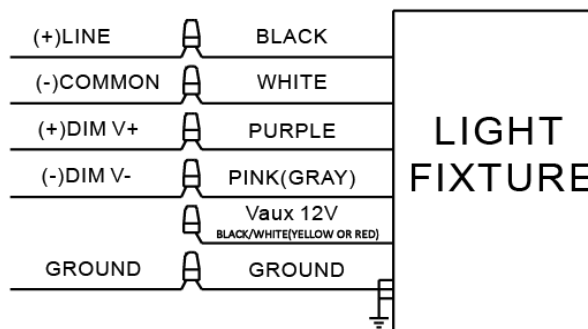
1. Clean lens with non-abrasive cleaning solution.
2. Do NOT open fixture to clean the LED. Do NOT touch the LED.

Note: These instructions do not cover all details or variation in equipment, nor do they provide for every possible situation during installation, operation or maintenance.

0-10V DIMMABLE WIRING:

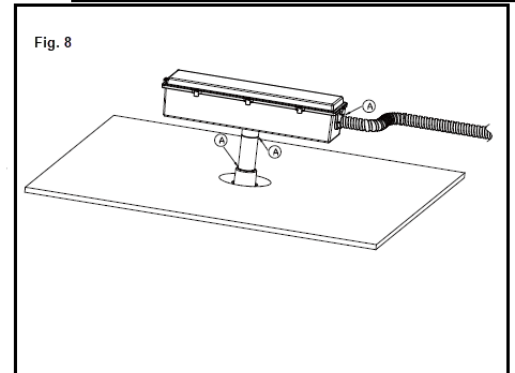
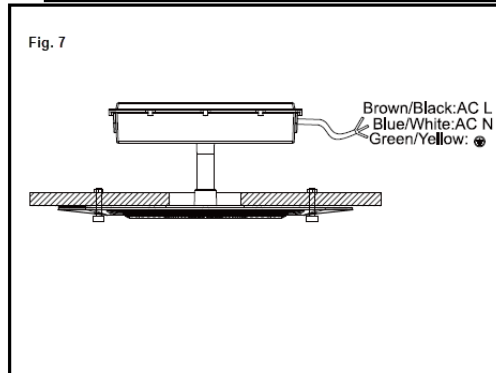
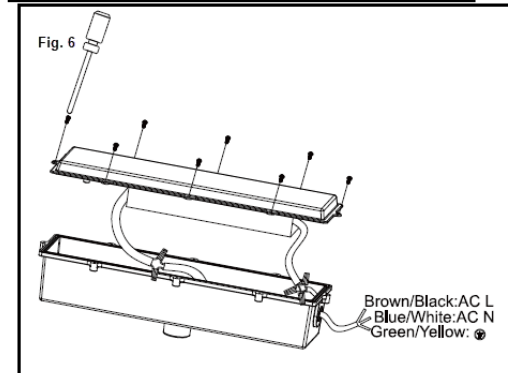
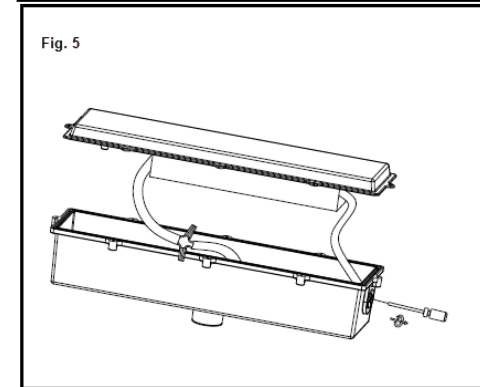
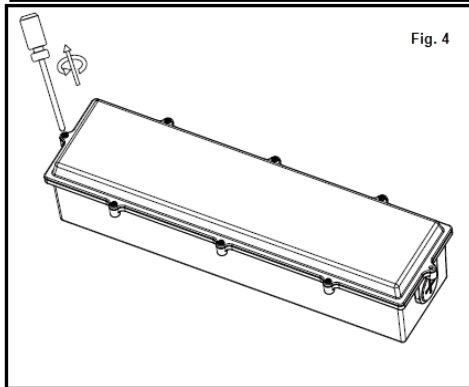
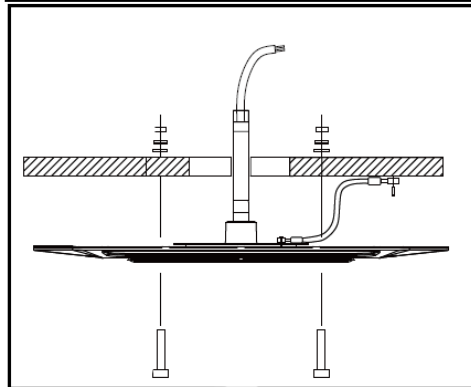
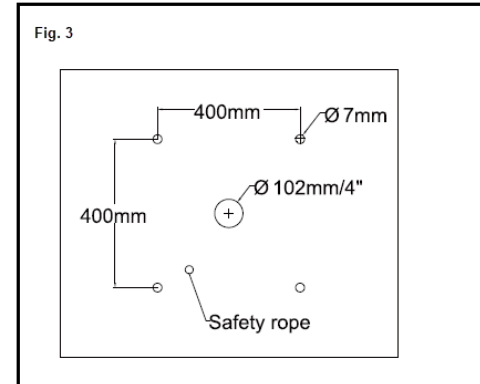
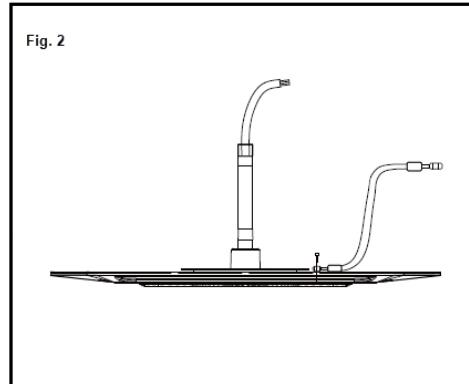
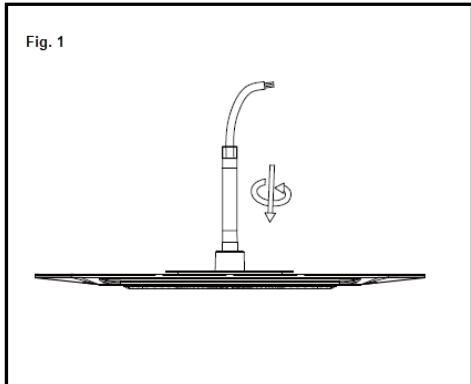
Universal voltage driver permits operation at 120V through 277V, 50/60Hz. For 0-10V dimming, follow the wiring instructions in the figure below.

1. Connect the BLACK fixture lead to the (+) LINE supply lead.
2. Connect the WHITE fixture lead to the (-) COMMON supply lead.
3. Connect the GROUND wire from fixture to supply ground. DO NOT connect the GROUND of the dimming fixture to the output.
4. Connect the PURPLE fixture lead to the (V+) DIM lead.
5. Connect the GRAY fixture lead to the (V-) DIM lead.
6. The driver comes with dimmable leads. If it is unused, make sure the leads are properly capped (if applicable).



INSTALLATION:

1. Turn the power off.
2. Screw the plastic round tube inside the round tube on the back of the radiator. (Fig. 1)
3. Secure the safety cord to the corresponding screw hole location on the back of the radiator. (Fig. 2)
4. Use the hole cutting electric rotary to cut the corresponding size of the holes on the ceiling. (Fig. 3)
5. Use a screwdriver to loosen the screws on the top cover of the power box. (Fig. 4)
6. Open the top cover of the power box, connect the two wires of the input of the light board with the terminals, and then use a screwdriver to loosen the side of the rubber plug. (Fig. 5)
7. Connect the three-core wires of the input side of the power supply to the three-core power cord with the terminals and tighten the screws on the top cover of the power supply box with a screwdriver. (Fig. 6)
8. Twist the assembled power supply box onto the plastic round tube to complete the assembly. (Fig. 7)
9. Adding glue to the pipe and screw hole. (Fig. 8)



Wattage Selectable:

- Use a screwdriver to loosen the screws on the power box and remove it.
- Open the top cover of the power box and adjust that different power by toggling the switch on the box to the desired wattage.

