

LEDone®

LOC-4FTAWA5-MW(30/40/50)MCCT(30/40/50) Stairwell Strip Light Installation Guide

WARNINGS:

- Check if the product is in good condition before installation.
- Consult a qualified electrician to ensure correct branch circuit conductor. This product must be installed by a licensed electrician strictly in accordance with local wiring rules.
- **Risk of Fire or Electric Shock:** Installation of this fixture requires a person familiar with the construction and operation of the refrigeration system's electrical system and the hazard involve. If not qualified, do not attempt installation. Contact a qualified electrician.
- **WARNING:** To prevent wiring damage or abrasion, do not expose wiring to edges of sheet metal or other sharp objects.
- **WARNING:** Suitable for non-insulated surface and frame. Do NOT cover fixture with insulation liner or similar material.
- **WARNING:** Do NOT install the fixture on unstable, lose or easily breakable surfaces.
- **WARNING:** Do NOT exert force on the surface of the fixture.
- Please keep the installation guide for future reference.

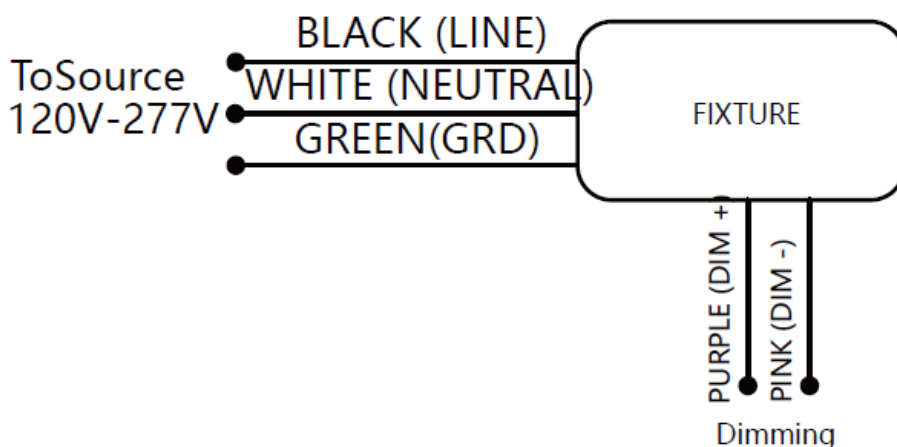
OPERATIONS MANUAL:

- This fixture is designed for indoor use.
- Do NOT touch the fixture body when the product is in use or within 10 minutes of removing power.
- Do NOT install the product near heat sources.
- After installation is completed and correct, the power can be switched on.
- If there is a malfunction, please turn off the power immediately and contact the supplier.
- The installation shall be carried out by a qualified electrician. The wiring must be prepared with supplementary insulation before the fixture can be connected. When the input wire is connected into the terminal or the power supply, the connection must be double insulation.

MULTI WATTAGE / MULTI COLOR TEMPERATURE:

- Select desired wattage and color temperature.

WIRING:



INSTALLATION: Surface Mount

1. Turn off the power before installation.
2. Drill a hole into the wall and put the wall anchors inside. (Fig. 1)
3. Press the PC diffuser hood to remove it. (Fig. 2)
4. Unscrew and remove the back plate. (Fig. 3)
5. Use a screwdriver to tighten the self-thread screws to fix the lamp body on the ceiling. (Fig. 4)
6. Connect the wires according to the wiring diagram. (Fig. 5)
7. Install the back plate back on and secure it with screws. (Fig. 6)
8. Install the PC diffuser cover. (Fig. 7)
9. Turn the power on.

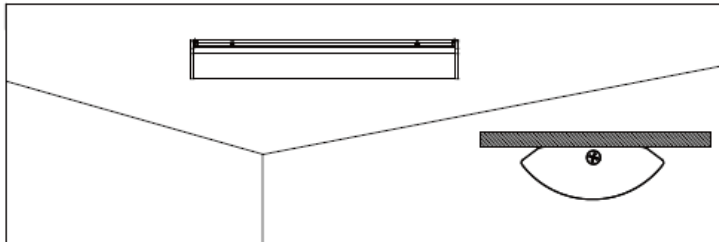


Fig. 1

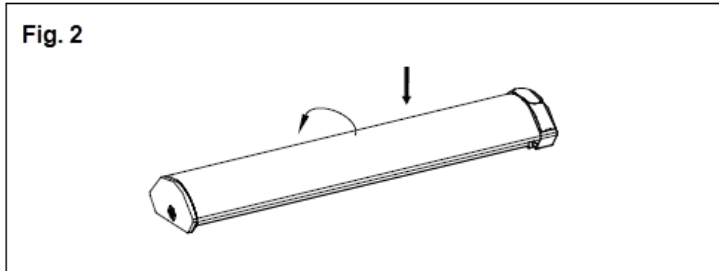
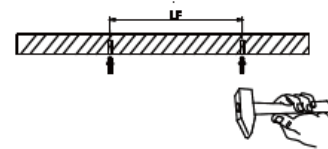


Fig. 2

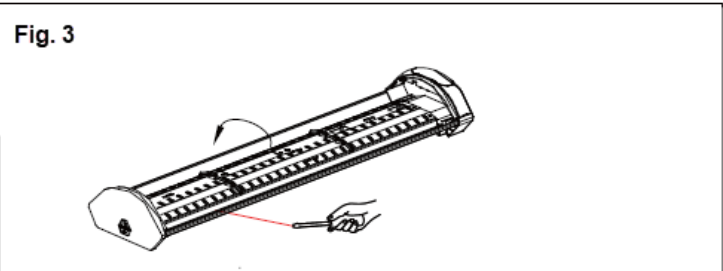


Fig. 3

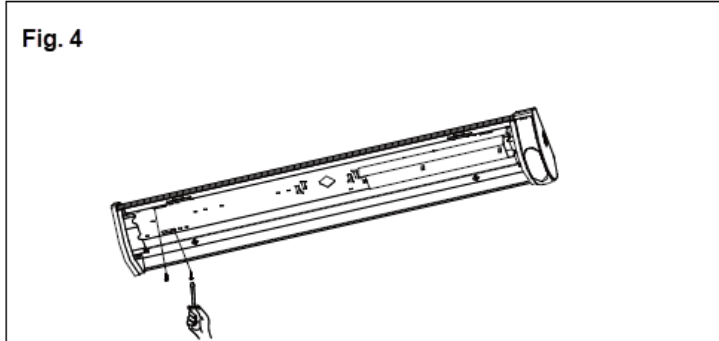


Fig. 4

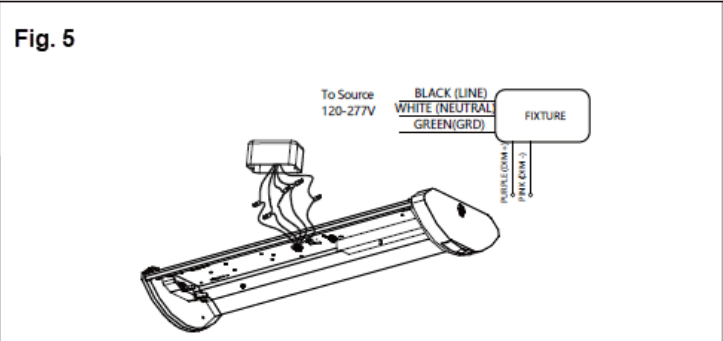


Fig. 5

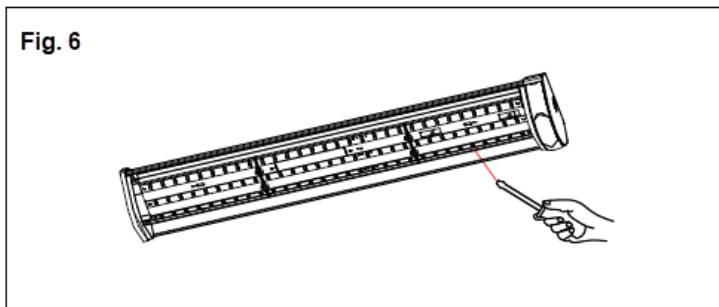


Fig. 6

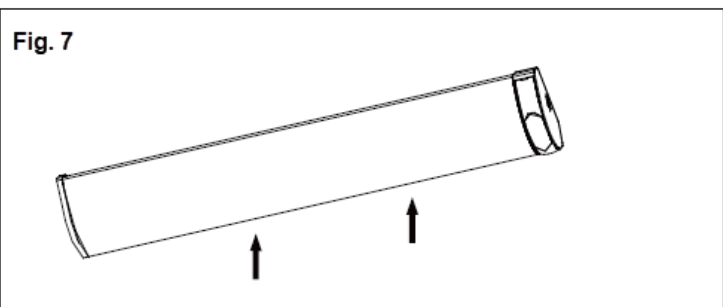


Fig. 7

INSTALLATION: Hanging Kit (not included)

1. Fix the hook and suspend the lamp (Fig. 1)
2. Adjust the hanging rope length (Fig. 2)
3. Adjust the hanging rope placing the LED fixture in a horizontal position. (Fig. 3)
4. Connect the wires according to the wiring diagram. (Fig. 4)
5. Insert the conduit and conduit fitting into the fixture housing. Please find a suitable conduit and conduit fitting for the branch circuit connection. (Fig. 5)

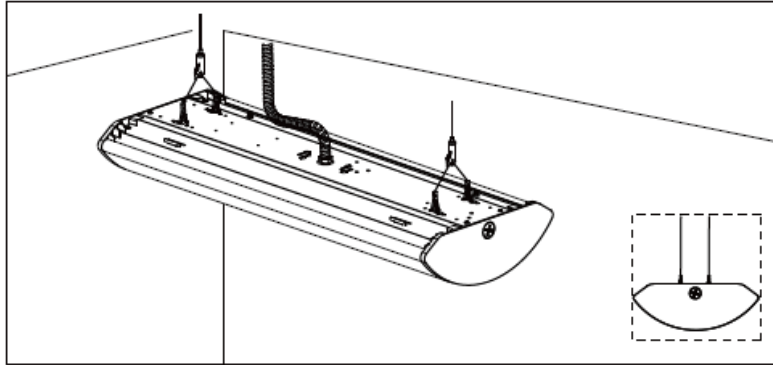


Fig. 1

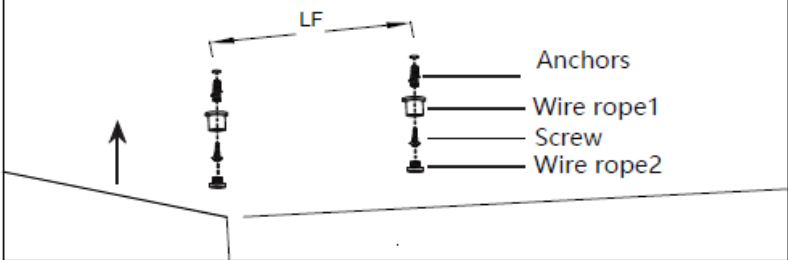


Fig. 2

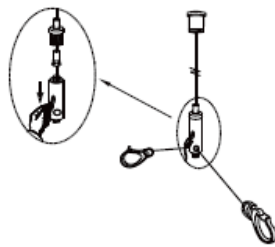


Fig. 3

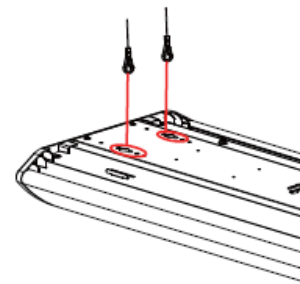


Fig. 4

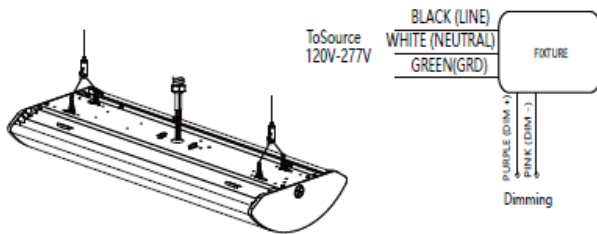
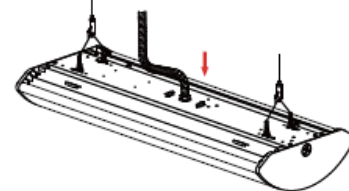


Fig. 5



INSTALLATION: Junction-Box

1. Place the junction box in the desired location for installation with screws (not supplied) Reserve about 1/4" outside. (Fig. 1)
2. Press the PC diffuser hood to remove it. (Fig. 2)
3. Unscrew and remove the back plate. (Fig. 3)
4. Connect the wires according to the wiring diagram and use the provided cables ties to organize the cables and put them into the junction box. (Fig. 4)
5. Align the screws on the junction box to the back of the fixture. Once attached, rotate clockwise. (Fig. 5)
6. Tighten the screws on the front of the fixture back to complete the assembly of the junction box. (Fig. 6)
7. Install the back plate back and the PC diffuser hood. (Fig. 7)

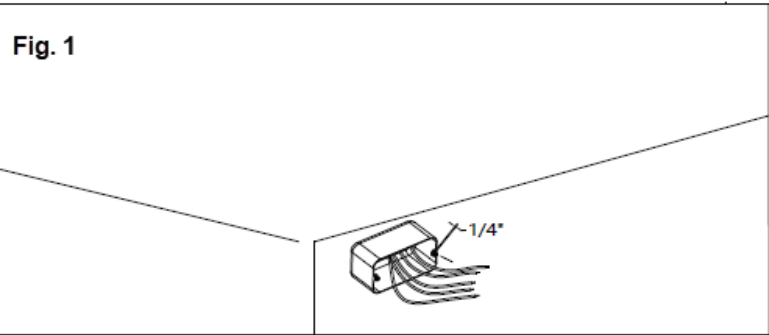
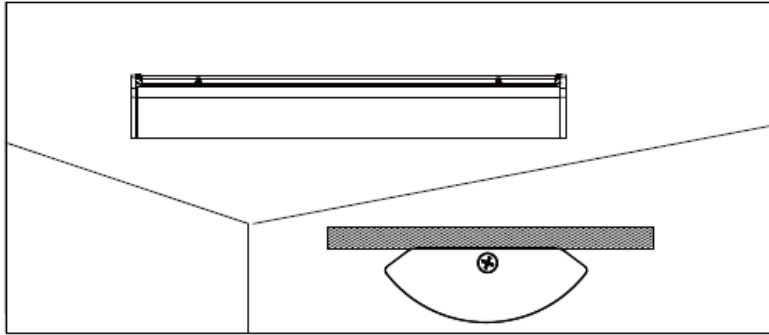


Fig. 1

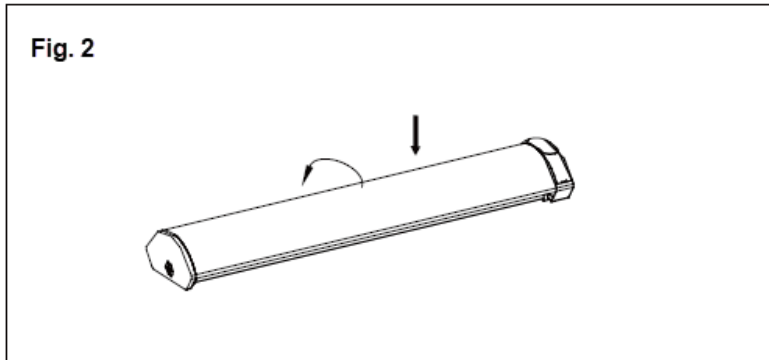


Fig. 2

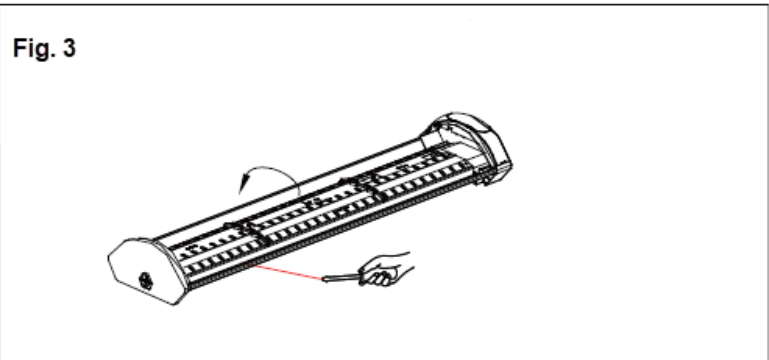


Fig. 3

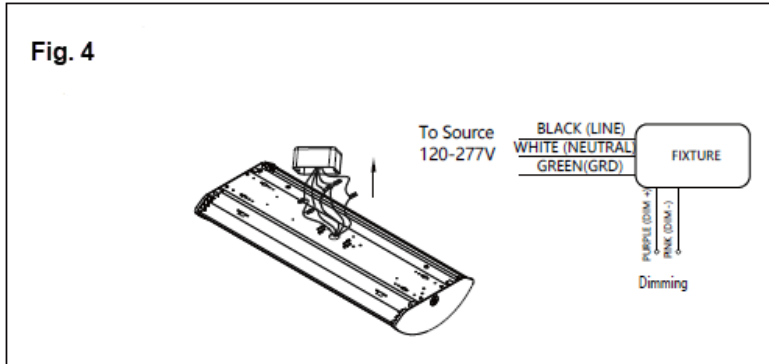


Fig. 4

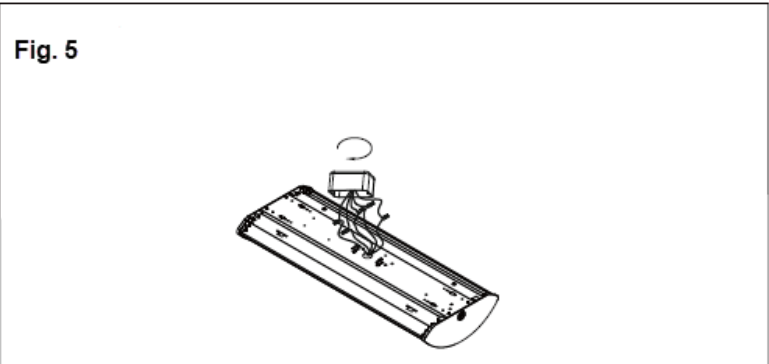


Fig. 5

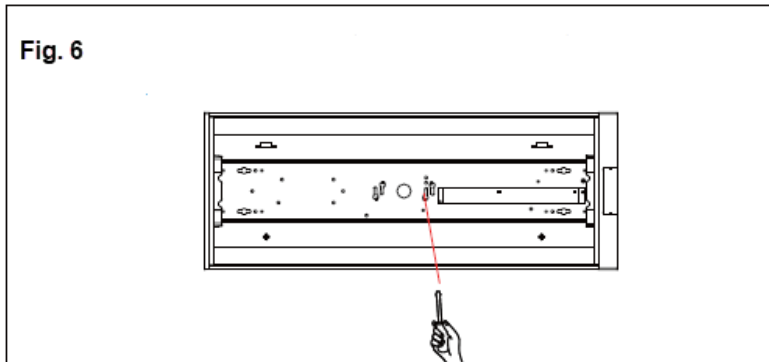


Fig. 6

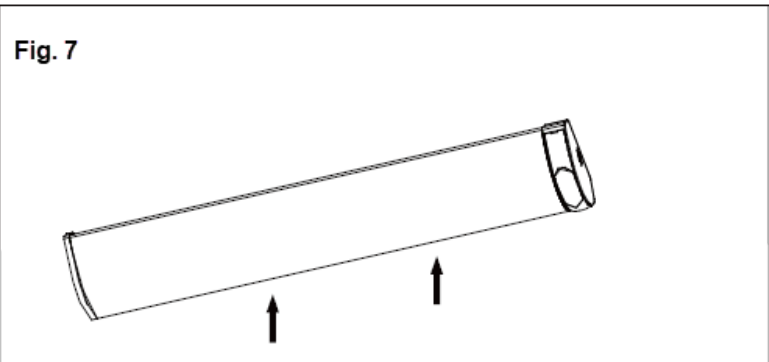
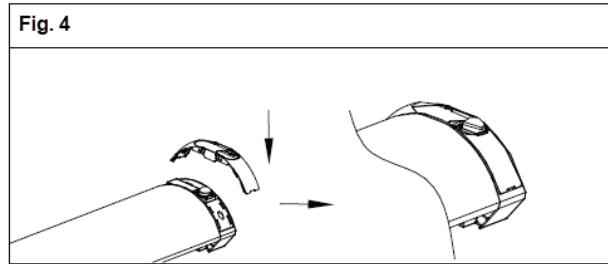
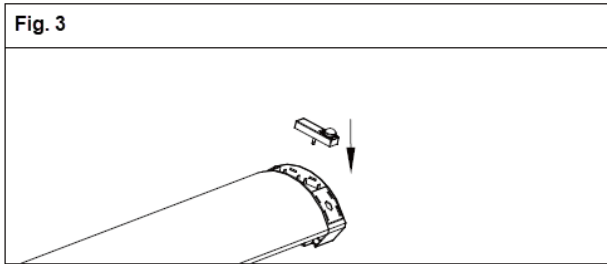
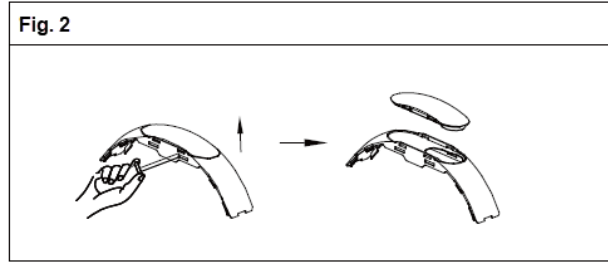
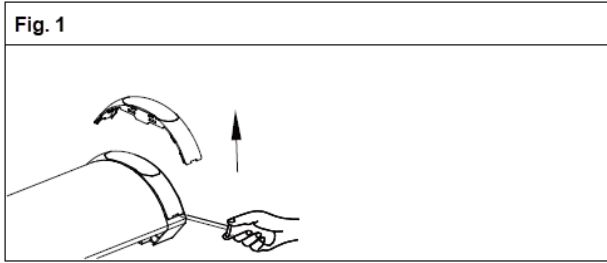


Fig. 7

INSTALLATION: Sensor

1. Use a tool to remove the sensor cover plate. (Fig. 1)
2. Open the small cover. (Fig. 2)
3. Plug in the sensor (purchased separately). (Fig. 3)
4. Plug in the send cover plate and complete the installation. (Fig. 4)



INSTALLATION: Removing the Sensor

1. Press the PC diffuser hood to remove it. (Fig. 1)
2. Use a tool to remove the sensor cover plate. (Fig. 2)
3. Use a tool to remove the sensor. (Fig. 3)
4. Install the small cover back (Fig. 4)
5. Install the cover plate back. (Fig. 5)

