

Date: _____ Location: _____
 Product: _____ Project: _____
 Quantity: _____ Catalog #: _____

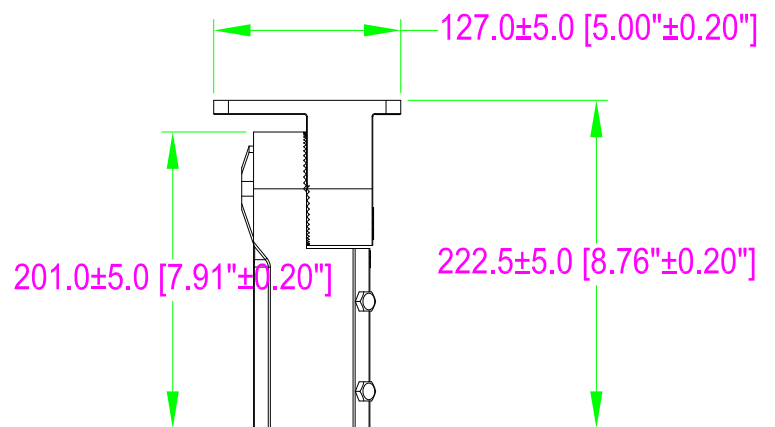
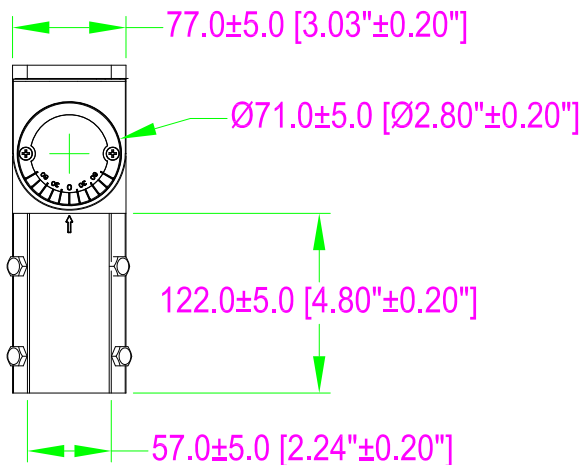
Slip fitter for Stadium Lighting



Compatible With:

- LOC-SP-MW(450/600/750)50K-LV
- LOC-SP-MW(800/1000/1200)50K-LV
- LOC-SP-MW(450/600/750)50K-HV
- LOC-SP-MW(800/1000/1200)50K-HV

MEASUREMENTS



MODEL	QTY	NET WEIGHT	MASTER CARTON SIZE	GROSS WEIGHT	PCS CTN	UPC CODE
Slip fitter for LOC-SP	1	lbs	" x " x "	lbs		