



80W / 120W / 150W



200W / 250W / 300W

#### CONSTRUCTION:

Aluminum housing. White housing.

#### OPTICAL SYSTEM:

Lumileds SMD 2835 LED chips. 90° beam angle. Type V diffuser.

#### WARRANTY:

5-year limited warranty. Actual performance may differ as a result of end-user environment and application.

#### ELECTRICAL:

Available as 120-277V input.

**Operating Temperature:** without Motion Sensor or Emergency Power Supply: -40°C to 65°C, -40°F to 149°F

**Temperature With Motion Sensor:** -30°C to 60°C, -22°F to 140°F

**Temperature With Emergency Power Supply:** 0°C to 60°C, 32°F to 140°F

#### INSTALLATION & MOUNTING:

Hanging chain mounting.

#### CONTROLS & DIMMING:

0-10V dimming comes standard.



#### CCT Selectable:

- 3,500K
- 4,000K
- 5,000K

#### DLC Product ID:

- LOC-FGLHB-MW(80/120/150)MCCT(35/40/50) – S-HH3TVL
- LOC-FGLHB-MW(200/250/300)MCCT(35/40/50) – S-VW71R8

### FEATURES

- **Default Wattage:**
  - 150W
  - 300W
- **Default CCT:**
  - 5,000K
- **NSF rated for Food Zone, Splash Zone and Non-Food Zone**
- Instant start, no flickering, no humming
- IP69K (1500PSI hose spray)
- Easy installation and maintenance
- 50,000 hours lifetime

### SUITABLE APPLICATIONS

- Warehouses
- Factories
- Supermarkets
- Logistic Centers
- Exhibition Halls

#### MOUNTING OPTION:



Chain



#### OPTIONAL ACCESSORIES:



Remote Control  
LOC-RC-WHITE-G1



Microwave Sensor  
LOC-ACY-S-MWS-01-G1  
(Compatible with LOC-RC-WHITE-G1)



Microwave Bluetooth Sensor  
LOC-ACY-S-MWS-BT-01-G1  
(Compatible with App)



PIR Sensor  
LOC-ACY-S-PIRS-01-G1  
(Compatible with LOC-RC-WHITE-G1)

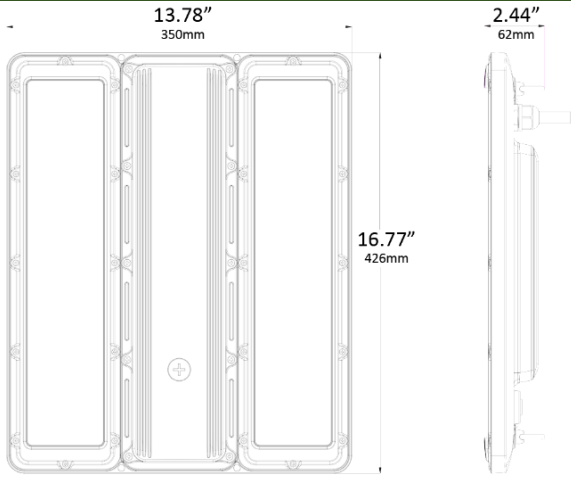


PIR Bluetooth Sensor  
LOC-ACY-S-PIRS-BT-01-G1  
(Compatible with App)

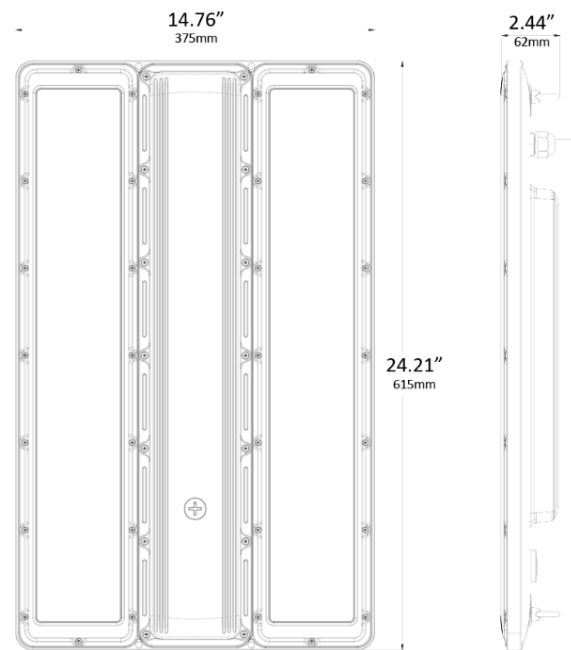
LOC-FGLHB-MW(80/120/150)MCCT(35/40/50)								
WATTAGE SELECTABLE	WATTAGE SELECTABLE	WATTAGE SELECTABLE	WATTAGE SELECTABLE	WATTAGE SELECTABLE	WATTAGE SELECTABLE	WATTAGE SELECTABLE	WATTAGE SELECTABLE	WATTAGE SELECTABLE
80W	80W	80W	80W	80W	80W	80W	80W	80W
120W	120W	120W	120W	120W	120W	120W	120W	120W
150W	150W	150W	150W	150W	150W	150W	150W	150W
LOC-FGLHB-MW(200/250/300)MCCT(35/40/50)								
WATTAGE SELECTABLE	WATTAGE SELECTABLE	WATTAGE SELECTABLE	WATTAGE SELECTABLE	WATTAGE SELECTABLE	WATTAGE SELECTABLE	WATTAGE SELECTABLE	WATTAGE SELECTABLE	WATTAGE SELECTABLE
200W	200W	200W	200W	200W	200W	200W	200W	200W
250W	250W	250W	250W	250W	250W	250W	250W	250W
300W	300W	300W	300W	300W	300W	300W	300W	300W

# MEASUREMENTS

**LOC-FGLHB-MW(80/120/150)MCCT(35/40/50)**



**LOC-FGLHB-MW(200/250/300)MCCT(35/40/50)**



MODEL	QTY	NET WEIGHT	MASTER CARTON SIZE	GROSS WEIGHT	PCS CTN	UPC CODE
LOC-FGLHB-MW(80/120/150)MCCT(35/40/50)	1	10.58lbs	17.72" x 14.57" x 3.94"	12.79lbs	1	00810050948005
LOC-FGLHB-MW(200/250/300)MCCT(35/40/50)	1	16.09lbs	25.39" x 15.75" x 3.94"	18.74lbs	1	00810050948012